

NUCRAFT

Cambium Installation Instructions

ID:

Before Beginning Installation

- Read through the entire instruction thoroughly
- A minimum of 2 persons is required for this assembly
- These instructions reflect typical assemblies. They may not match your specific configuration.

Required Tools

- Drill Driver
- #2 and #3 Phillips Bit
- 3/8" Nut Driver
- 5/32 Hex Drive
- Square Drive
- Vix Bit (Centering Bit)
- Level
- If applicable – Draw Tight Fastener Tool is provided

Provided Hardware

Draw Tight Fastener

HW0058



HW0613



HW0747



HW0902



I-Connector
Bolts

HW1380



HW1381



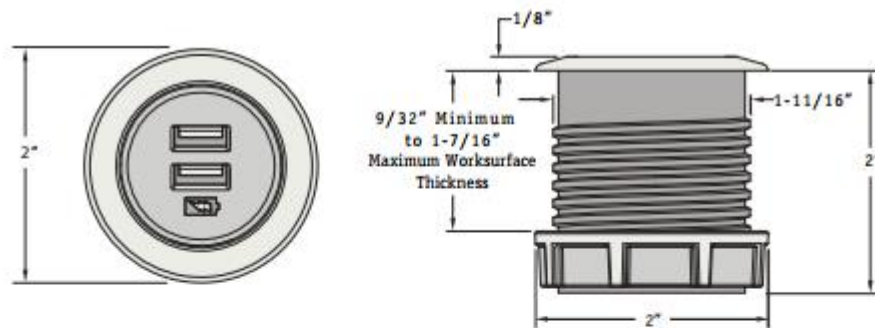
HW4640



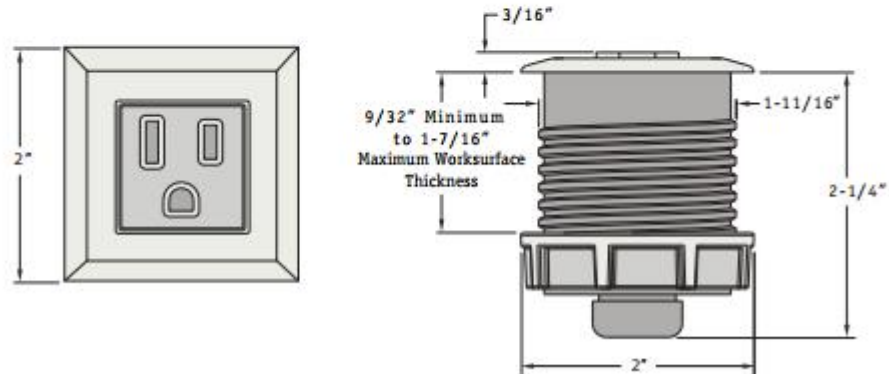
Power Options

- Salt – Dual charging USB
- Pepper – All Power
- Grommets – Wire Management

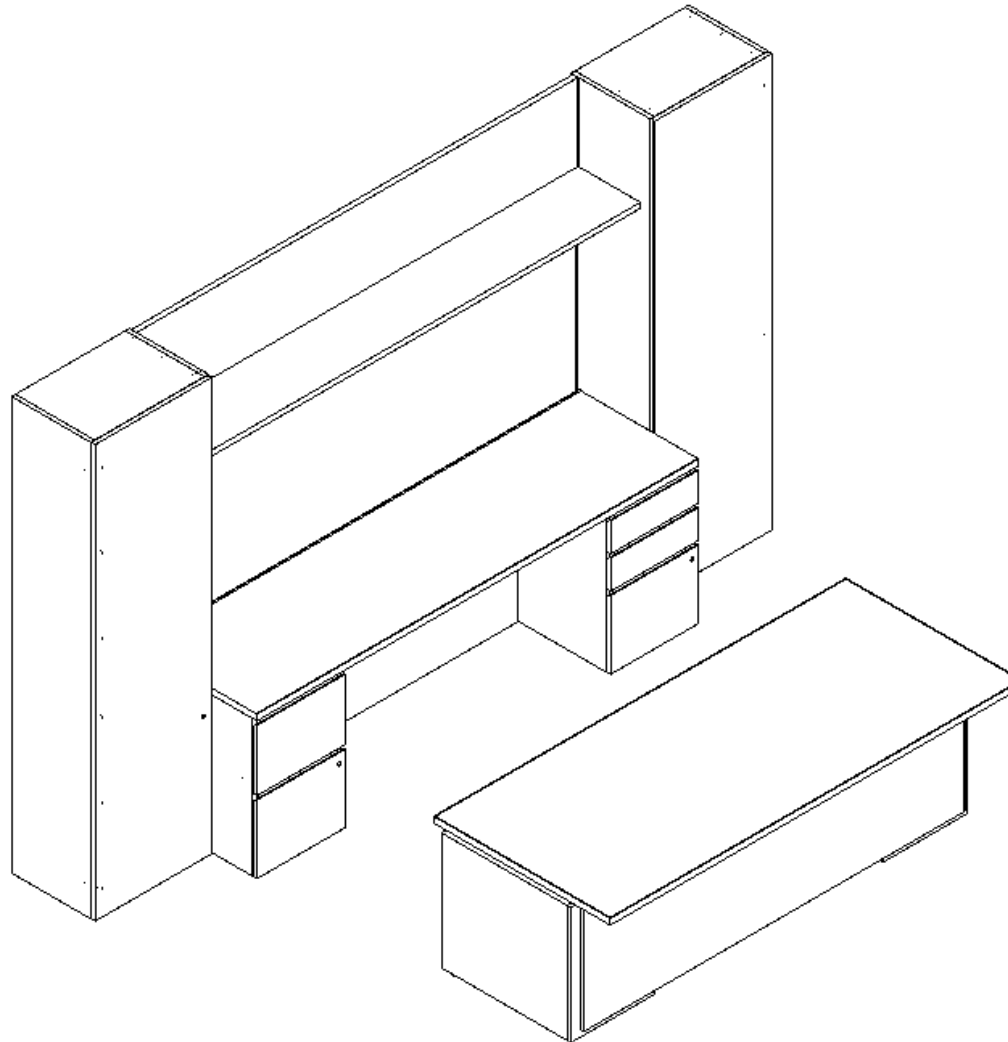
Salt



Pepper

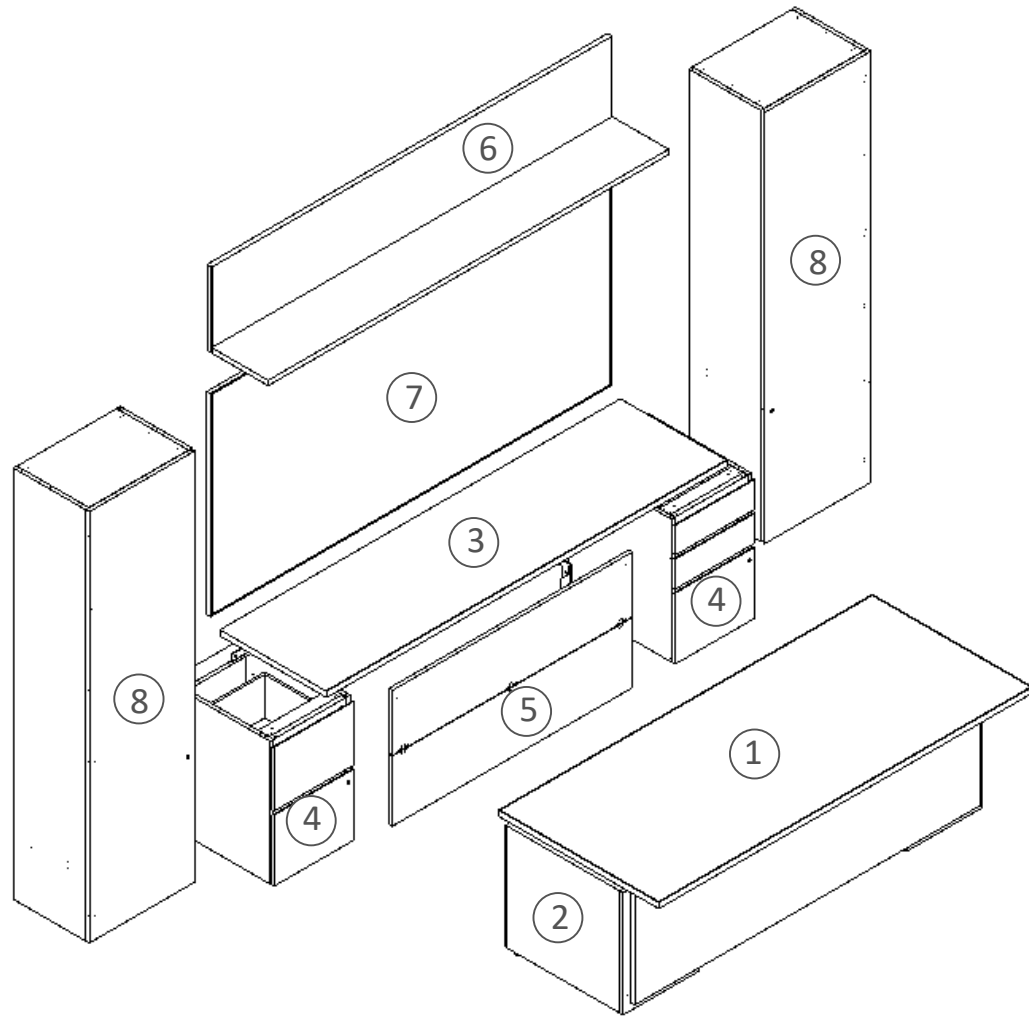


Typical CAM-01-FS

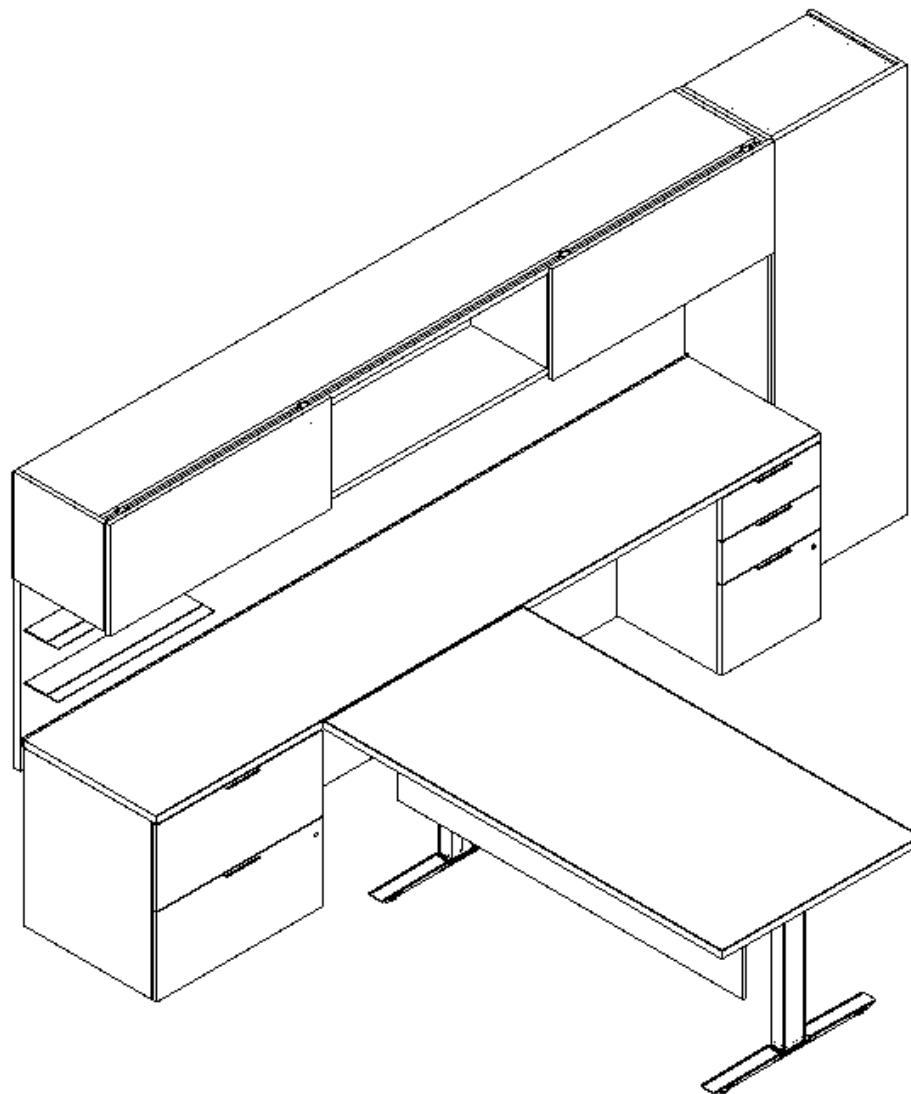


Typical CAM-01-FS Exploded

1. Work Surface
2. Height Adjustable Support
3. Credenza Work Surface
4. Credenza Support
5. Access Panel Overhead
6. Back Panel
7. Tower

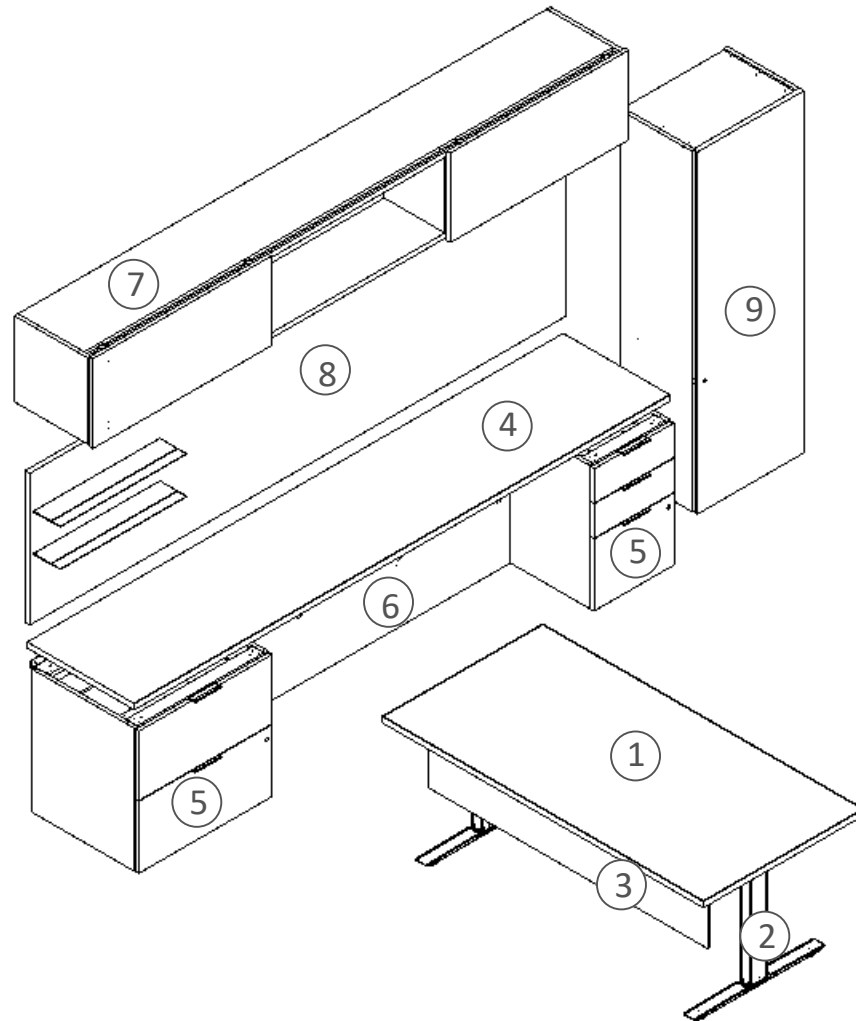


Typical CAM-02-L

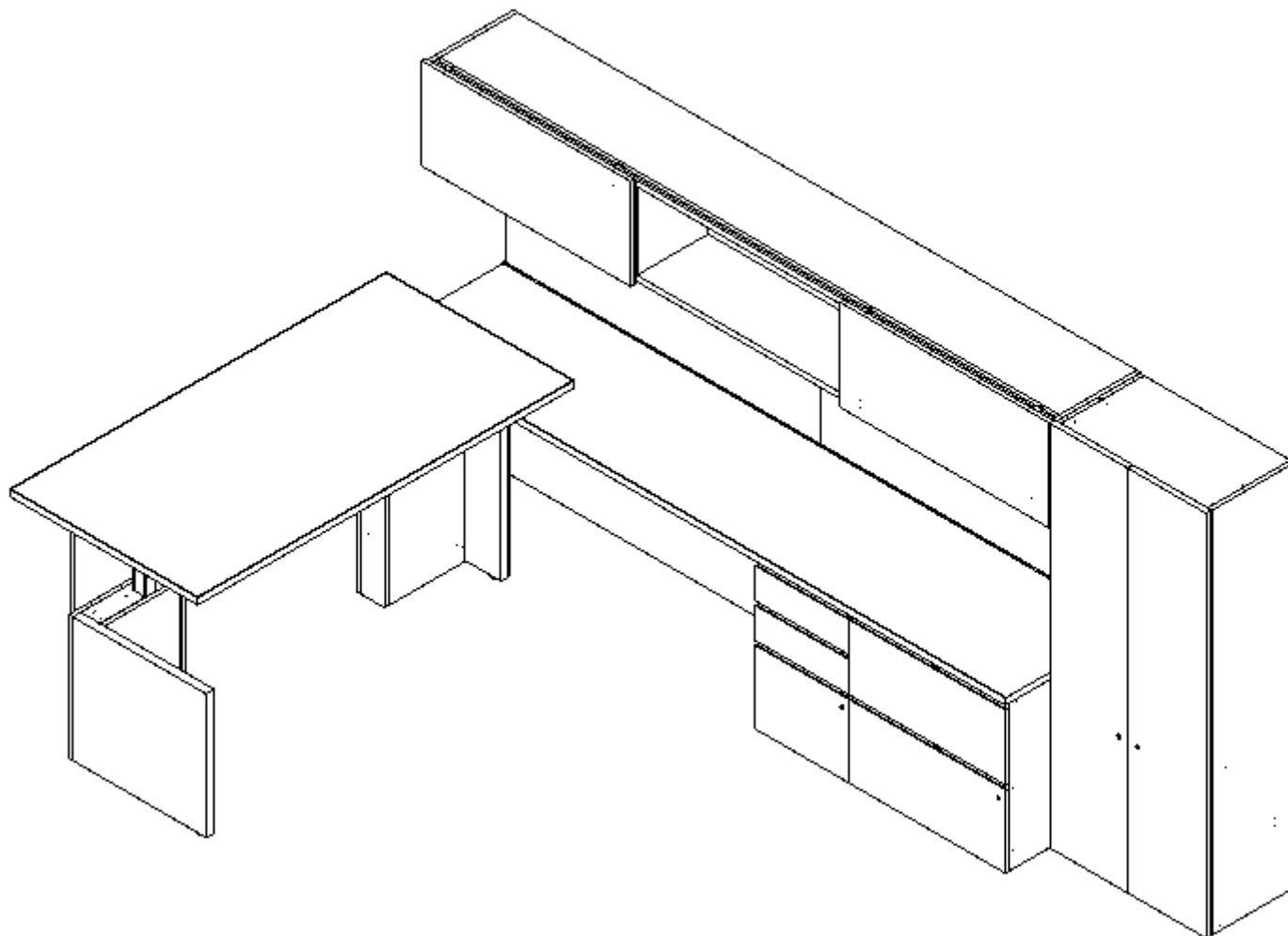


Typical CAM-02-L Exploded

1. Work Surface
2. Height Adjustable Support
3. Modesty Panel
4. Credenza Work Surface
5. Access Panel
6. Overhead
7. Back Panel
8. Tower

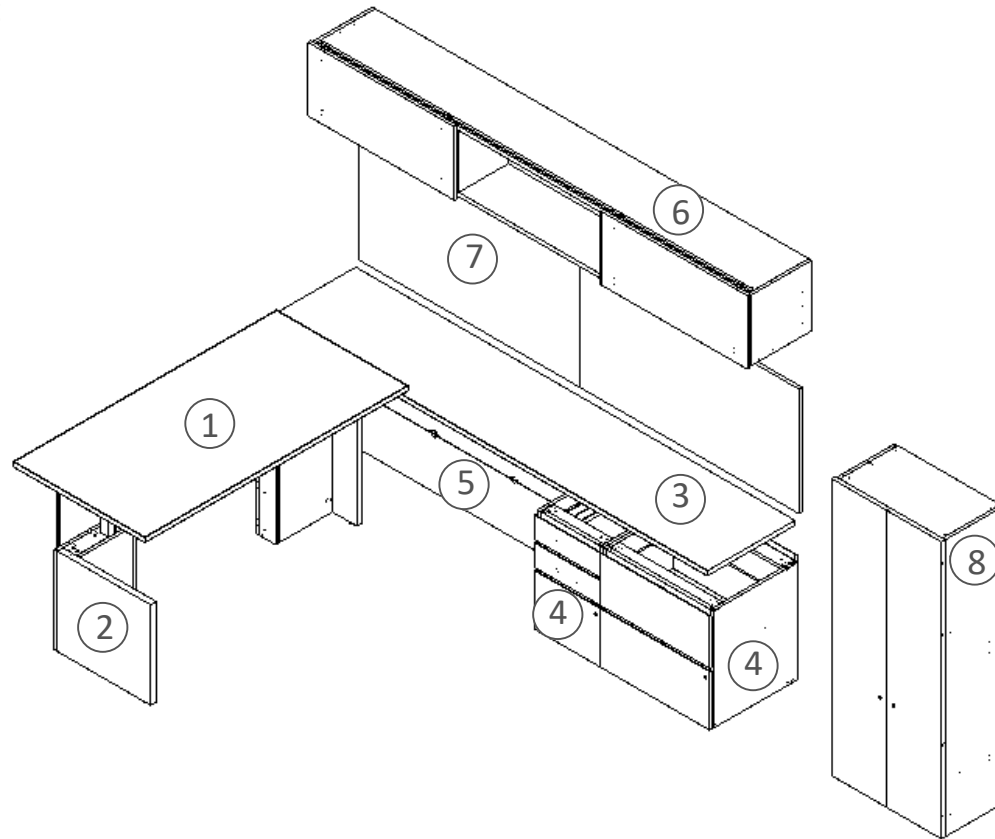


Typical CAM-03-L

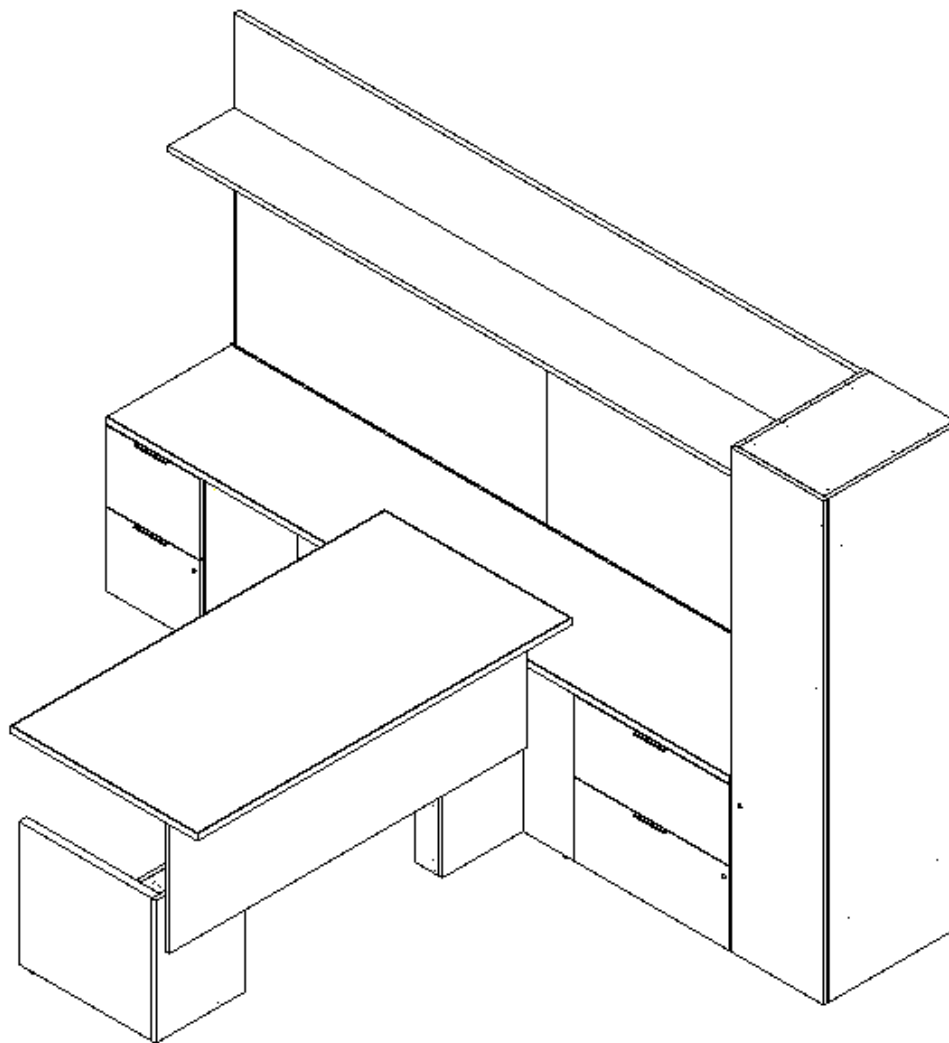


Typical CAM-03-L Exploded

1. Work Surface
2. Height Adjustable Support
3. Credenza Work Surface
4. Credenza Support
5. Access Panel
6. Overhead
7. Back Panel
8. Tower

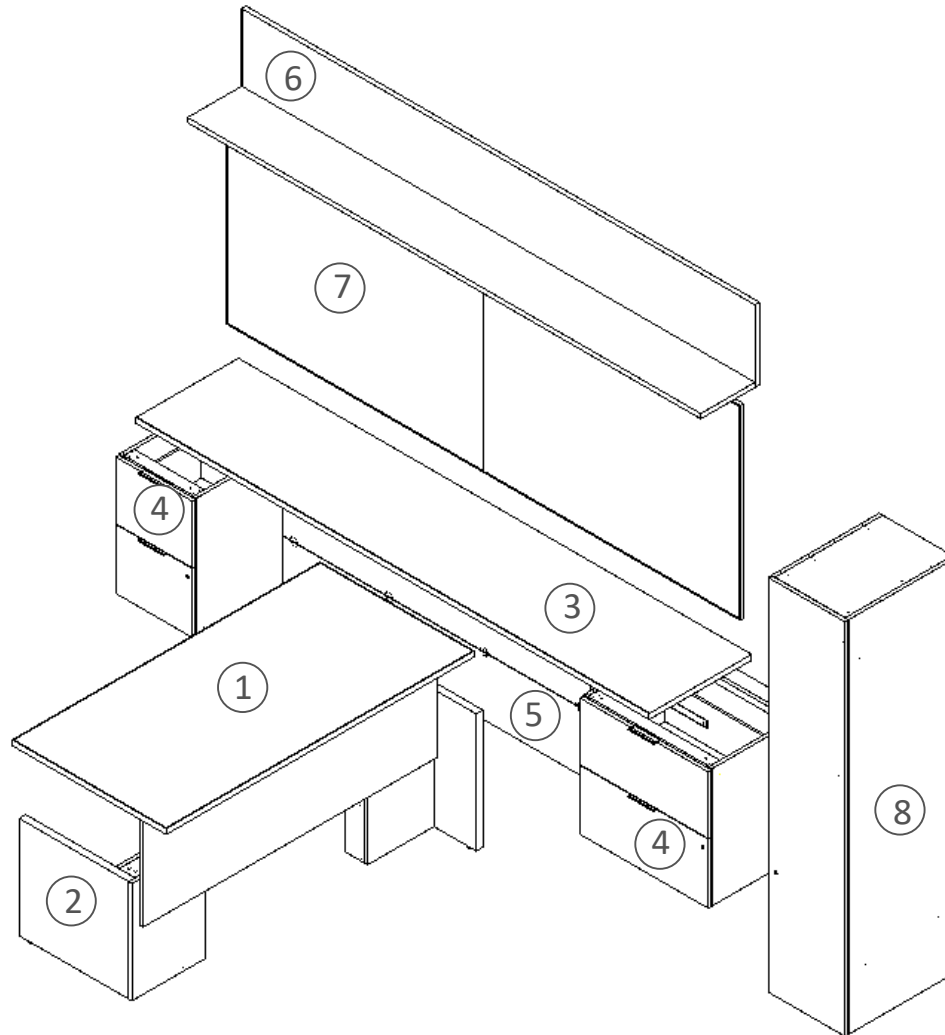


Typical CAM-04-T

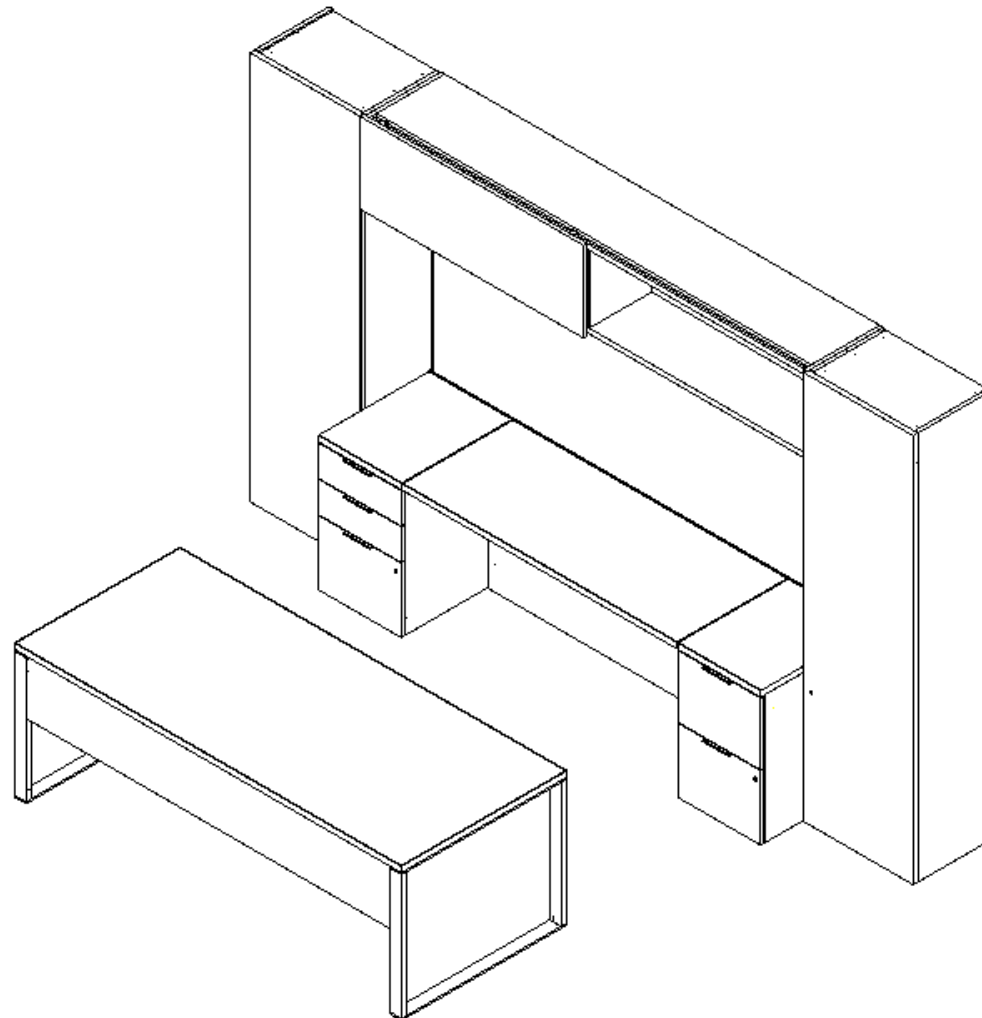


Typical CAM-04-T Exploded

1. Work Surface
2. Height Adjustable Supp
3. Credenza Work Surface
4. Credenza Support
5. Access Panel
6. Overhead
7. Back Panel
8. Tower

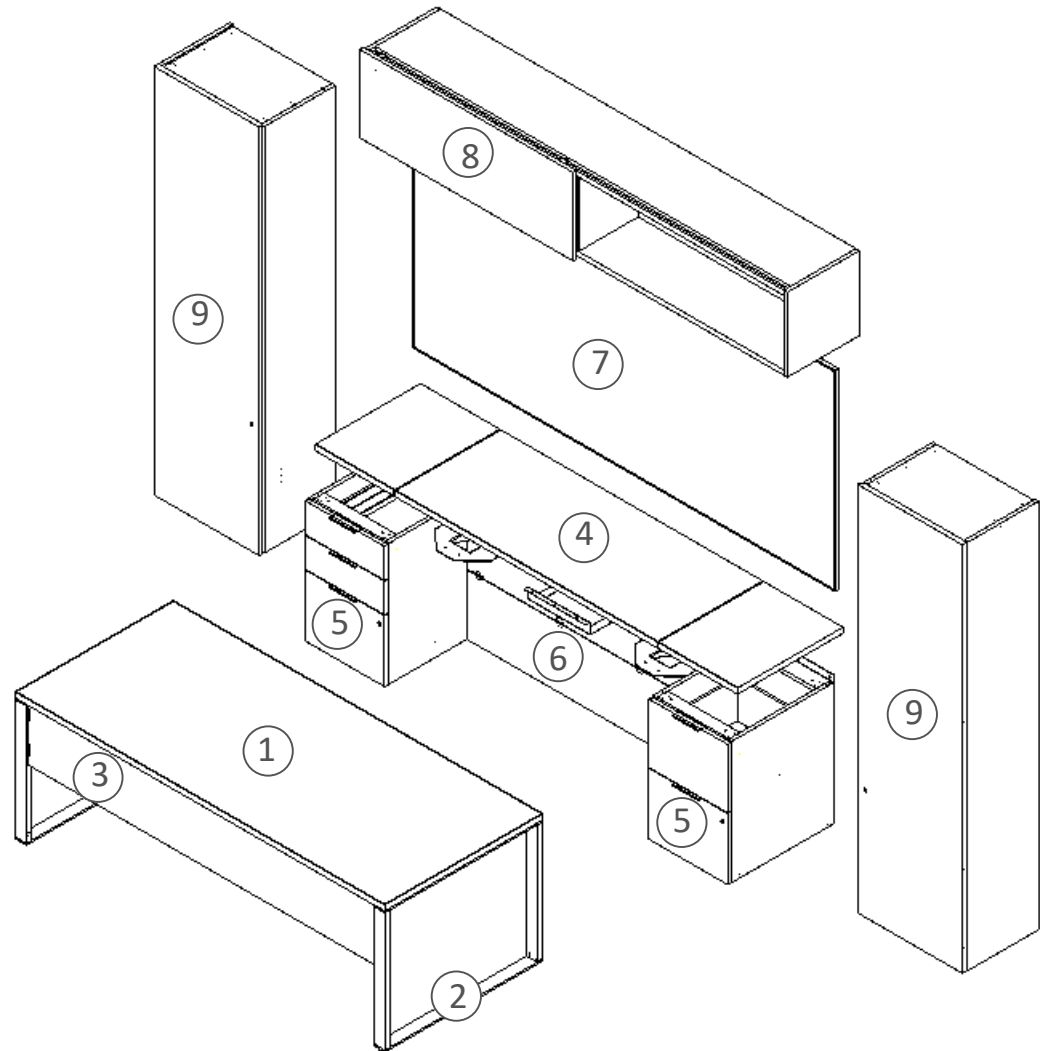


Typical CAM-05-FS

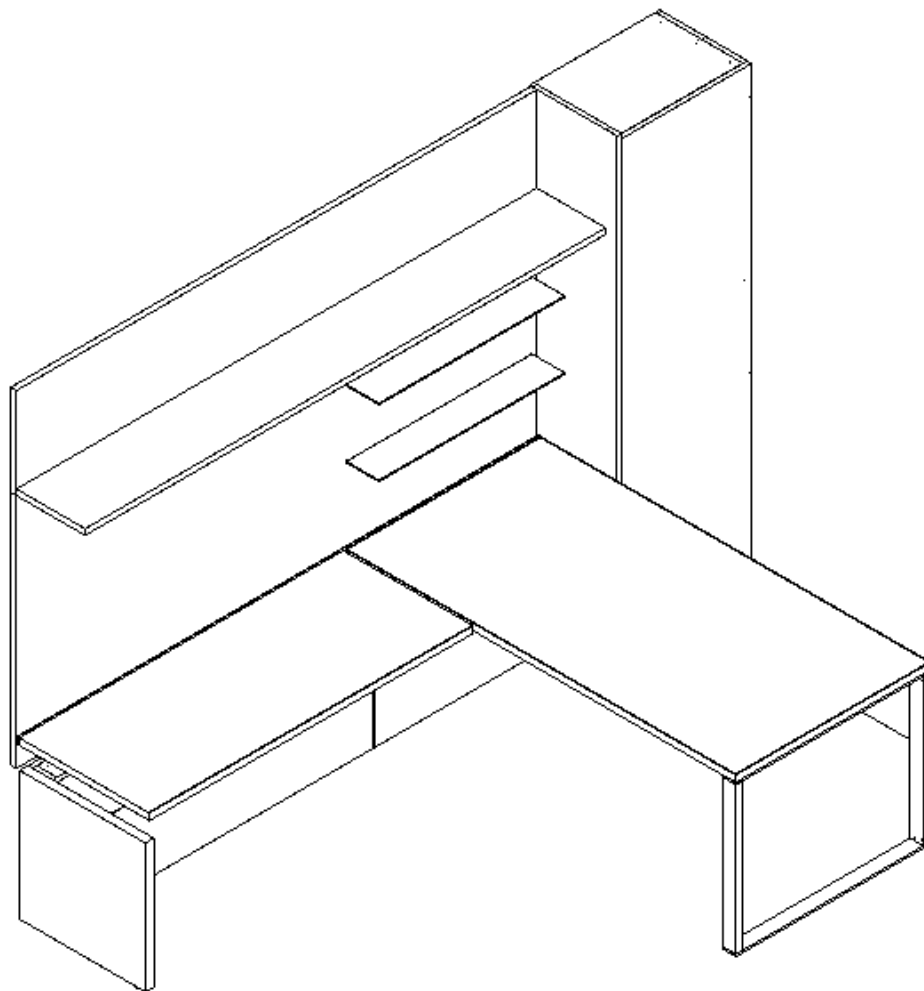


Typical CAM-05-FS Exploded

1. Work Surface
2. Work Surface Support
3. Modesty Panel
4. Credenza Work Surface
5. Access Panel
6. Back Panel
7. Overhead
8. Tower

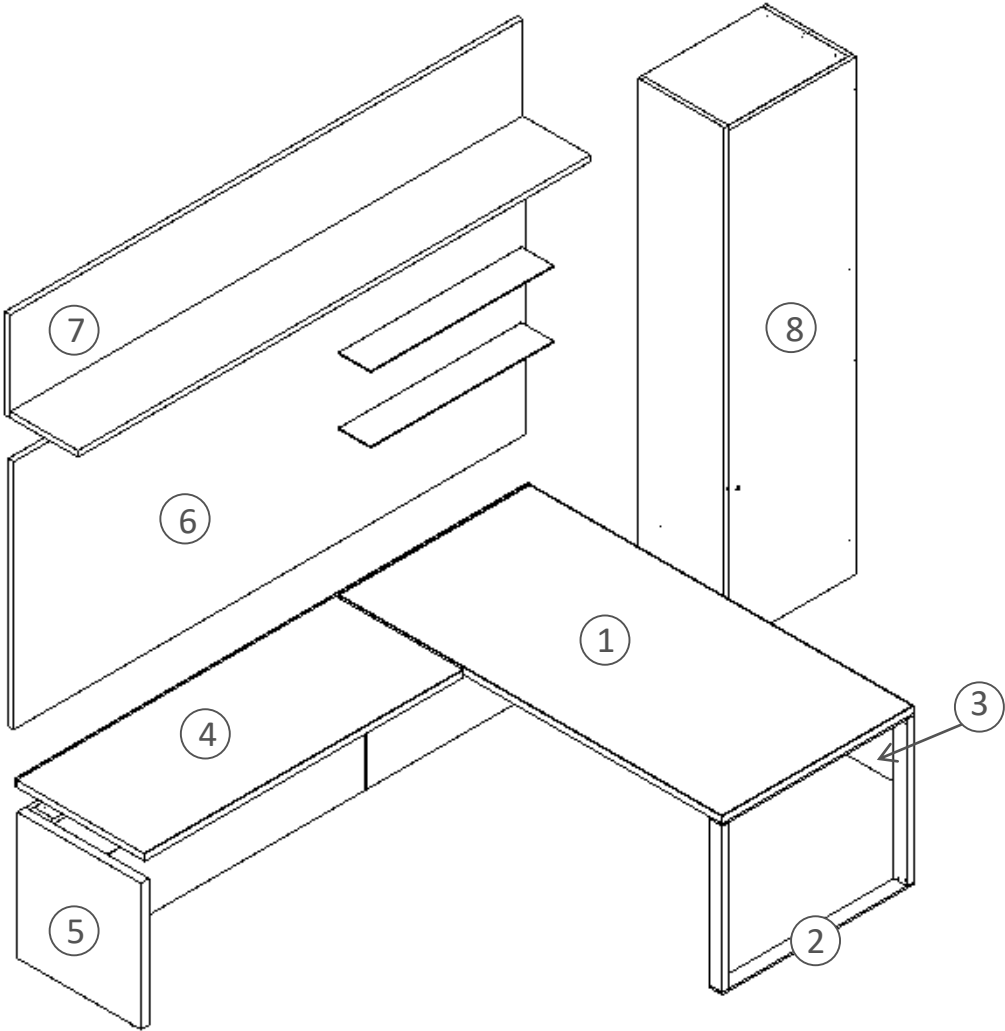


Typical CAM-06-L

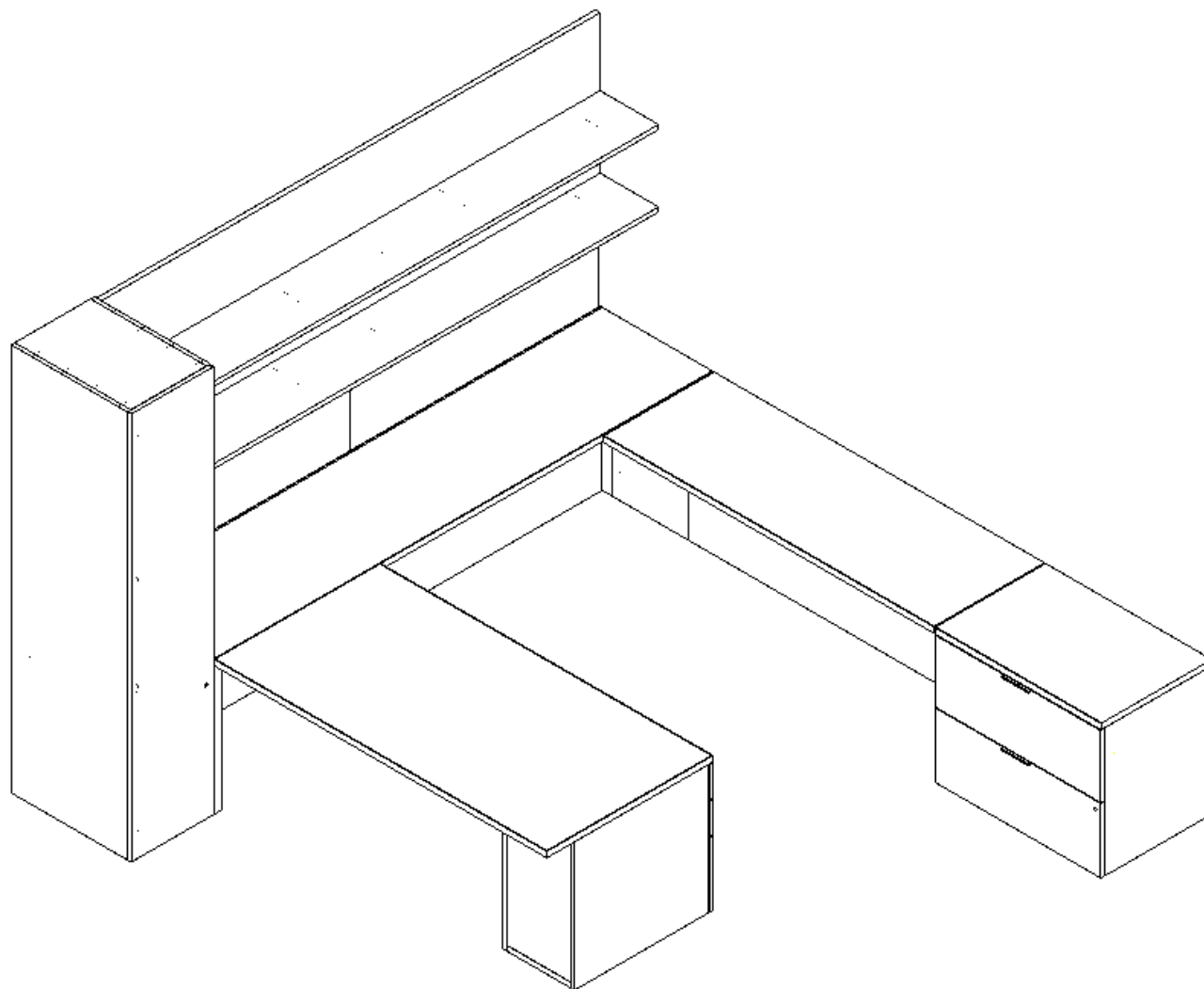


Typical CAM-06-L Exploded

- 1. Work Surface
- 2. Work Surface Support
- 3. Modesty Panel
- 4. Run-Off Return Work Surface
- 5. Run-Off Return Support
- 6. Back Panel
- 7. Overhead
- 8. Tower

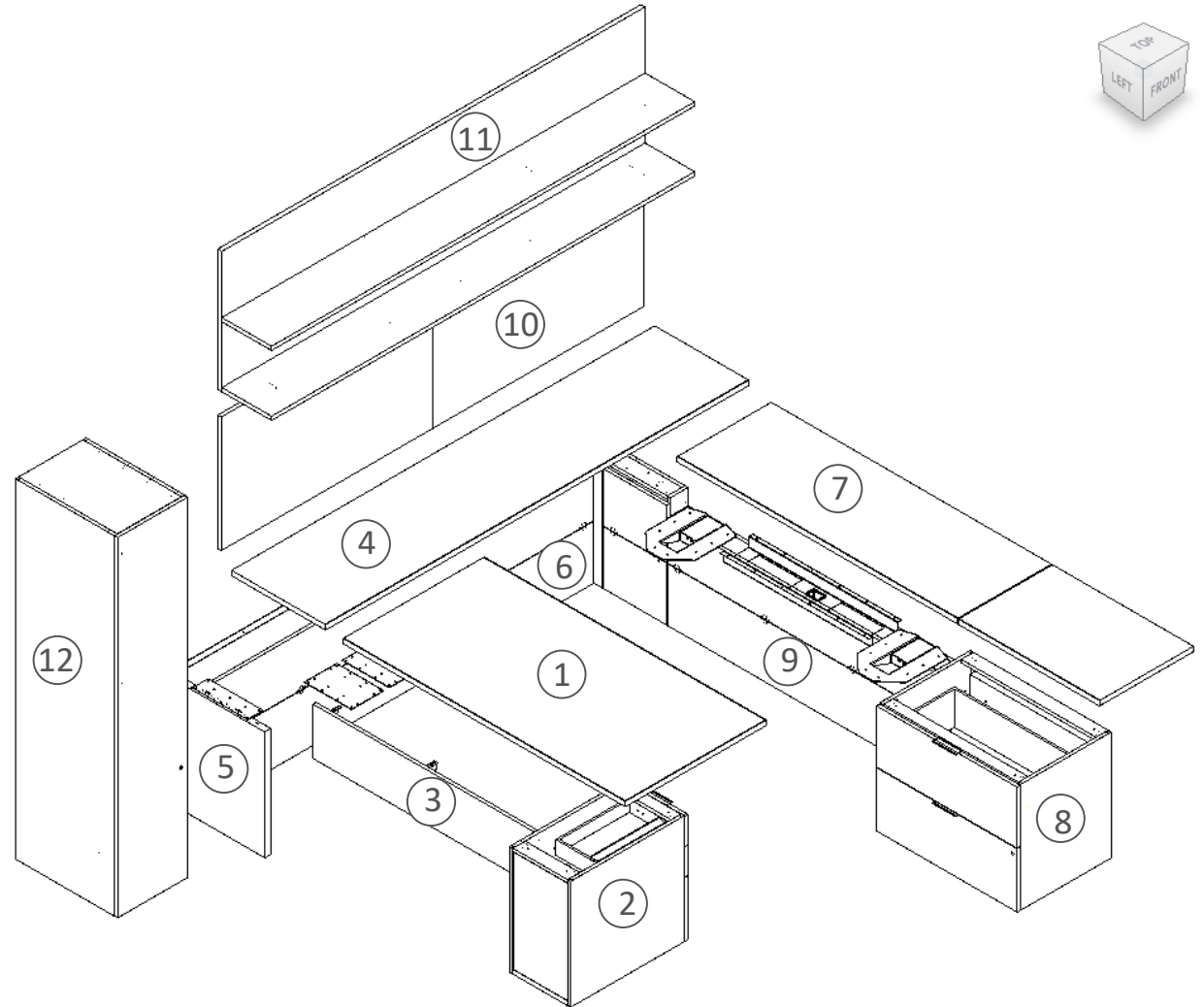


Typical CAM-07-U

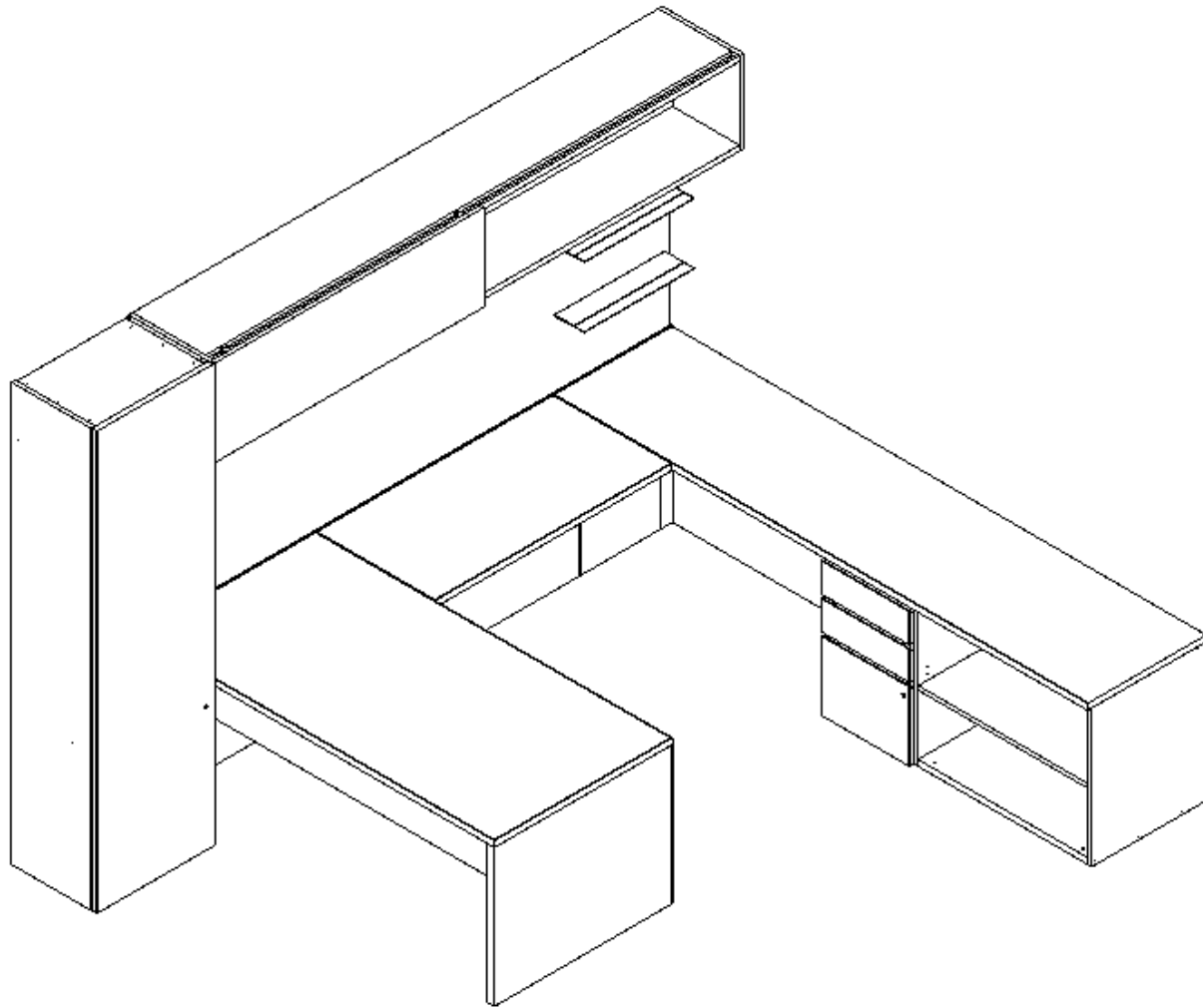


Typical CAM-07-U Exploded

1. Work Surface
2. Work Surface Support
3. Modesty Panel
4. Credenza Work Surface
5. Credenza Support
6. Access Panel
7. Run-Off Work Surface
8. Run-Off Support
9. Run-Off Height Adjustable Support
10. Back Panel
11. Overhead
12. Tower

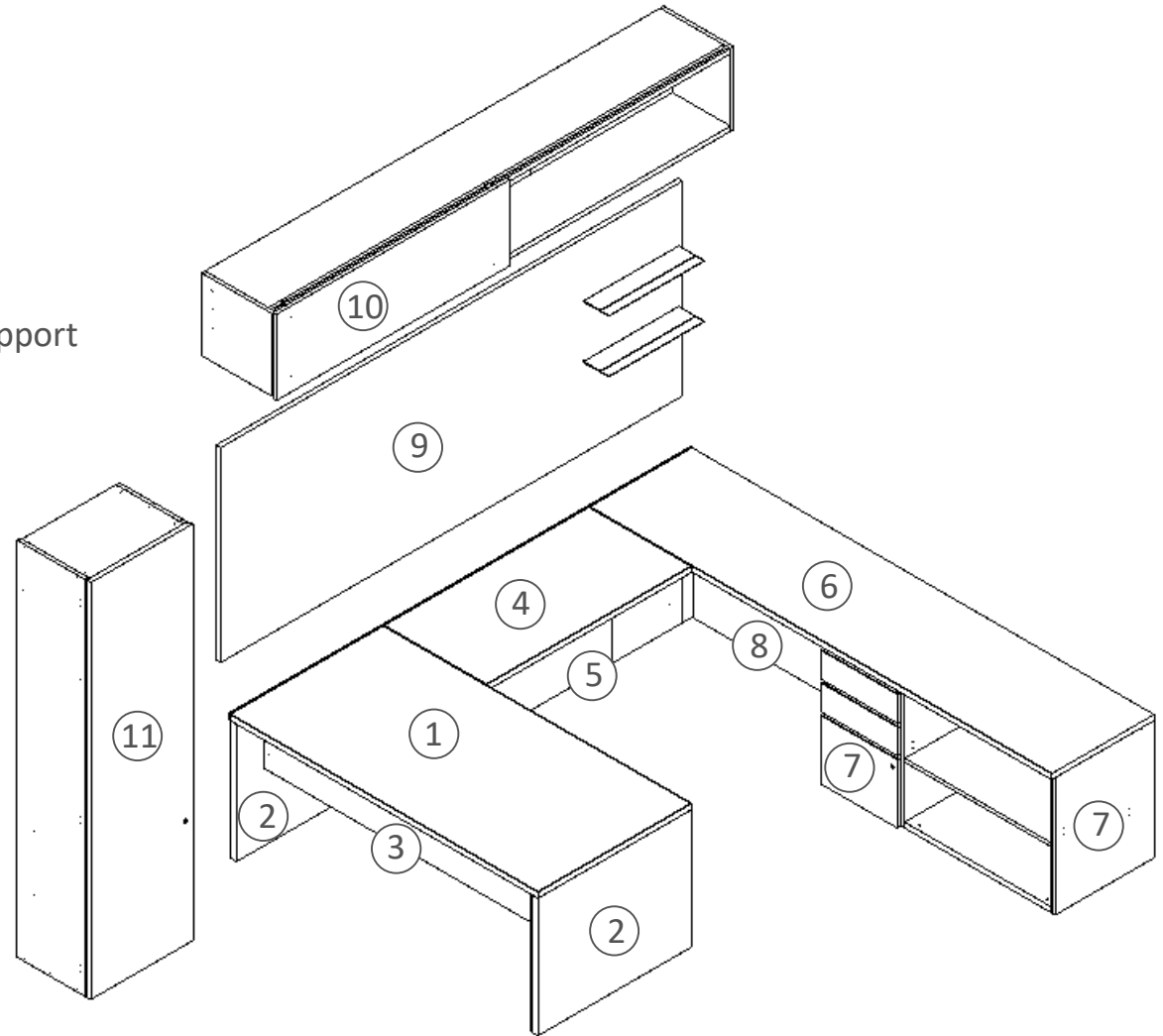


Typical CAM-08-U

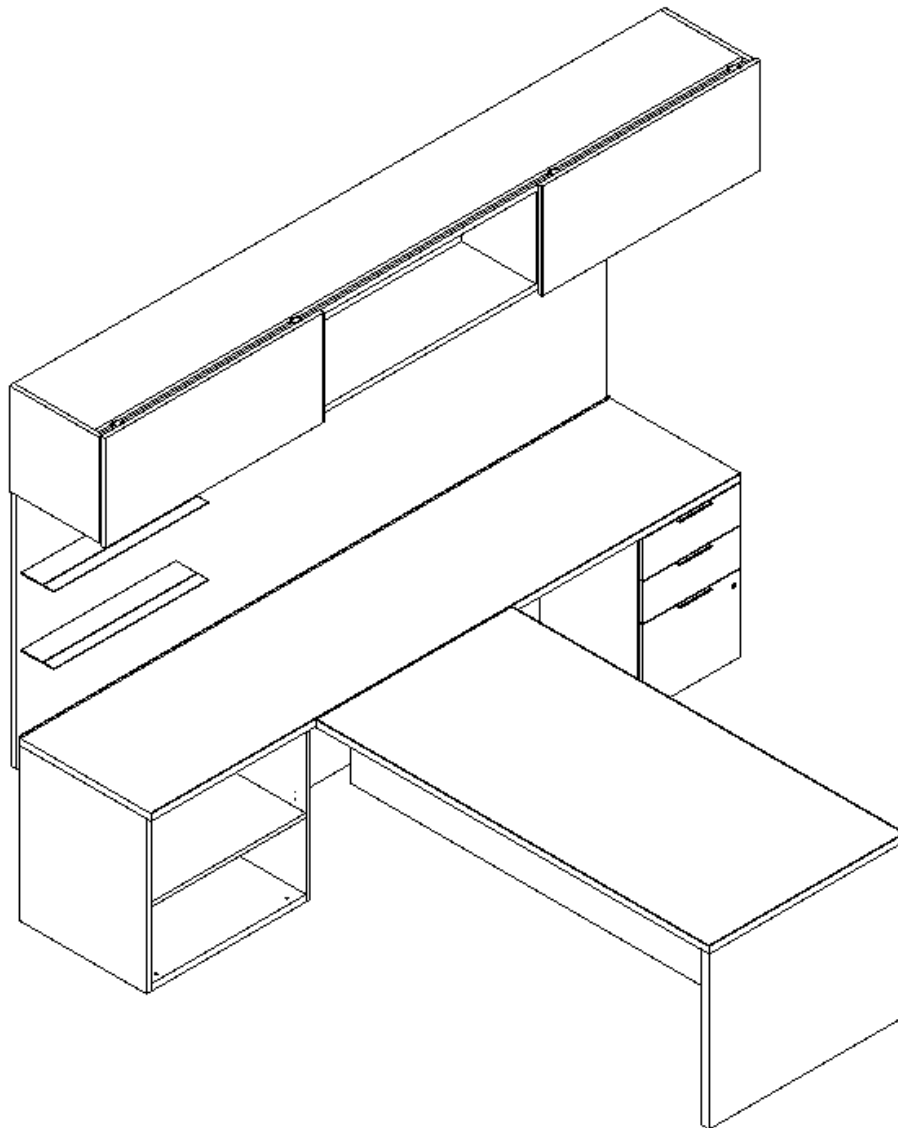


Typical CAM-08-U Exploded

1. Work Surface
2. Work Surface Support
3. Modesty Panel
4. Bridge Work Surface
5. Adjustable Work Surface Support
6. Credenza Work Surface
7. Credenza Support
8. Access Panel
9. Back Panel
10. Overhead
11. Tower

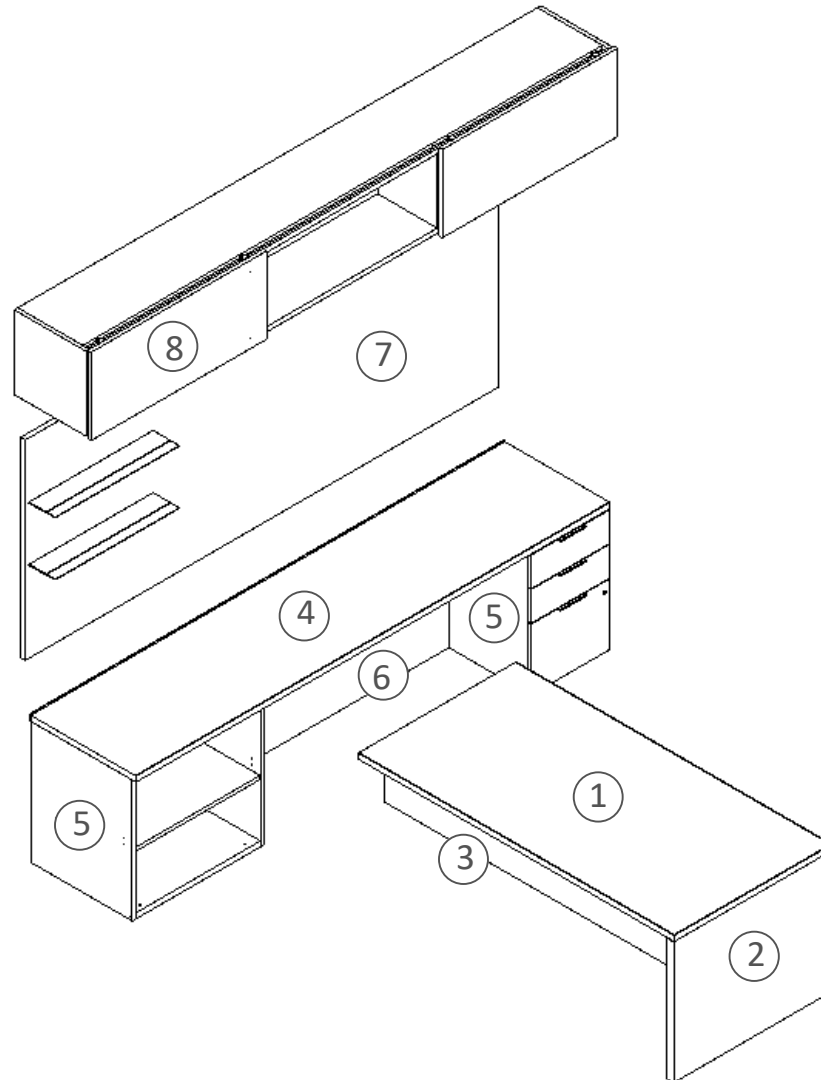


Typical CAM-09-T

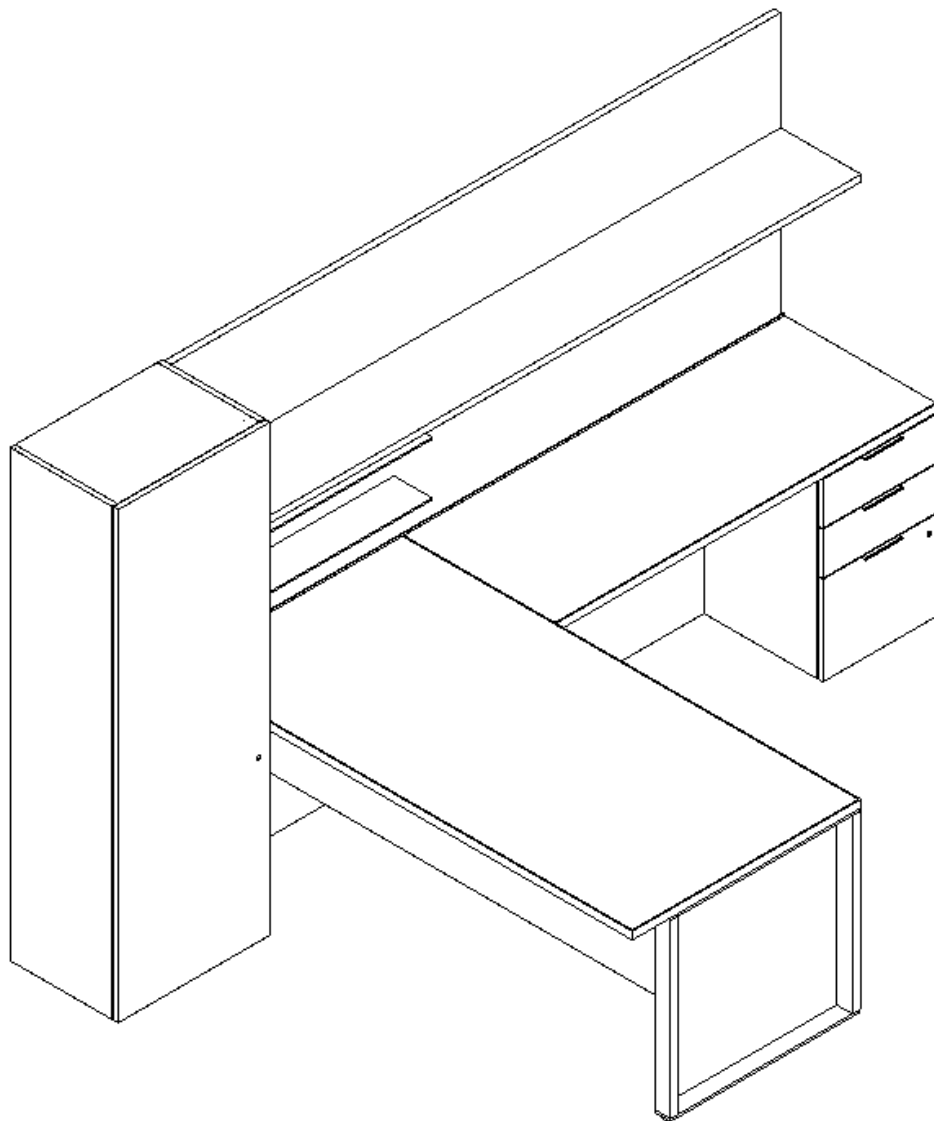


Typical CAM-09-T Exploded

1. Work Surface
2. Work Surface Support
3. Modesty Panel
4. Credenza Work Surface
5. Credenza Support
6. Access Panel
7. Overhead
8. Back Panel

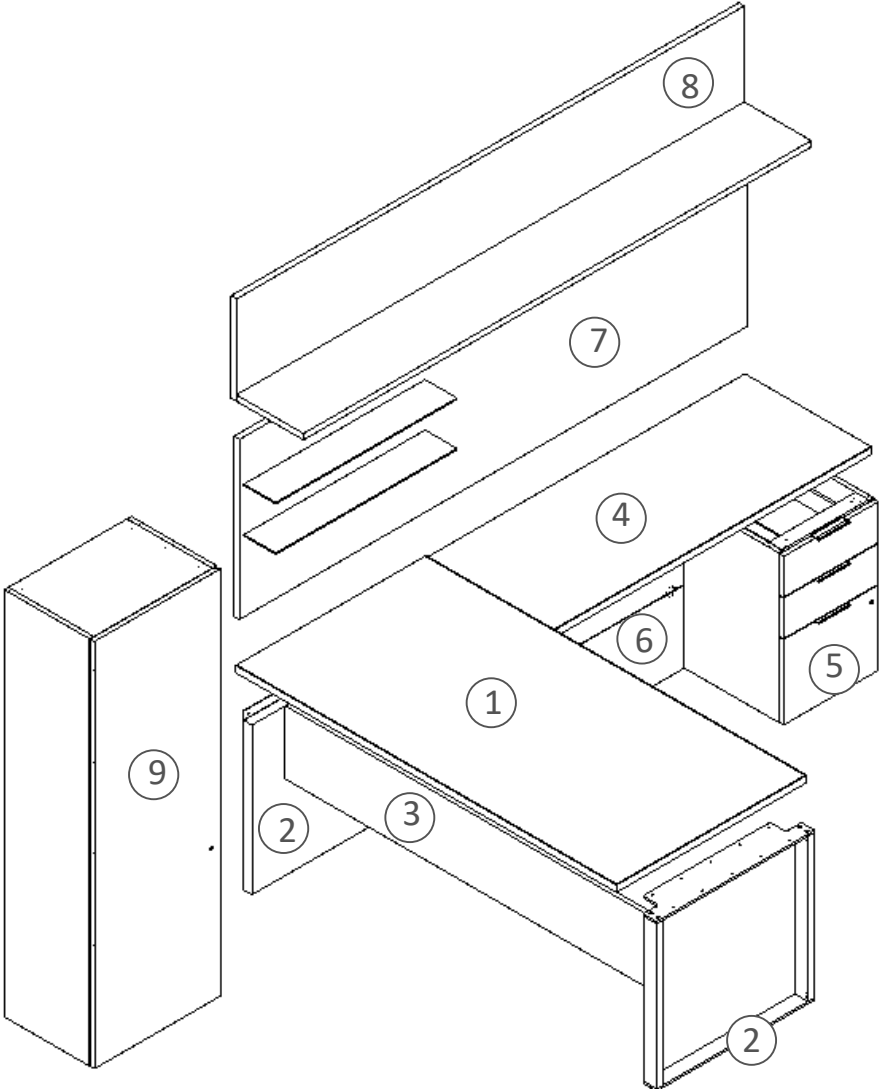


Typical CAM-10-L

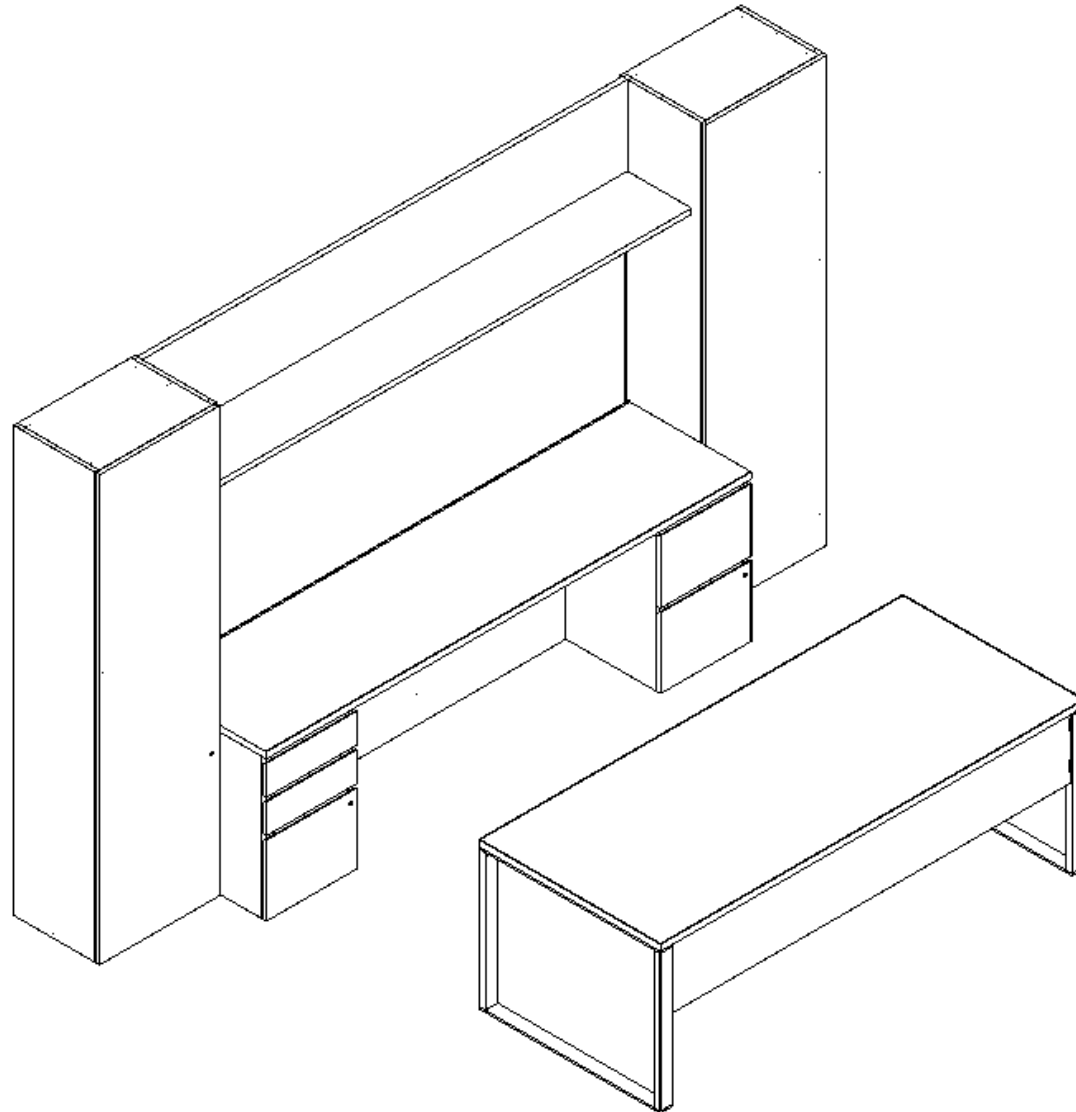


Typical CAM-10-L Exploded

- 1. Work Surface
- 2. Work Surface Support
- 3. Modesty Panel
- 4. Run-Off Work Surface
- 5. Run-Off Support
- 6. Access Panel
- 7. Back Panel
- 8. Overhead
- 9. Tower

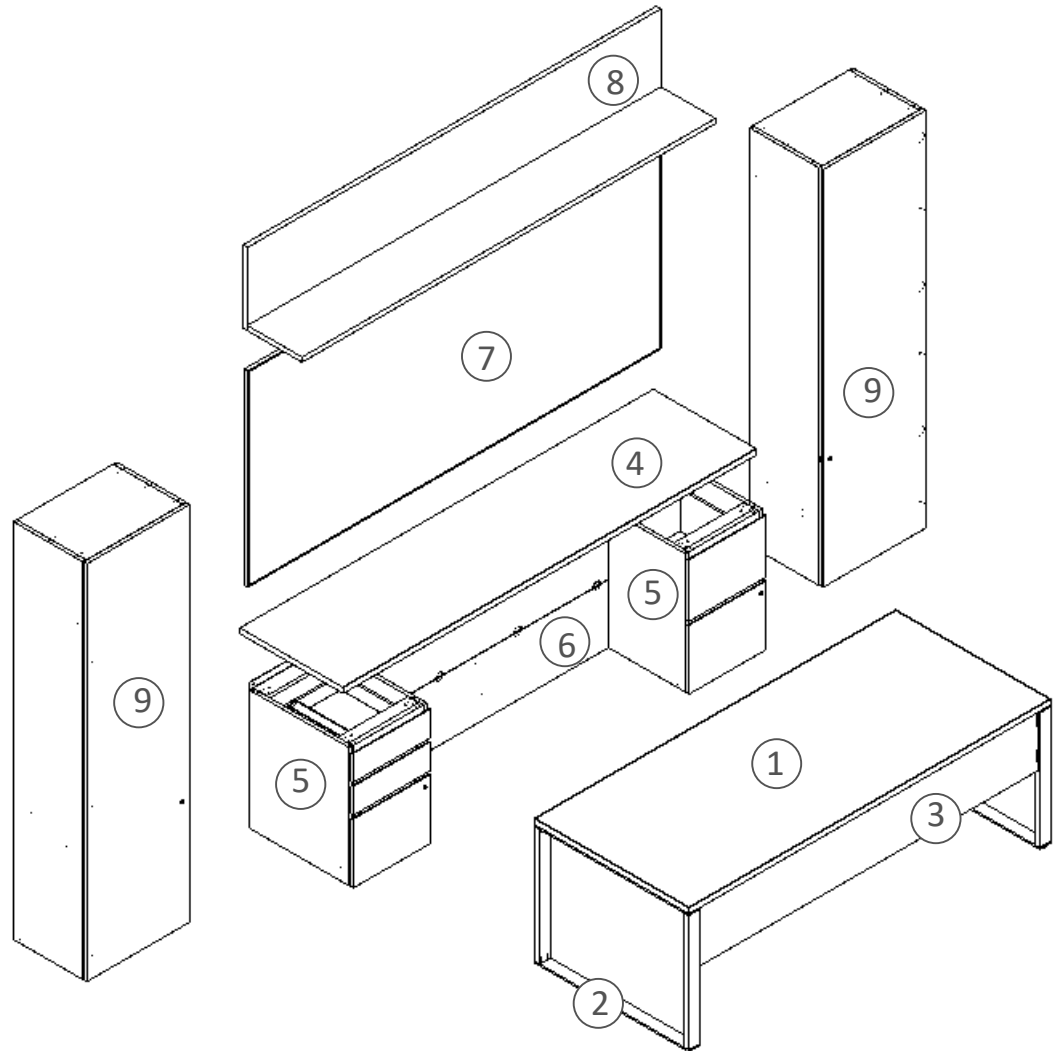


Typical CAM-11-FS

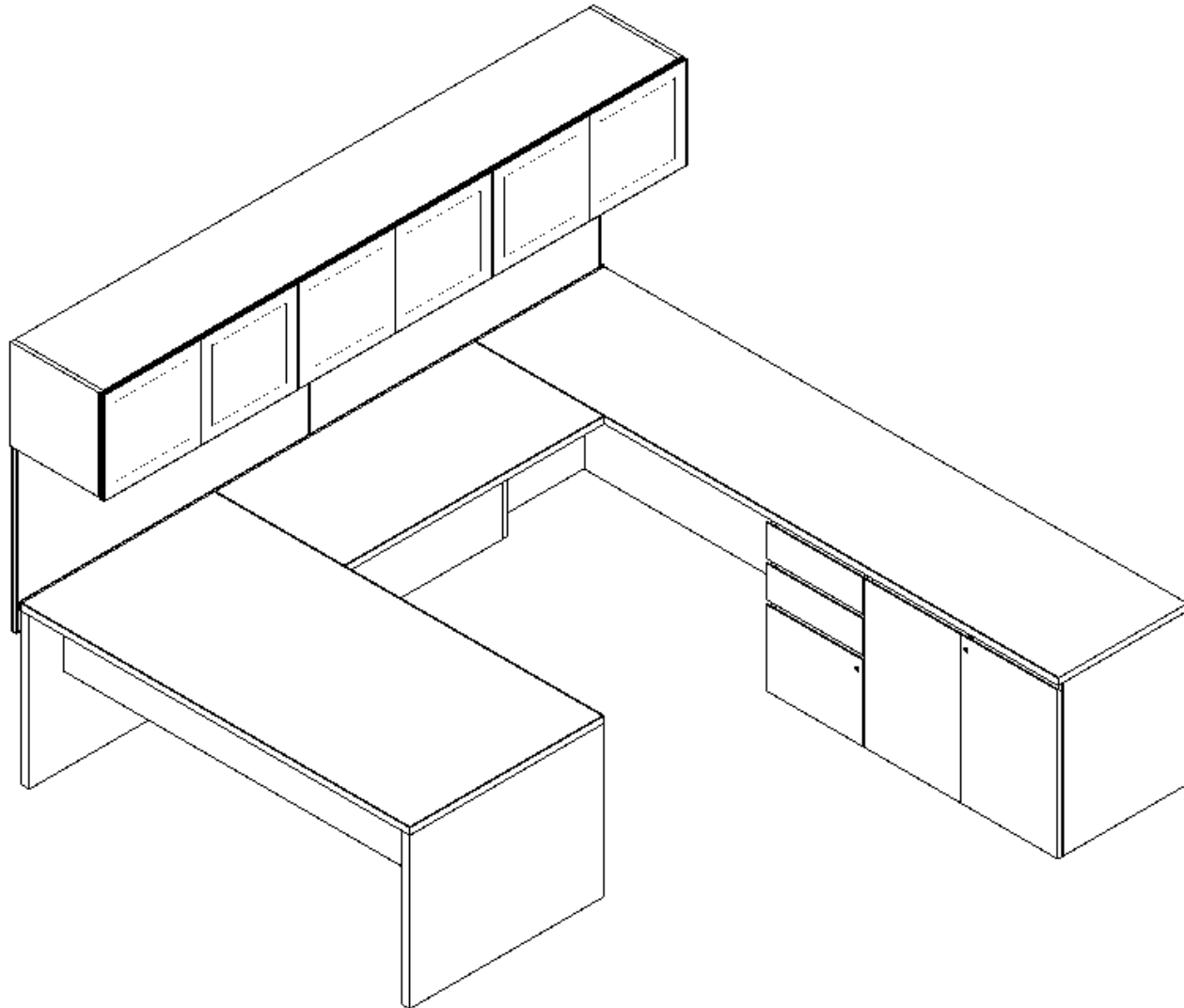


Typical CAM-11-FS Exploded

1. Work Surface
2. Work Surface Supports
3. Modesty Panel
4. Credenza Work Surface
5. Credenza Support
6. Access Panel
7. Back Panel
8. Overhead
9. Tower

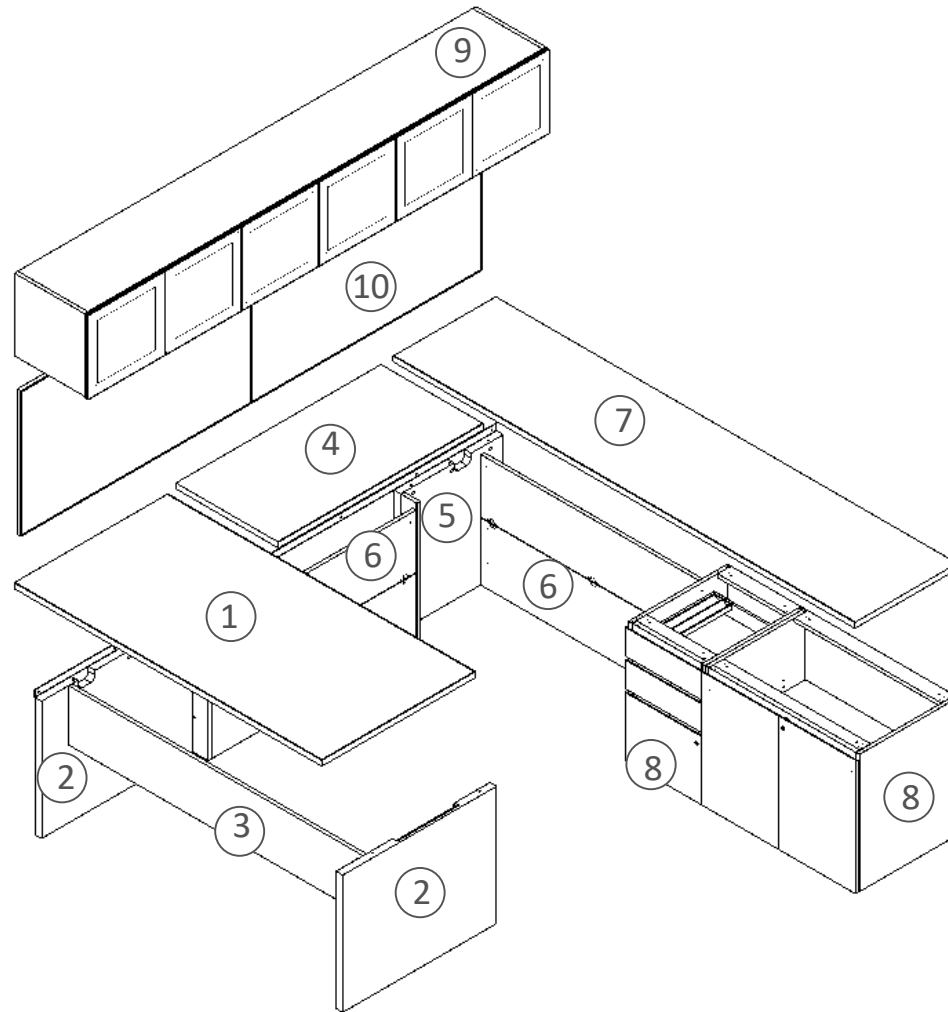


Typical CAM-12-U



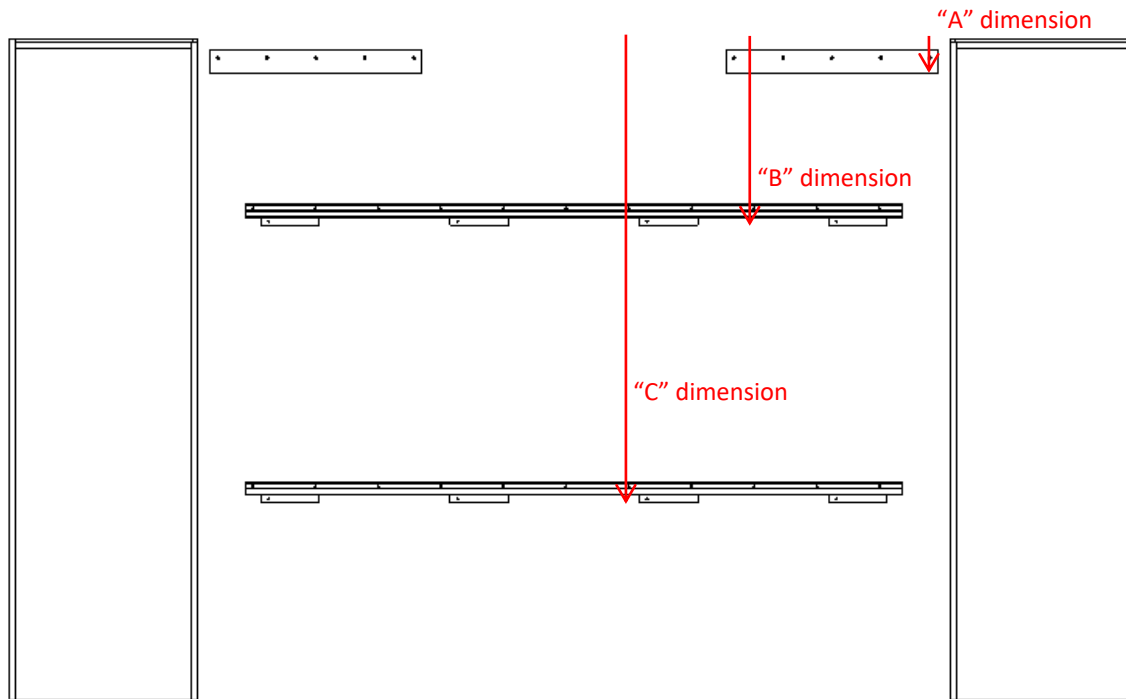
Typical CAM-12-U Exploded

1. Work Surface
2. Work Support
3. Modesty Panel
4. Bridge Work Surface
5. Bridge Support
6. Access Panel
7. Credenza Work Surface
8. Credenza Support
9. Overhead
10. Back Panel



Step 1: Mapping Measurements

- Use bottom glides to level tower. All measurements are based off the top of the tower going down.
- Reference measurements “A”-”C” for wood cleat and metal z-bracket locations.
- Attach wall cleats with lag screws (not provided) for a backed wall, and toggles for a non-backed wall.

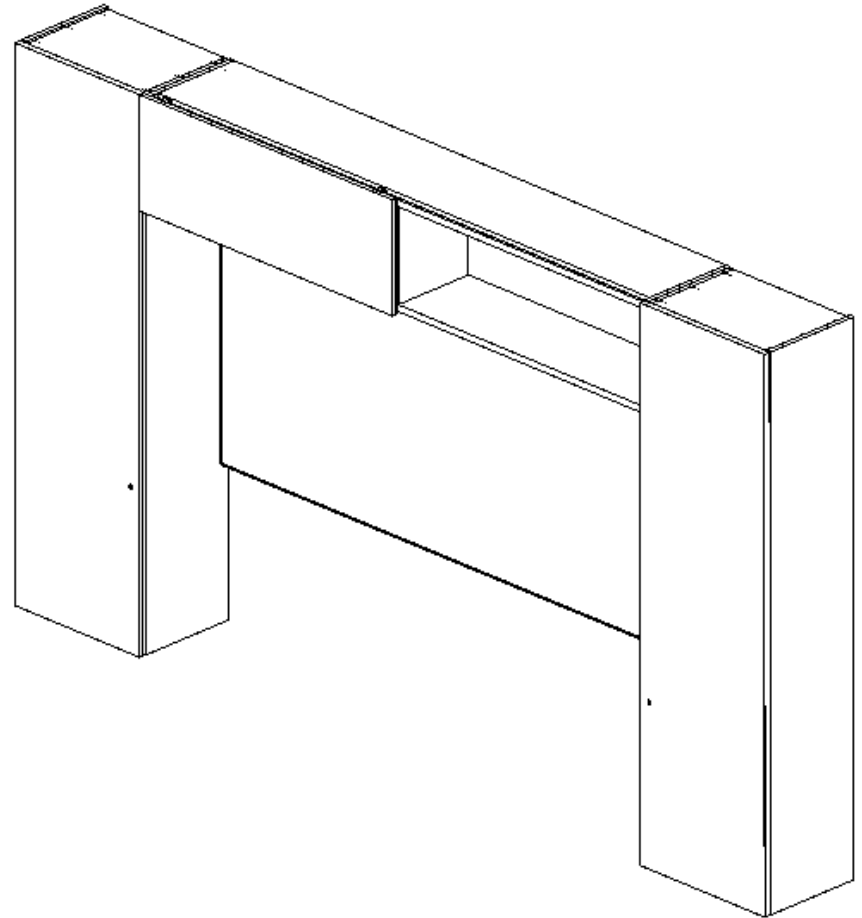


“A” Dimension – place the wall cleat up against the preassembled overhead cleat. Measure from the top of the overhead to the bottom of the wall cleat. Use this dimension from the top of the tower down to the wall location.

“B” and “C” - Dimension – place the Z-Bracket up against the preassembled tack board Z-Bracket. Measure from the top of the tack board to the bottom of the cleat, and add in the height of the overhead. Use the dimension from the top of the tower down to the wall location.

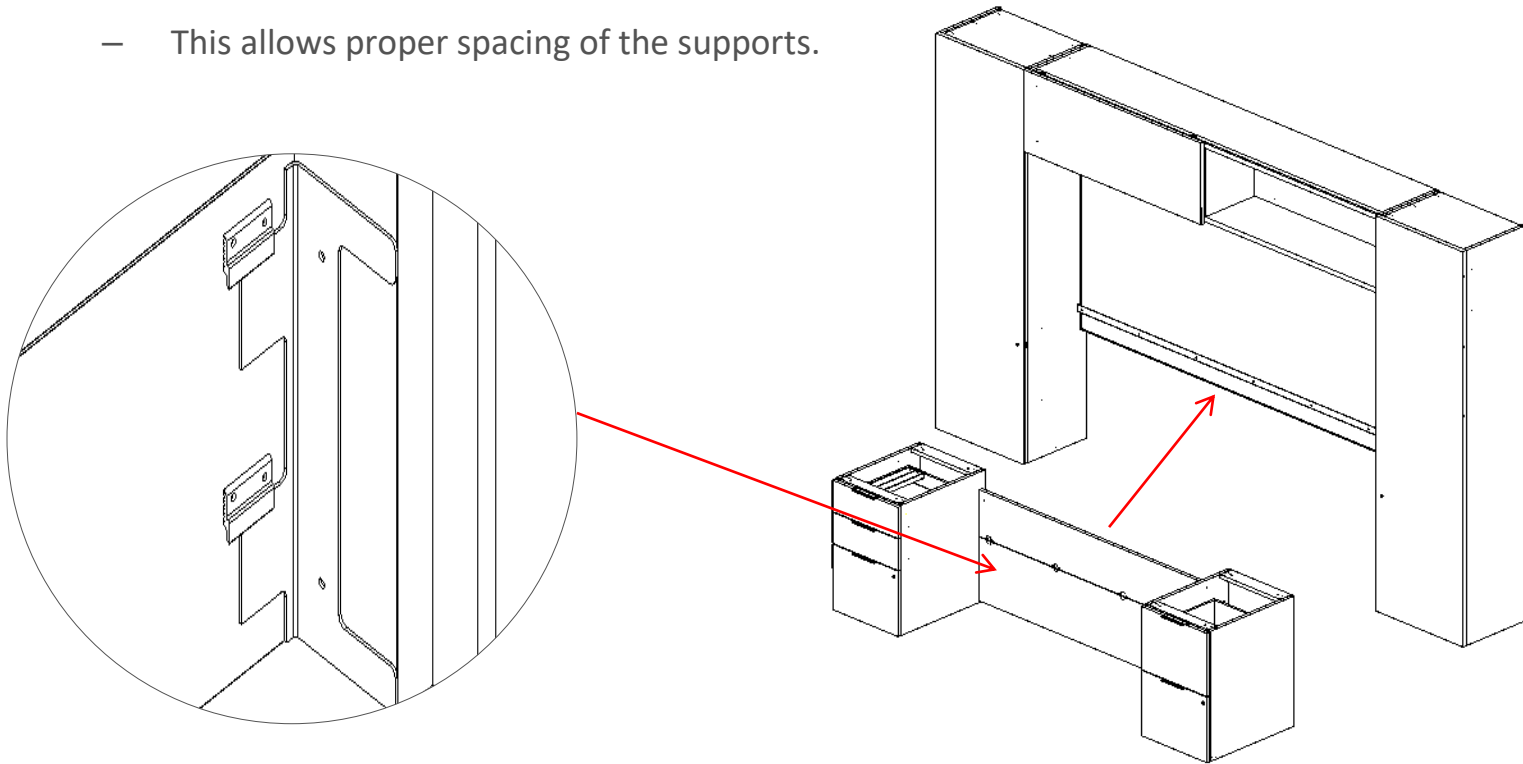
Step 2: Overhead and Tack Board

- Hang the tack board from the z-brackets attached to the wall.
 - The bottom of the tack board, at maximum, hangs 5-1/4 inches below the credenza work surface.
- Hang the overhead above the tack board; if the case is closed use wood cleats, but for open shelf overheads use z-brackets.
 - For closed overheads fasten to the adjacent tower(s) with I-Connector bolts.
 - (If applicable) The overhead task light wire runs behind the tack board, and continues behind the access panel.
- NOTE: Wall mounted components require pull strength at 100 pounds per lineal feet. The recommended method is to screw into either metal or steel studs.



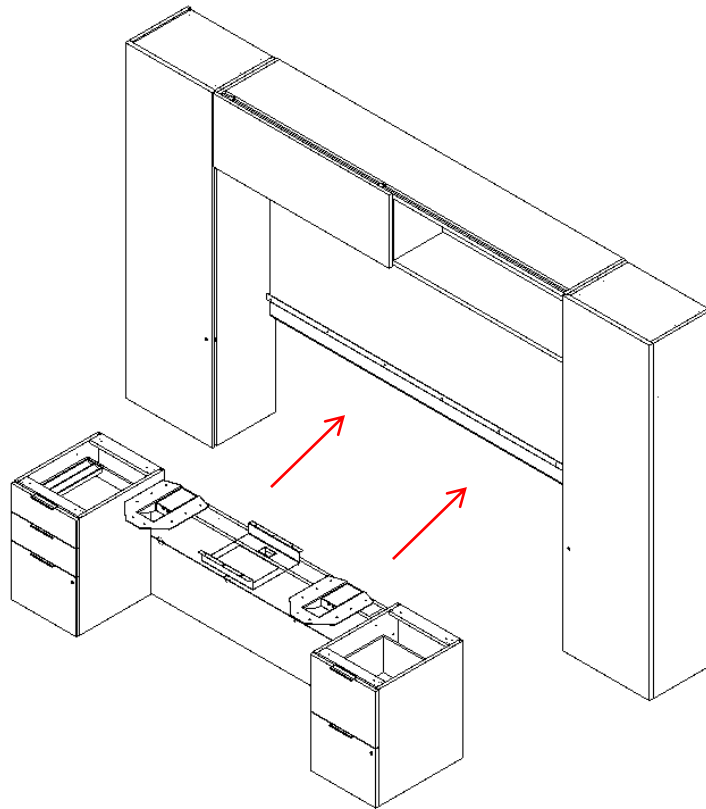
Step 3A: Work Surface Supports

- Initially assemble the work surface supports away from set-up. Then bring in as a larger component.
- NOTE: Leave a 5/8" gap between the supports and tack board for wire management.
- If applicable, hang the access panel by the z-clips onto the brackets preassembled to the pedestal supports.
 - This allows proper spacing of the supports.



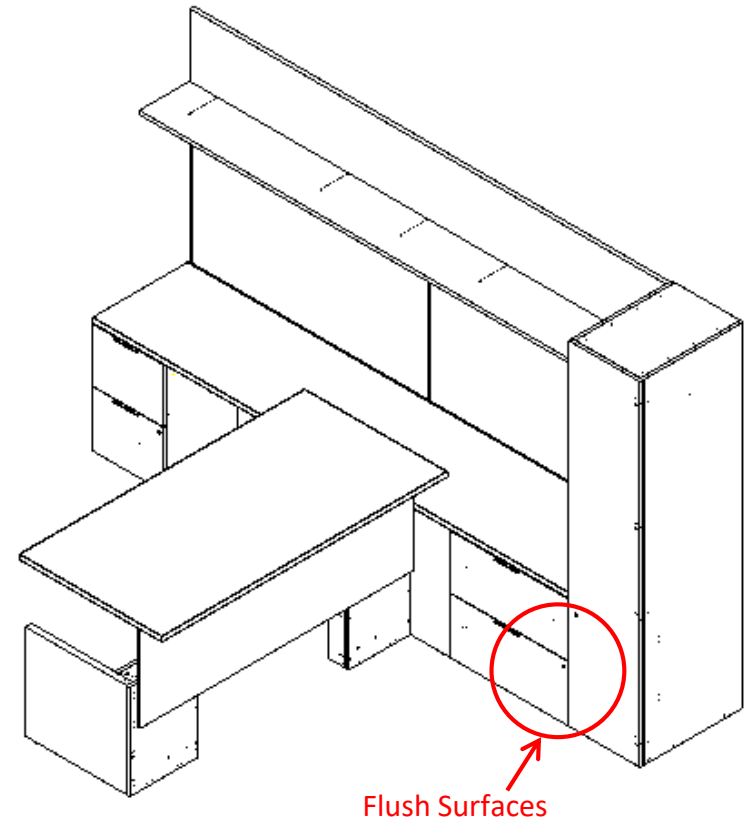
Step 3B: Height Adjustable Supports (if applicable)

- Use I-Connector Bolts (HW1380 and HW1381) to join any work surface supports to the height adjustable support. Then bring this grouped component in to be flush with the tack board.
- NOTE: Leave a 5/8" gap for wire management.



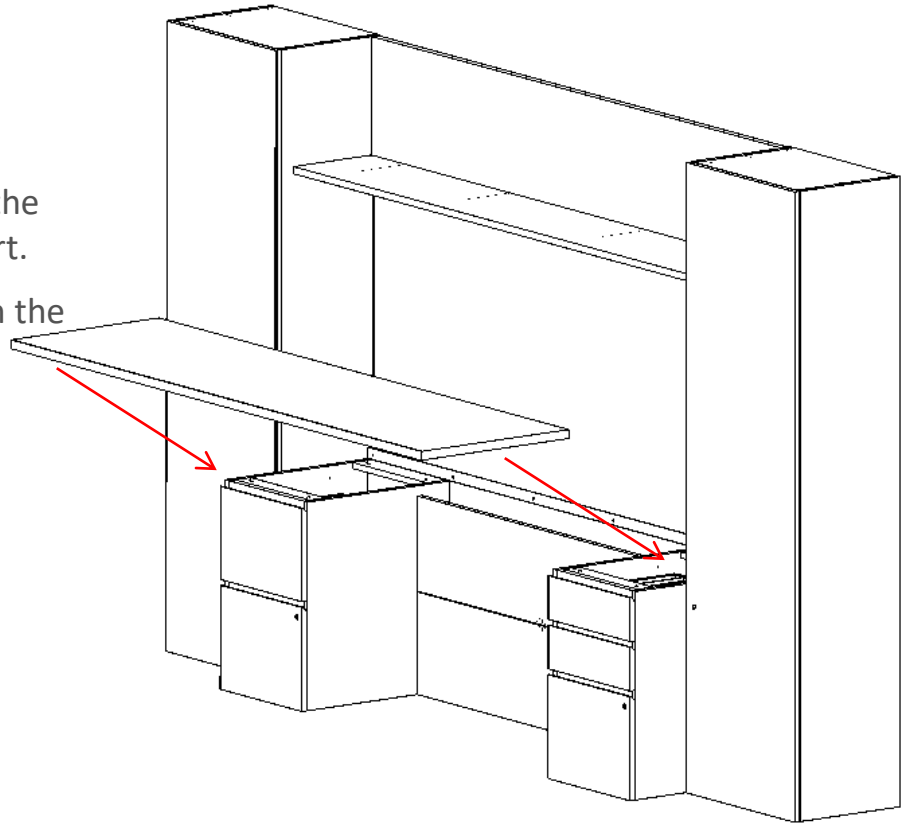
Step 4: Tower

- Stand the towers into place next to the pedestals.
- If the tower, overhead, and/or pedestals are the same depth, keep the front surfaces flush. If they are not the same depth keep the back panels flush.
- Screw (I-Connector Bolts) the tower to the pedestal supports and closed overhead for stability.
 - Holes will need to be bored in field anytime a tower is adjacent to a pedestal.
 - NOTE: Open shelf overheads do not connect to the towers.



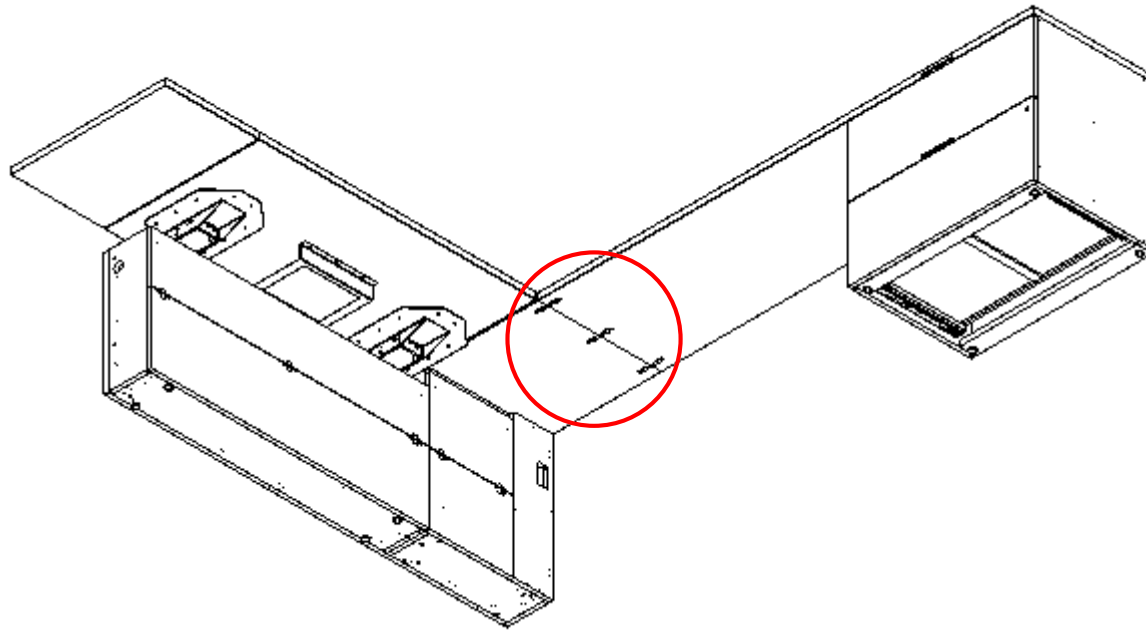
Step 5A: Work Surface

- Set the work surface onto the supports.
- Align the work surface to be flush with the supports.
 - Attach with screws (HW0058) through the predrilled holes in the top of the support.
 - Remember to leave a 5/8" gap between the surfaces and tack board for wire management.



Step 5B: Multi-Piece Work Surface (if applicable)

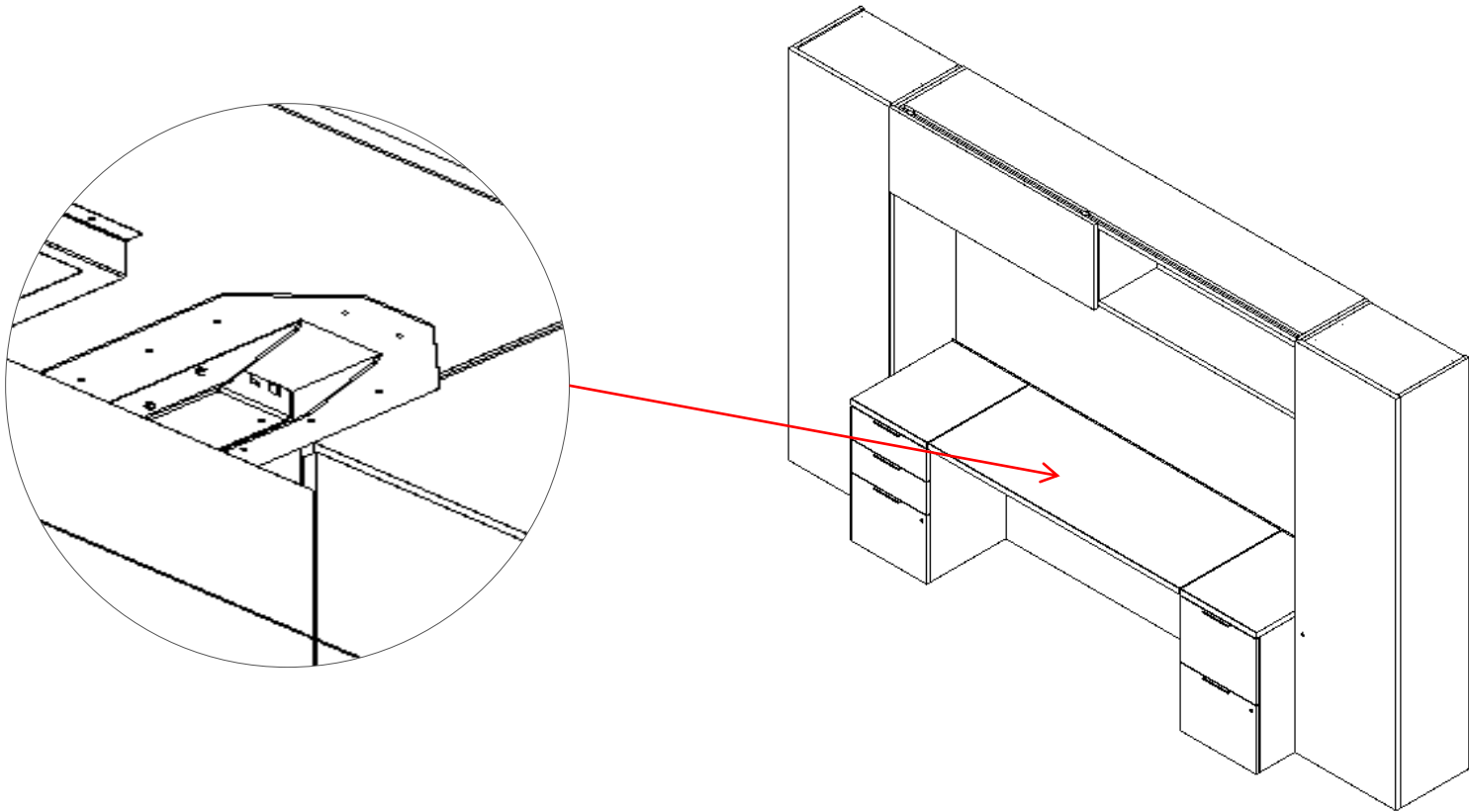
- For multi-piece work surfaces, connect the surfaces with draw-tight fasteners (use provided draw-tight fastener tool to tighten) and mending plates (HW0613 screws).
- Set surfaces onto supports, attach with HW0058 screws and HW0902 washers.
 - Leave a 5/8" gap between the surfaces and tack board for wire management.



Step 5C: Height Adjustable Work Surface (if applicable)

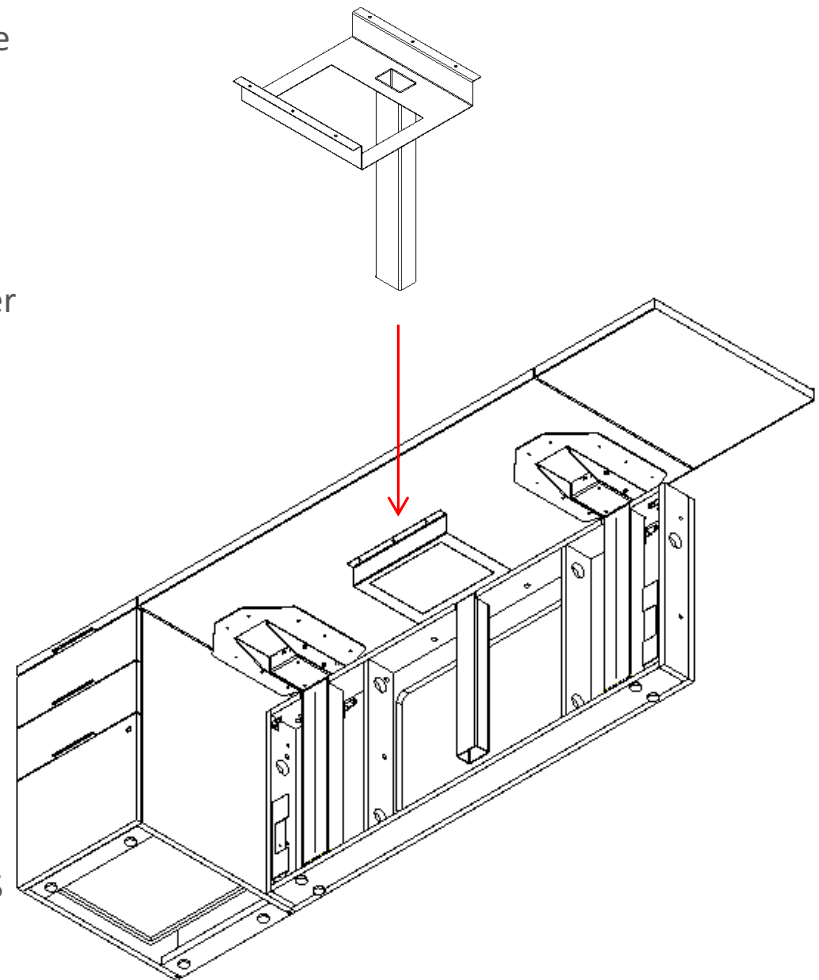
Attach the height adjustable work surface to the metal plates with HW4640 screws, leaving $\frac{1}{4}$ " gap between the height adjustable work surface and it's adjacent surfaces.

- Leave a $\frac{5}{8}$ " gap between the surfaces and tack board for wire management.



Step 6: Height Adjustable Power (if applicable)

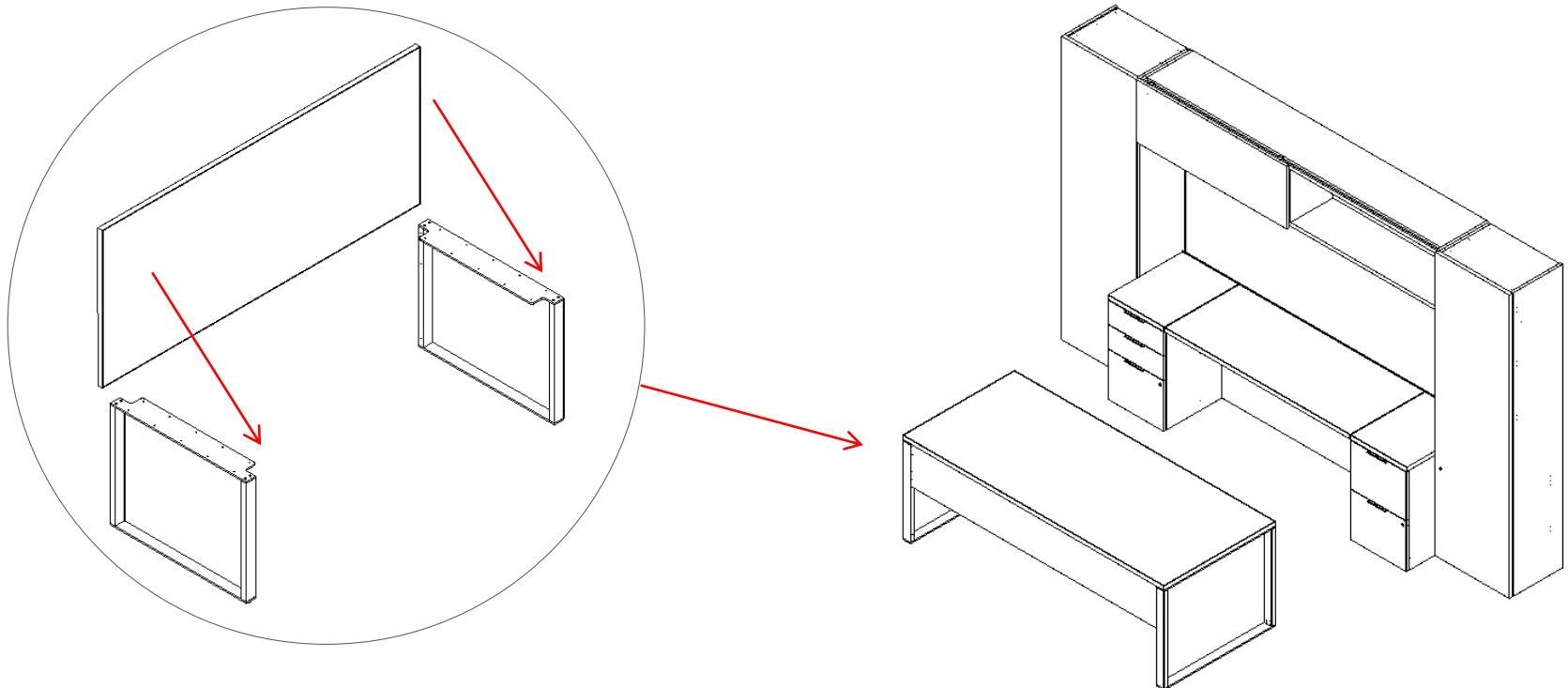
- Height adjustable controls need to be zeroed out before continuing.
- Raise the height adjustable surface 1/3 of the complete height to add the wire management tube. (pictured right)
- Then raise the full height to install power box and power switches.
 - Power box gets mounted to bottom of work surface through the metal power pole.
 - Up-Down switch can be attached either left or right handed.
 - Safety switch goes on opposite side of Up-Down with a mounting plate.
- NOTE: Zip ties provided to manage wires, and use HW0747 screws and anchors to attach to underside of work surface.
- READ THE SAFETY INSTRUCTIONS ON THE LAST 3 PAGES OF THIS PACKET.



Step 7: Freestanding Desks

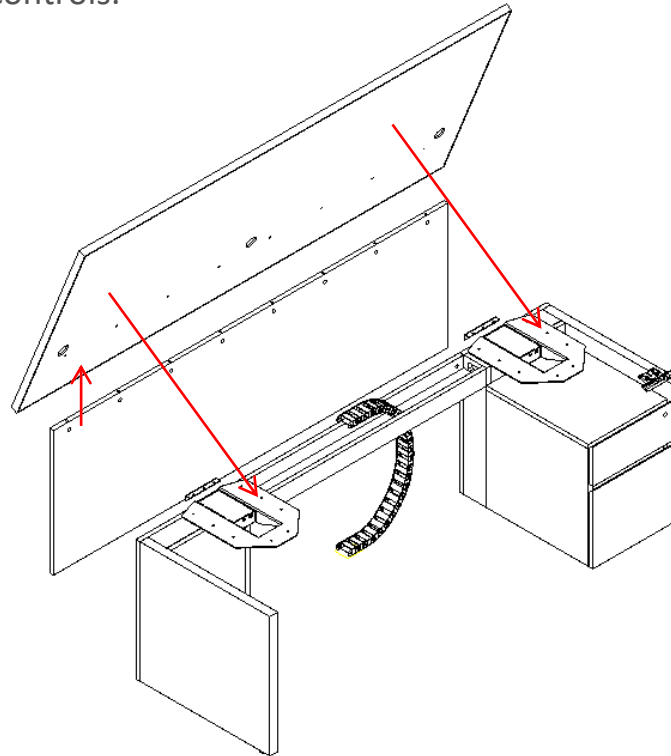
Attach top of freestanding desk to the base with HW4640 screws.

- If desk has a glass surface, the sub top will get screwed onto the supports. The glass top will sit on to the sup top with rubber grips to keep stable.



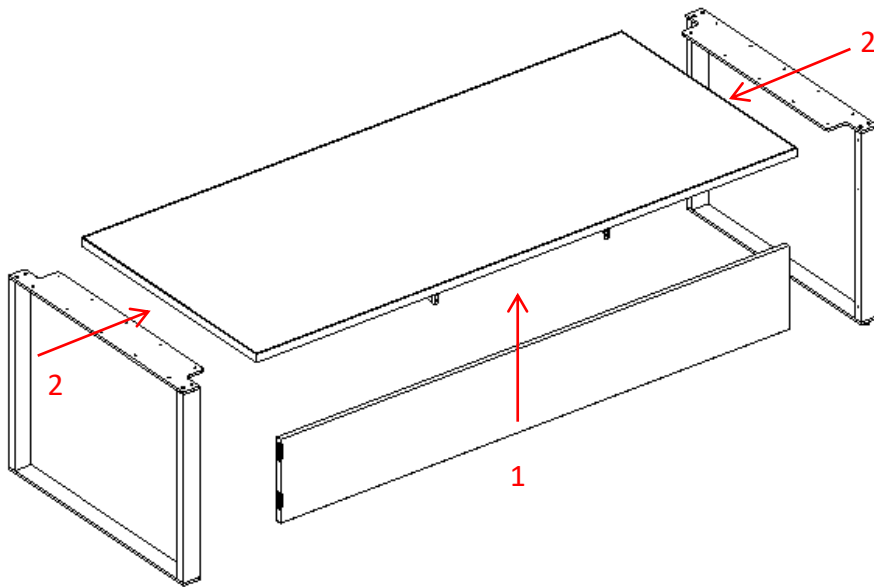
Step 8: Height Adjustable Freestanding Desks (if applicable)

- Height adjustable freestanding desks will come assembled except for the top and modesty panel.
- Screw the top onto the metal height adjustable legs with HW4640.
- Attach the modesty panel on to the top placing pins from the top pins in to the cams of the modesty.
- Follow step 6 for power controls.

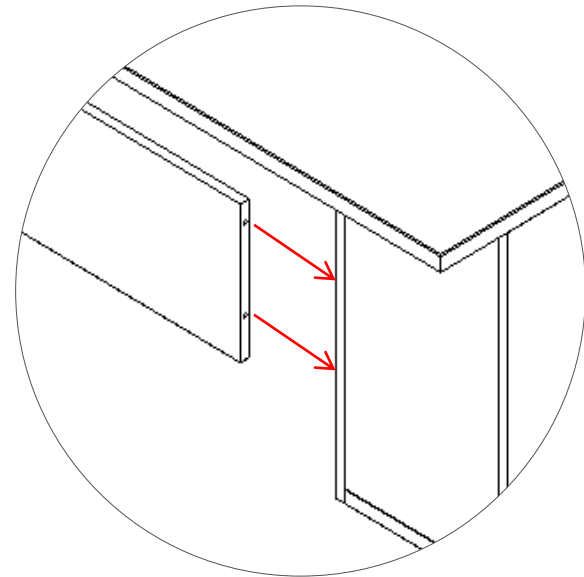


Step 9: Modesty Panel

- Using the predrill holes, screw (HW0613) the modesty bracket to the underside of the top before attaching the bases.
- If the set up has a modesty panel on a desk with pedestal supports, use the modesty side attachments to connect to the pedestal.



Side Attachments

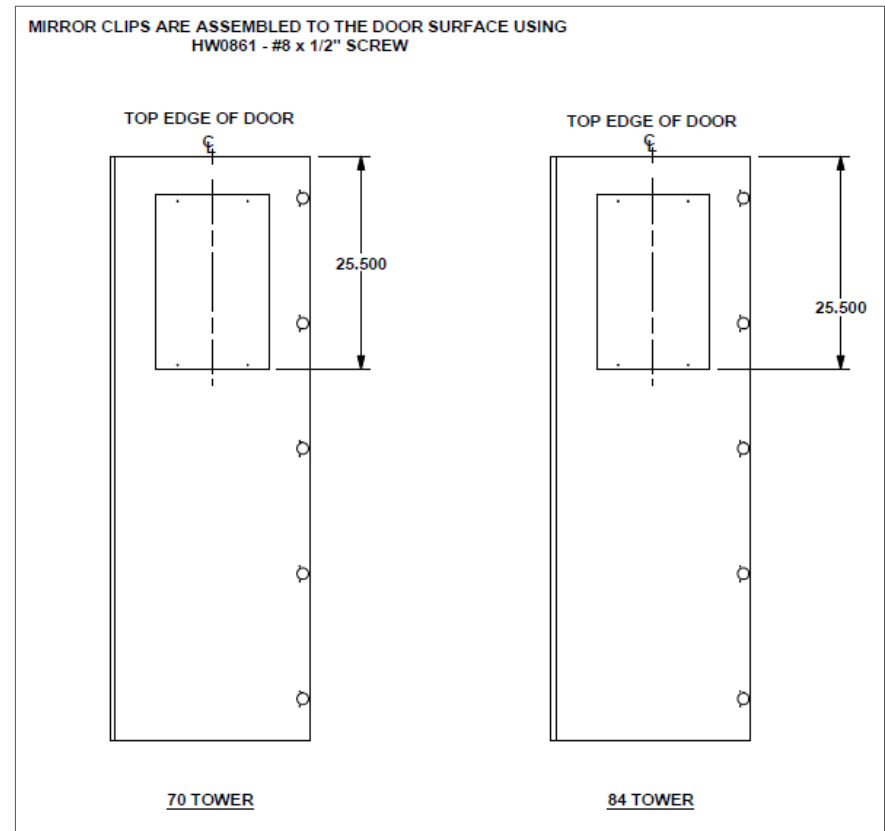


Step 10: Tower Mirror

Tower Mirror

1. Set bottom clips at desired height.
2. Set mirror in the bottom and mark the top edge of the mirror or place a rule in the bottom clips and measure the full height of the mirror and mark. Place the top of the adjustable clip even with the mark and screw in place.
3. After all the clips are set, place the mirror in the top clips. Push up to activate springs and then set mirror down in bottom clips.

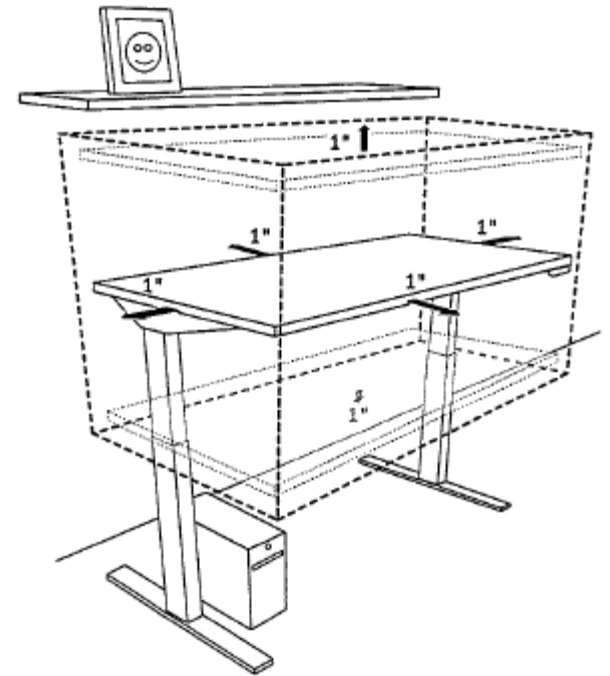
Tower Mirror Locations



Height Adjustable – Adjustment Safety

Body parts and property can be caught between the moving work surface and an immobile obstacle (such as shelves, furniture, window sills, or walls). Keep at least one inch of clearance around desk and make sure nothing is in table's path for its entire range of motion.

- Before raising or lowering:
 - Check surrounding on all sides of desk are clear.
 - Make sure corded objects will not be pulled off table or cause other objects to fall.
 - Make sure desk power cord moves freely as desk moves up and down.



Height Adjustable – Stability Safety

DO NOT Overload Desk:

- To prevent table from tipping or collapsing, make sure the desk frame is not overloaded by the weight of the work surface and objects on table. Evenly distribute load; excess loads near edges can reduce stability and lead to tip over.
 - Do not exceed maximum load (including weight or work surface) of 200 pounds (102 Kg).
 - Do not exceed edge load of 25 pounds when positioning monitors or mounting accessories.
 - Do not sit or stand on table.

Use Care When Moving Desk:

- Clear objects and equipment from table before rolling to reduce the risk of tipping over.
- Adjust the desk to its lowest height before moving.
- To disconnect, turn all controls to the off position, then remove plug from outlet.
- Do not move a loaded desk.
- Do not lift the desk by the work surface.

Height Adjustable – Grounding Instructions

This product is equipped with a cord having an equipment-grounding conductor and a grounding plug. **Use only the cord provided.** Make sure that the product is connected to an outlet having the same configuration as the plug (as shown in Illustration A) that is properly installed and grounded in accordance with all local codes and ordinances.

Do not modify the plug provided with the product – if it will not fit the outlet, have a proper outlet installed by a qualified electrician.

NO adapters are to be used with this product. Keep cord away from heated surfaces.

