

NUCRAFT

Merino Installation Instructions

ID:

Before Beginning Installation

- Read through the entire instruction thoroughly
- A minimum of 2 persons is required for this assembly
- These instructions reflect typical assemblies. They may not match your specific configuration.

Required Tools and Hardware

- Drill Driver
- #2-#3 Phillips Bit
- #2 Square Bit
- 3/8" Nut Driver
- Laser Level
- 5/16" Wrench

Hardware 1



Hardware 2



Hardware 3



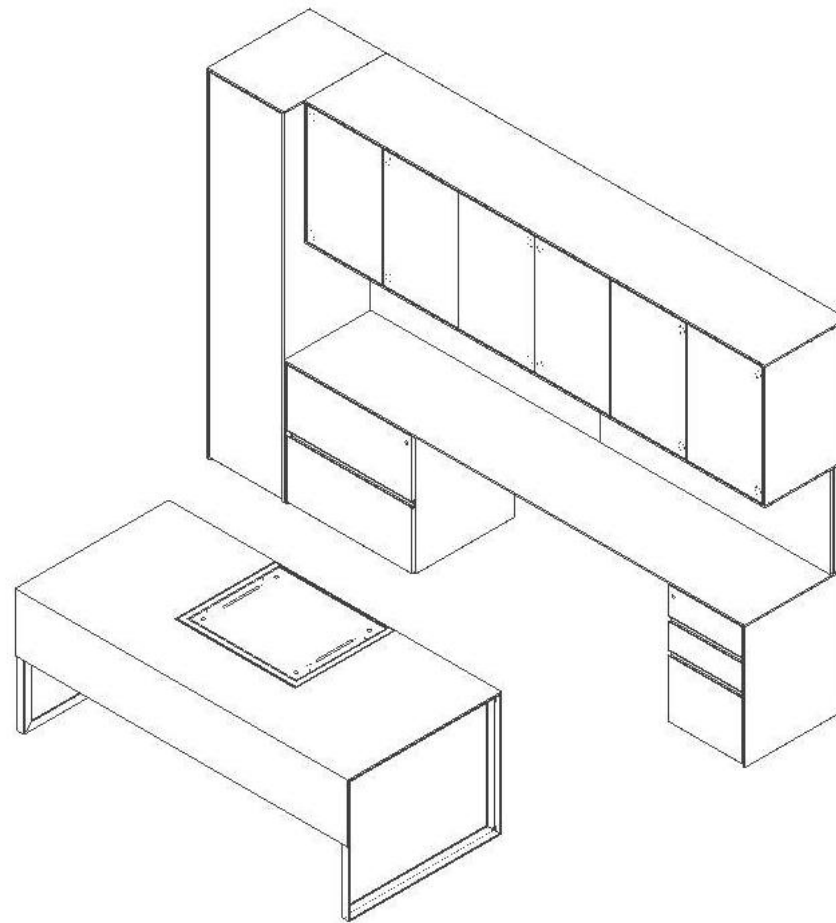
Hardware 4



Hardware 5

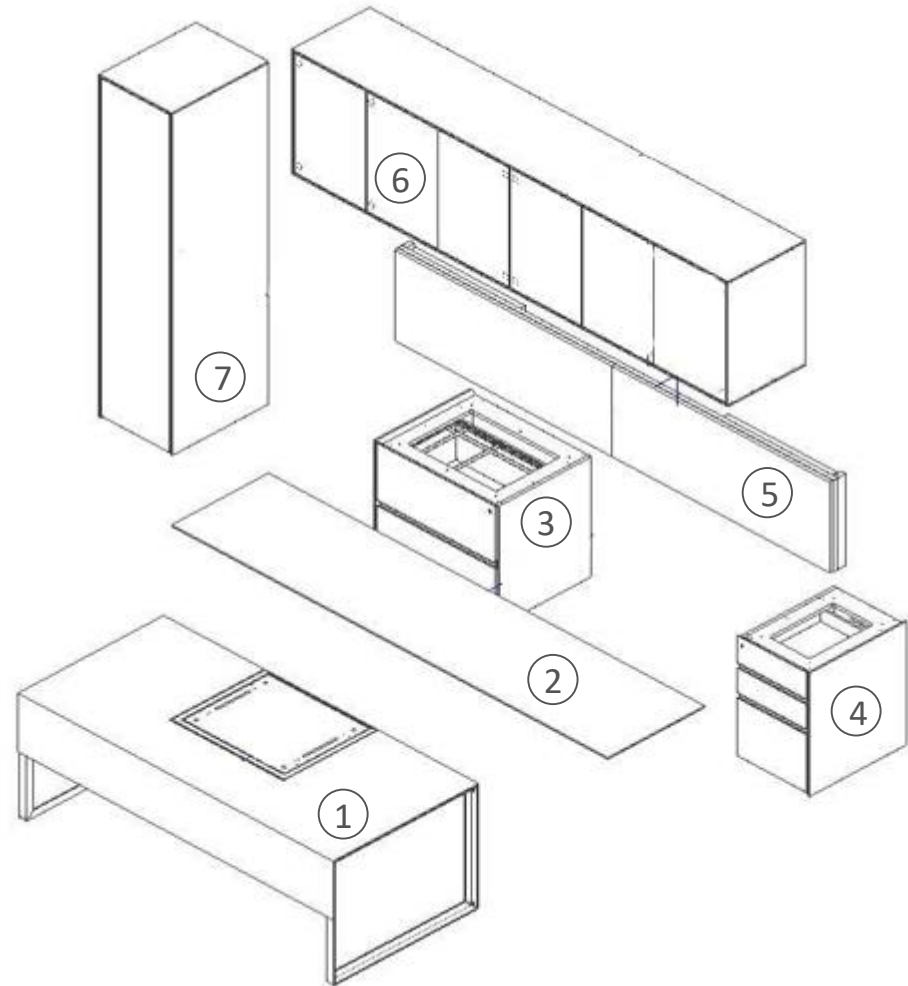


Merino Freestanding

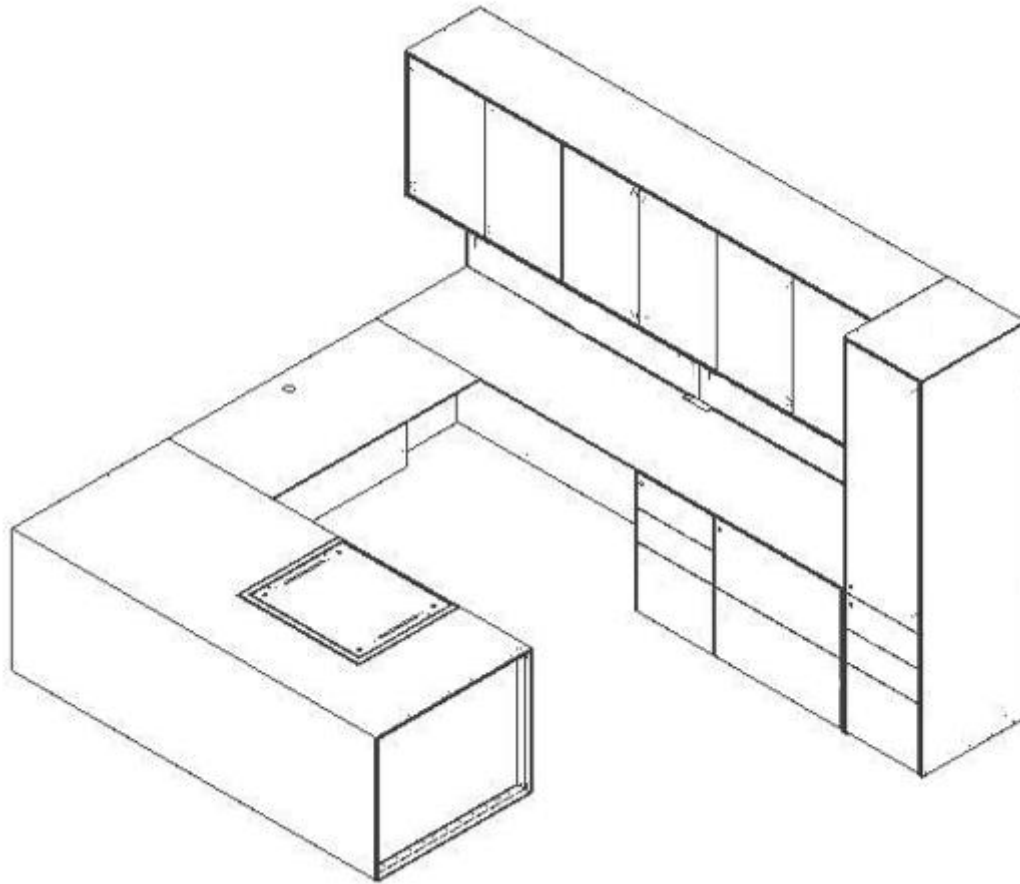


Merino Freestanding Exploded

1. Freestanding Desk
2. Work Surface
3. Lateral File Pedestal
4. Box Box File Pedestal
5. Tack Board
6. Overhead
7. Tower

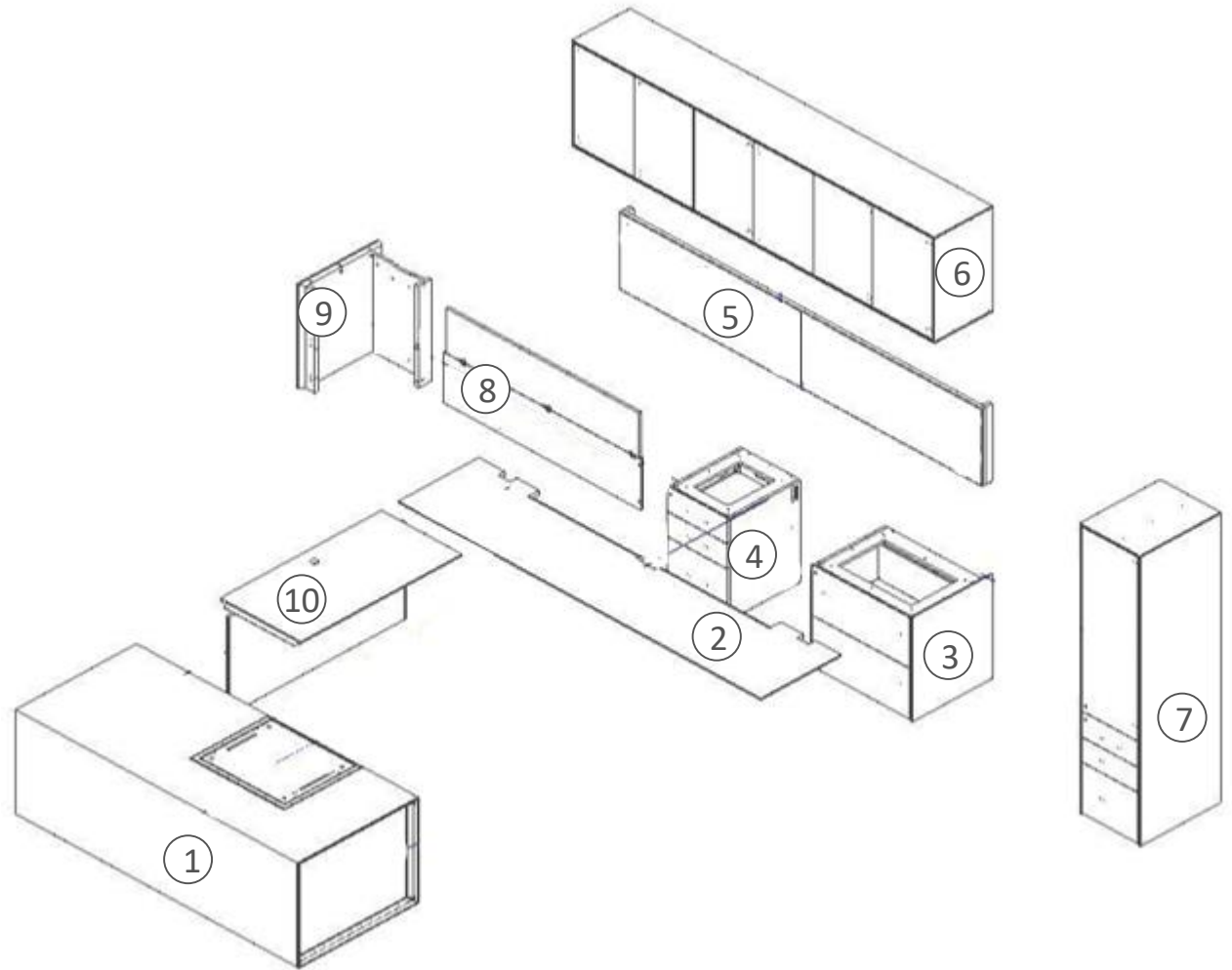


Merino U-Shape

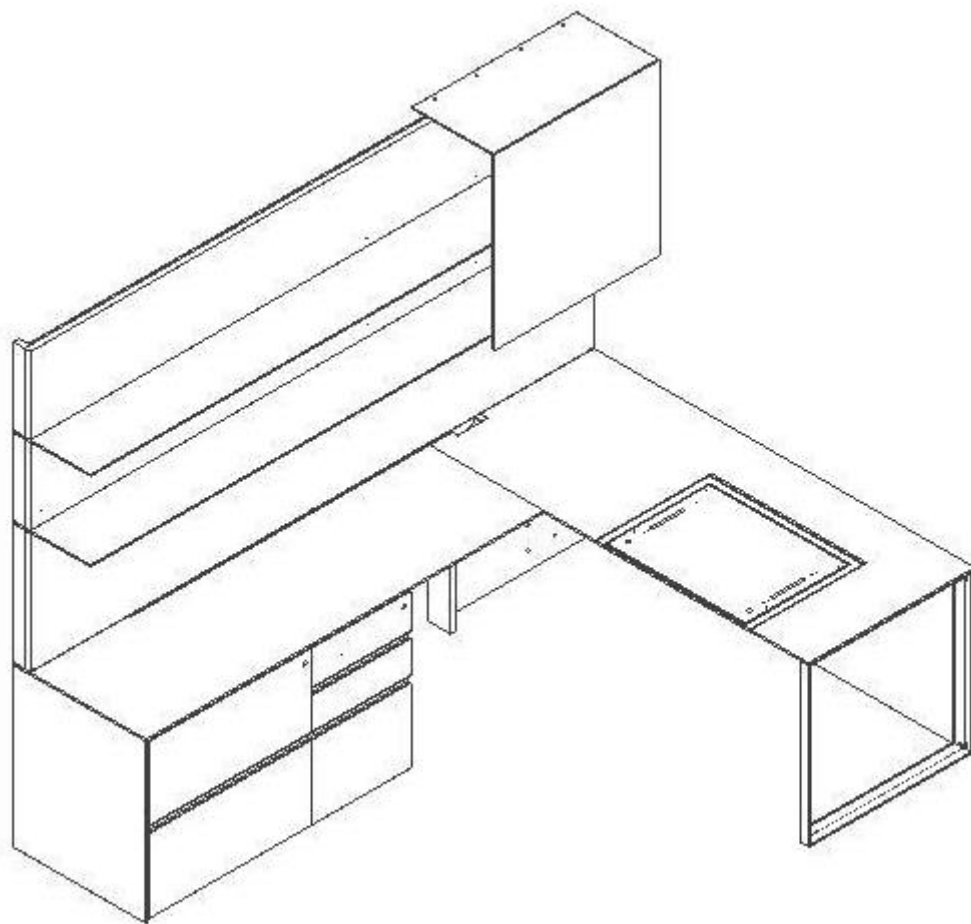


Merino U-Shape Exploded

1. Desk
2. Work Surface
3. Lateral File Pedestal
4. Box Box File Pedestal
5. Tack Board
6. Overhead
7. Tower Access Panel
8. Corner Support
9. Bridge

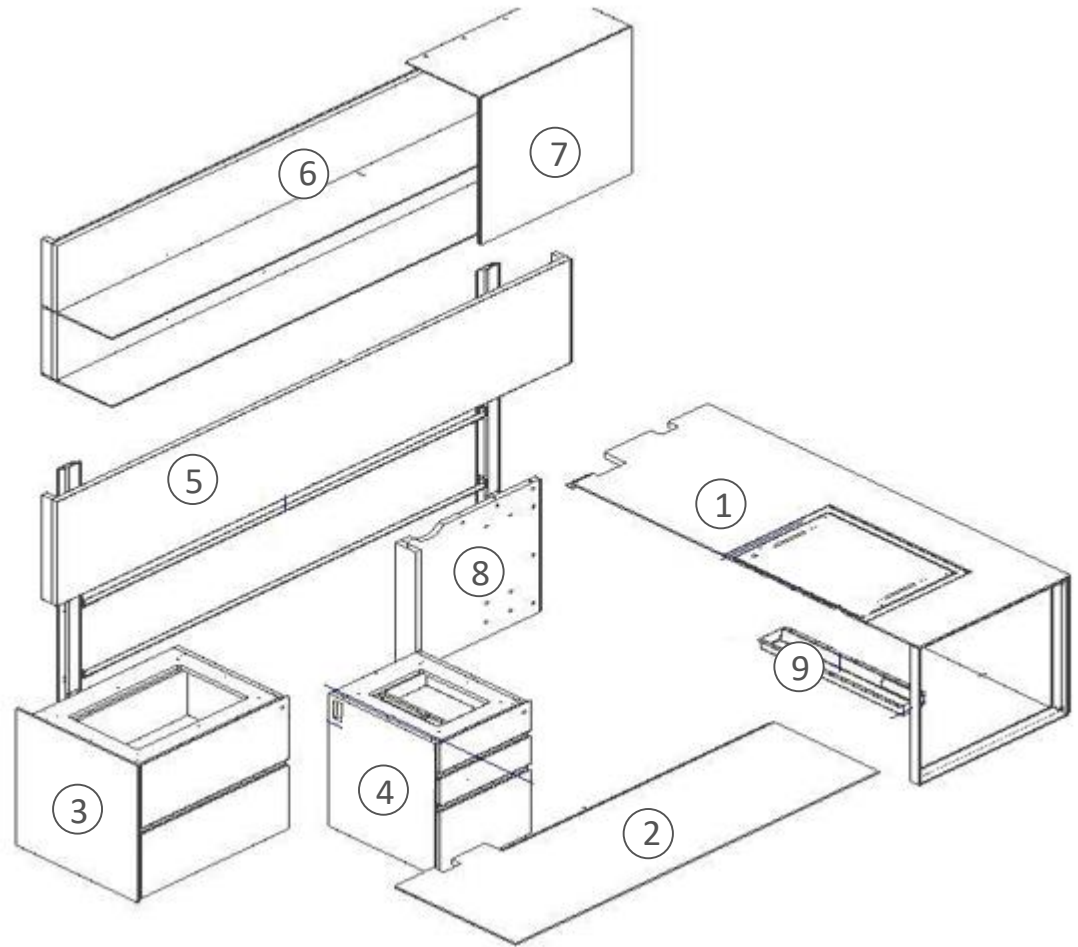


Merino L-Shape

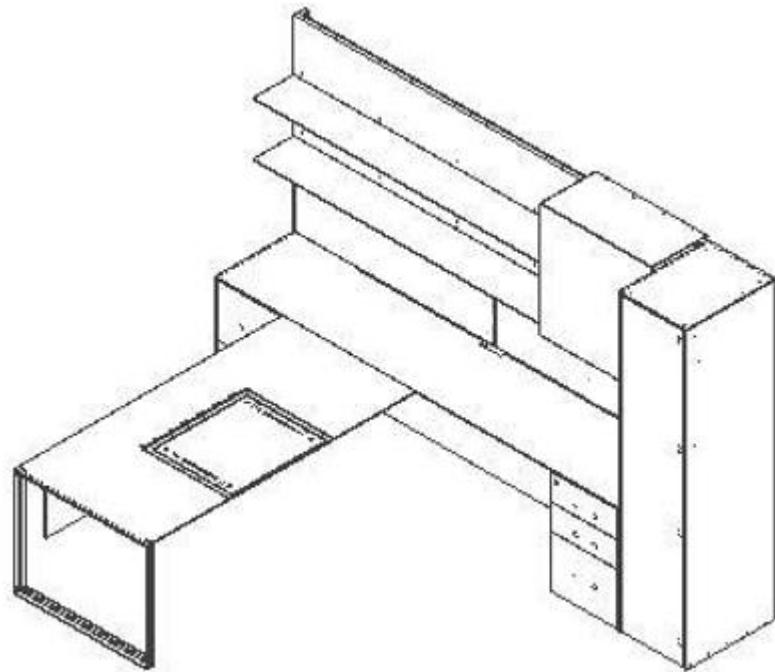


Merino L-Shape Exploded

1. Desk
2. Work Surface
3. Lateral File Pedestal
4. Box Box File Pedestal
5. Tack Board
6. Overhead
7. Overhead Hood
8. Corner Support
9. Power Option

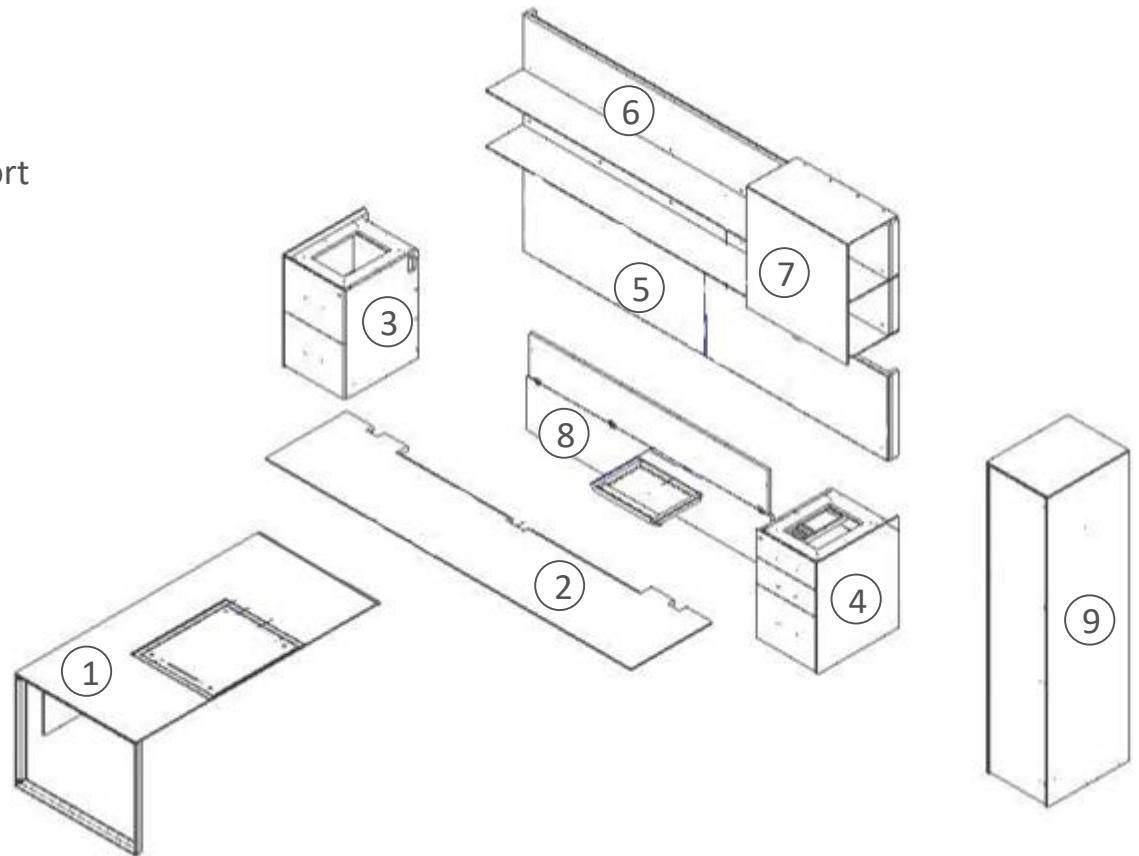


Merino T-Shape



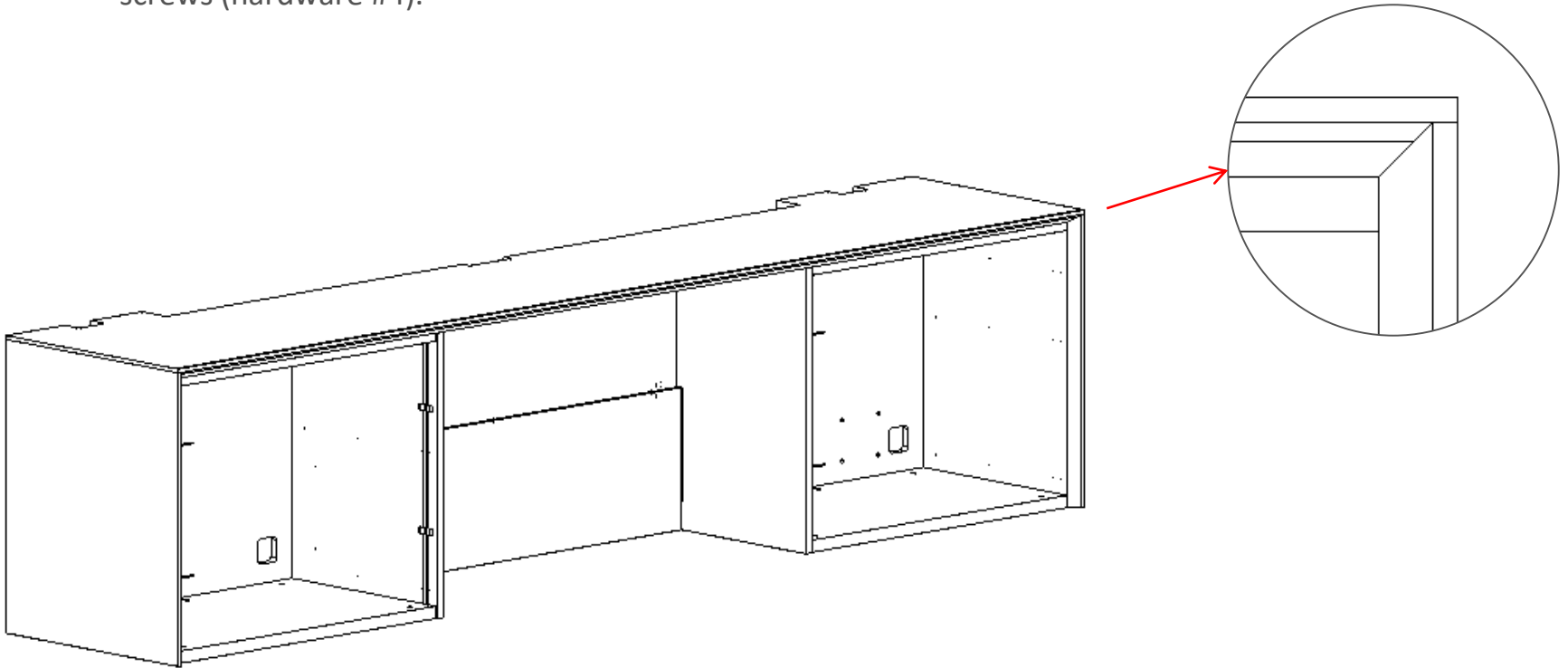
Merino T-Shape Exploded

1. Desk
2. Work Surface
3. Lateral File Pedestal
4. Box Box File Pedestal Support
5. Tack Board
6. Overhead
7. Overhead Hood
8. Access Panel
9. Tower



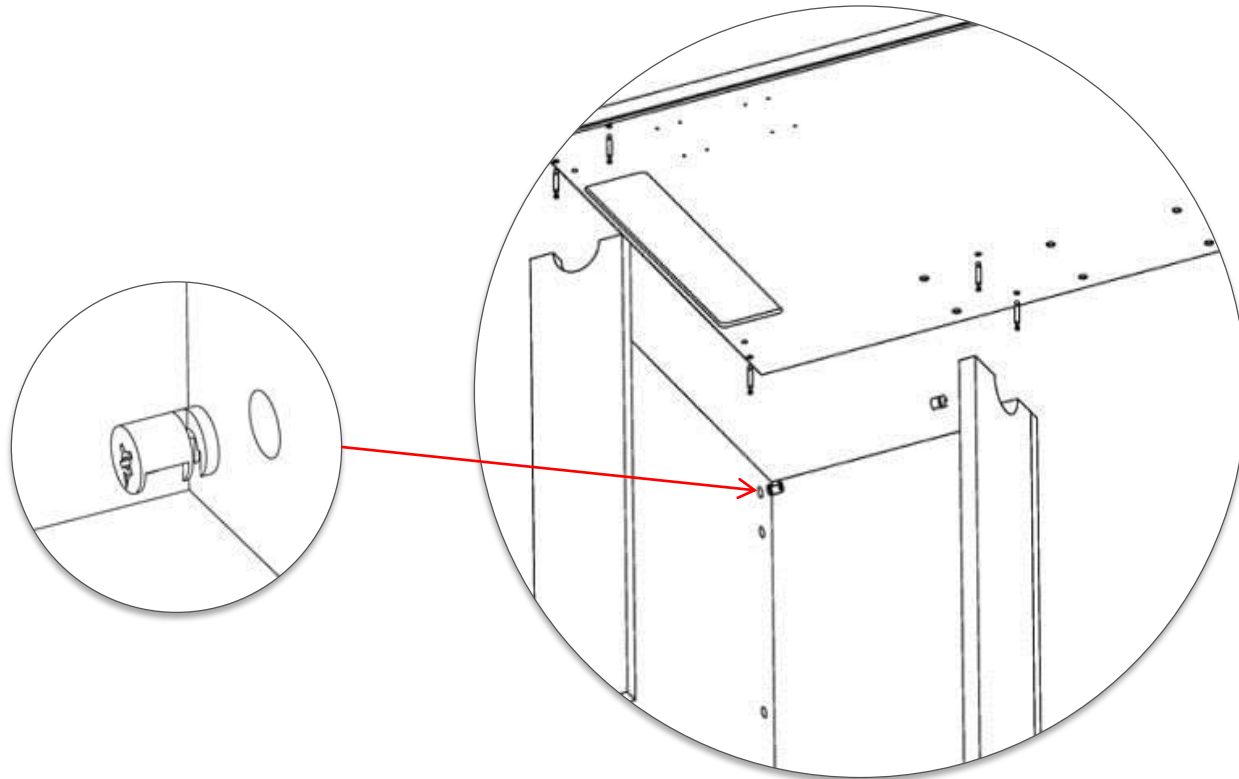
Step 1: Installing the Credenza

- Locate the pedestals and set in place with a level.
- Align work surface with mitered edge on pedestals. Attach using hardware #3 and #5.
- If station has additional work surfaces, attach the same way. Then connect using mending plates and screws (hardware #4).



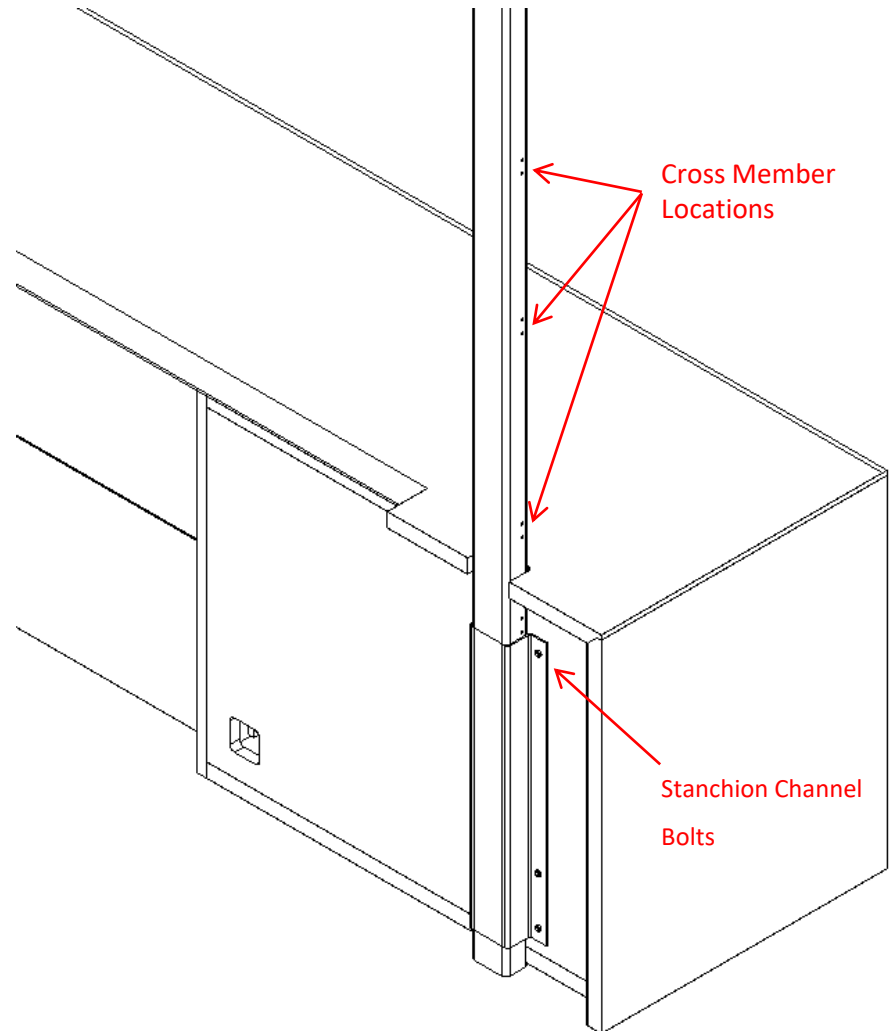
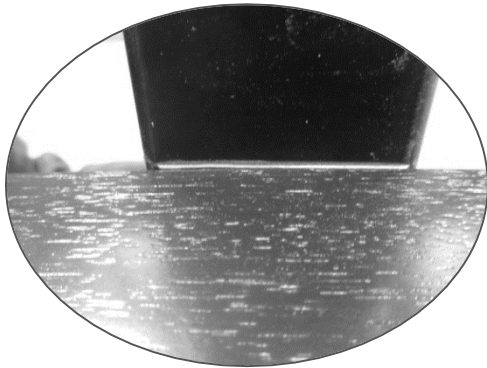
Step 2: Attaching Corner Support

- Install connector pins (hardware #1) to the work surface.
- Lower the work surface onto the corner support, aligning the pins with the corresponding holes in the corner support.
- Secure by turning clockwise by a half turn.



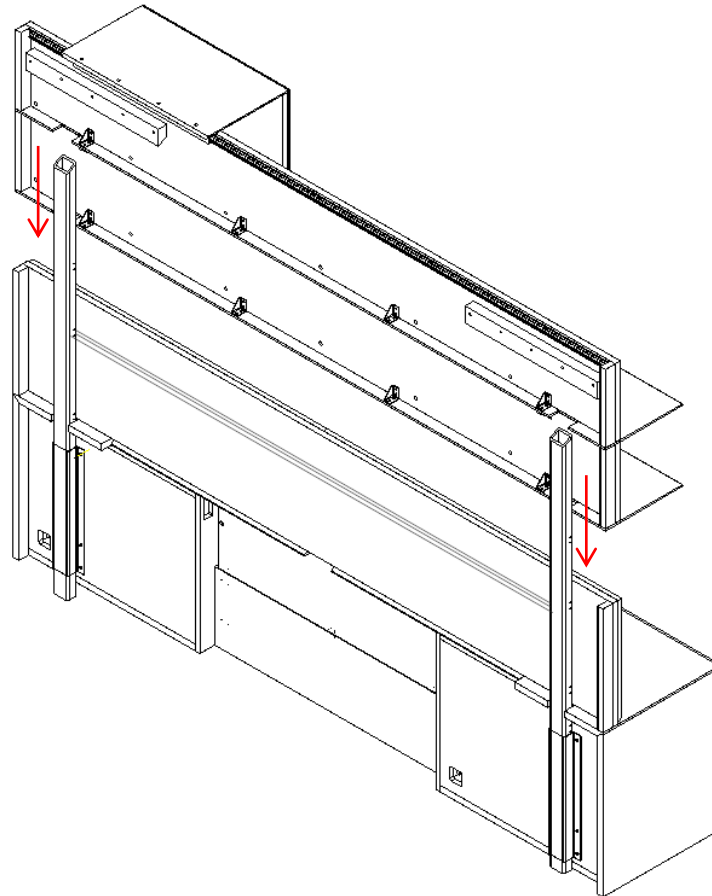
Step 3: Installing Stanchions

- (If wall hung, skip to Step 5.)
- Loosen the stanchion channel bolts. DO NOT remove.
- Slide the stanchions in the channels. Adjust glides on the stanchions until scribe line is flush with work surface.
- Tighten the stanchion channel bolts.
- Attach cross members using 3/8" bolts.



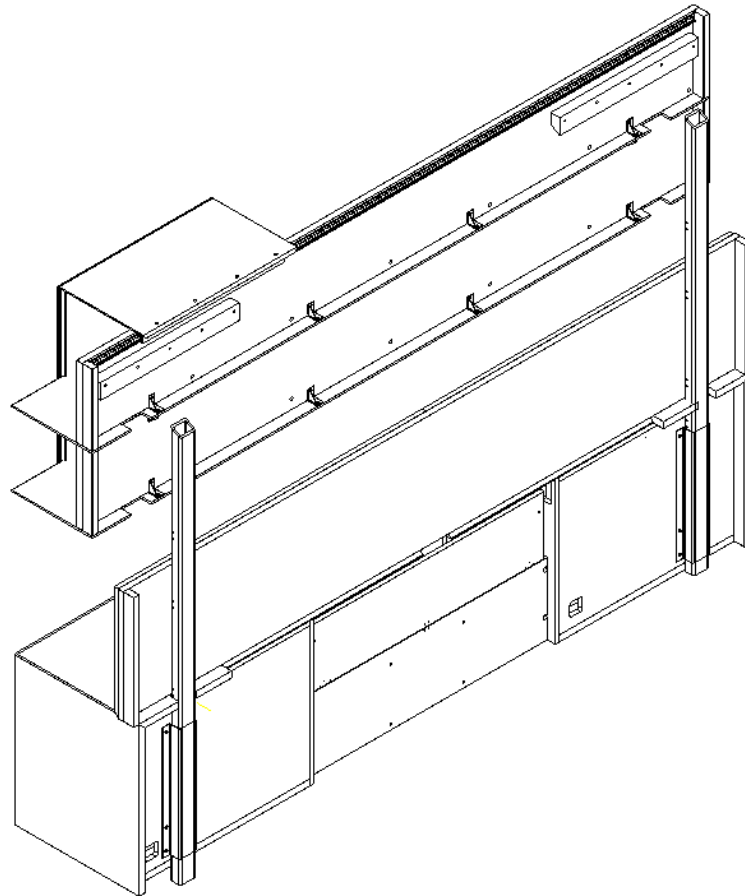
Step 4: Installing Tack Board and Overhead

- Attach the tack board using the pre-installed Z-clips on the back side. Press down to fully engage.
- Hang the overhead on the top of the stanchions.
- Adjust side to side to align with work surface.



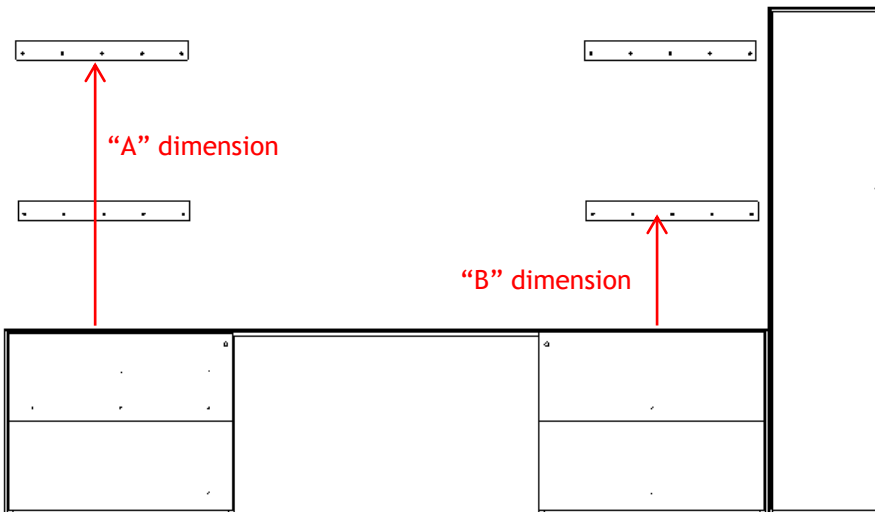
Step 5: Attaching the Access Panel

- Align the access panel so the rafter connectors are in line with the studs.
- Place on studs and tighten with a Philips screwdriver by turning clockwise.



Step 6: Installing Wall Mounted Tack Board and Overhead

- Ensure work surface is level.
- Reference numbers in the table below. Measurements are to the bottom of cleat.
- Attach wall cleats. (Lag screws for a backed wall, toggles for non backed wall.)
- Install the tack board, and then the overhead.

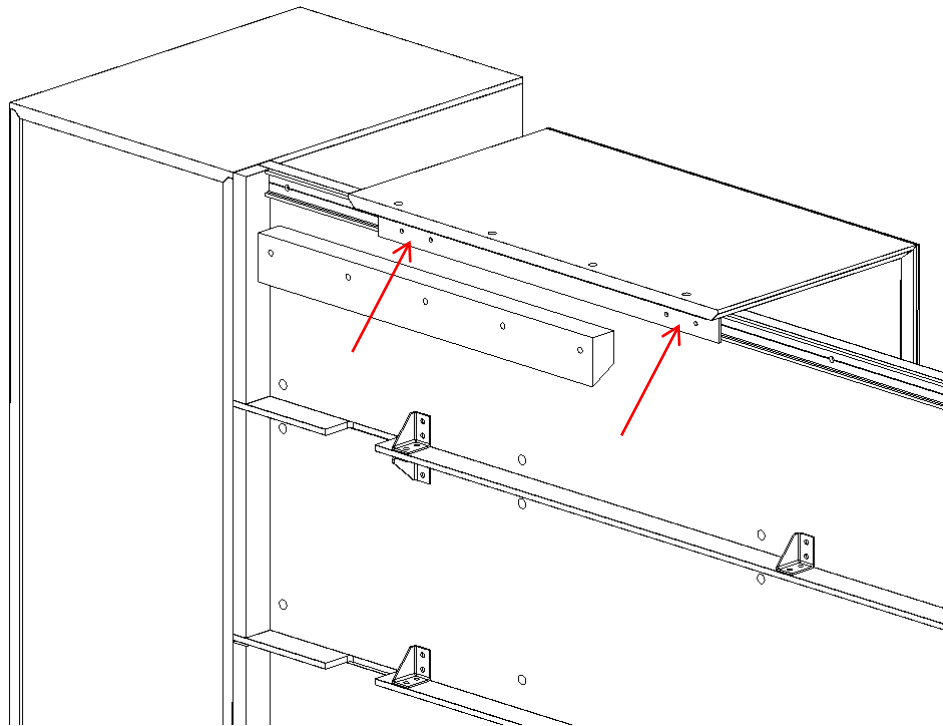


Tack Board	Work Surface to Cleat	B
21.25"	15.65"	
23.5"	17.90"	
33.5"	27.90"	
21.85"	16.24"	

	Open Shelf		Case Overhead		A
Tack Board	Single Height	Double Height	Single Height	Double Height	
21.25"	X	X	31.92"	44.17"	
23.5"	32.05"	X	34.17"	X	
33.5"	42.05"	X	44.17"	X	
21.84"	X	42.05"	x	X	

Step 7: Attaching the Sliding Hood

- Remove the wing nuts from the track on the back of the overhead.
- Lifting hood over the back of the overhead, carefully align the holes on the hood with the studs in the tracks.
- Attach wing nuts to secure hood on the overhead.



Step 8: Installing Glass Desk

- Locate the glass top (packed on its own).
- With the desk in place and properly leveled to ensure proper miter alignment, place glass top into place.
- Use glass pods for this installation.

