

NUCRAFT

Modular Power Installation Instructions

ID:

Before Beginning Installation

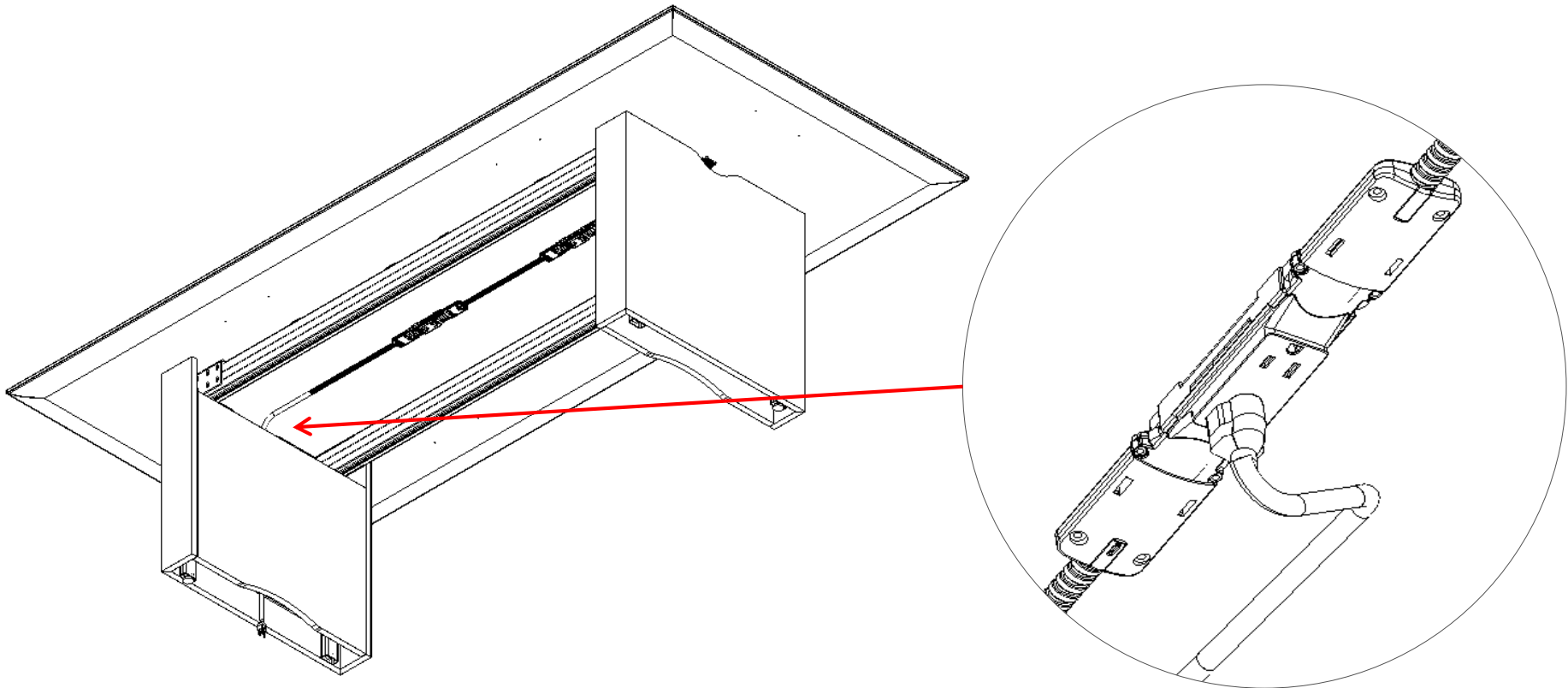
- Read through the entire instruction thoroughly
- A minimum of 2 persons is required for this assembly
- These instructions reflect typical assemblies. They may not match your specific configuration.

Required Tools

- Phillips Driver

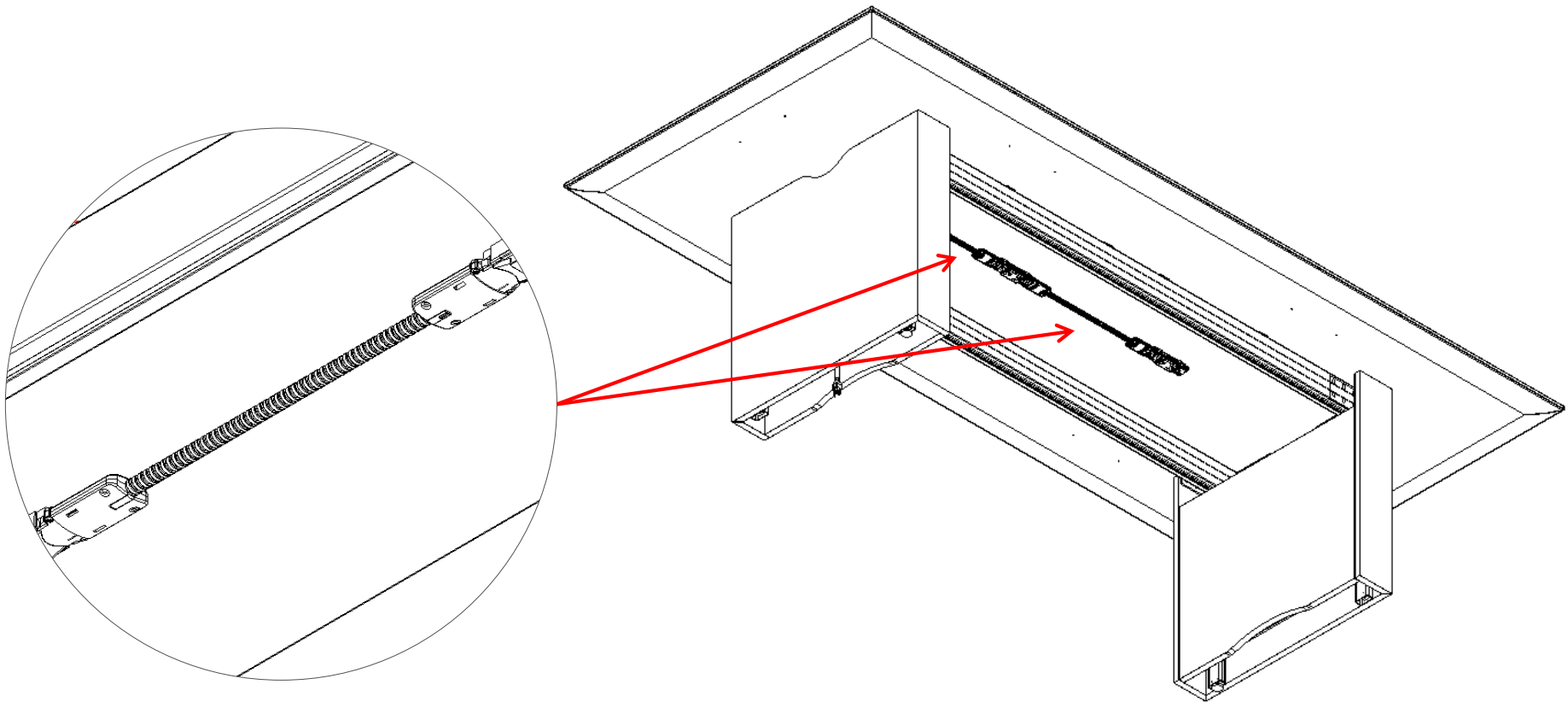
Step 1: Duplex Receptacles

- Duplexes are secured on the underside of the work surface, with bracket hardware (ELO147).
 - Duplexes can be used as is or attach to power infeed.



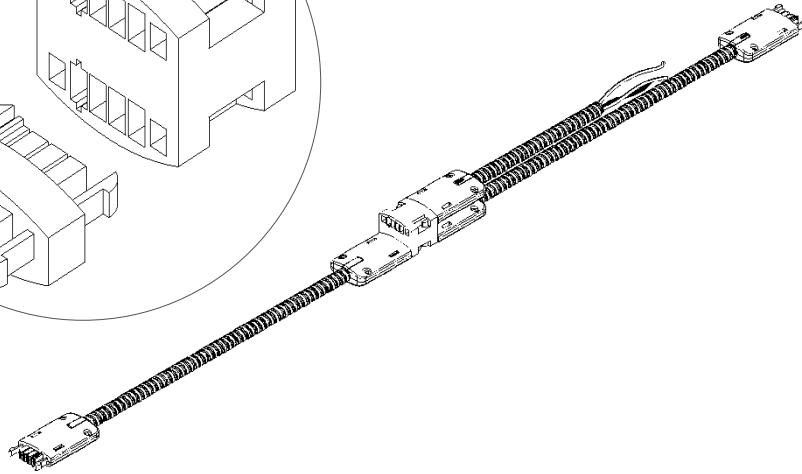
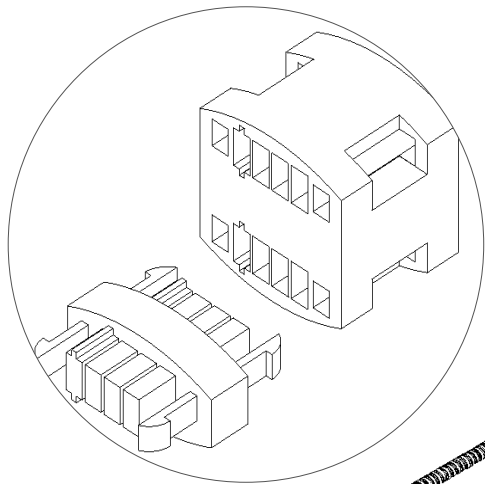
Step 2: Jumpers

- Duplexes are connected to each other by jumpers that click together, no hardware required.
- They direct the infeed from one end of the table to the other in different configurations depending on the path of power.

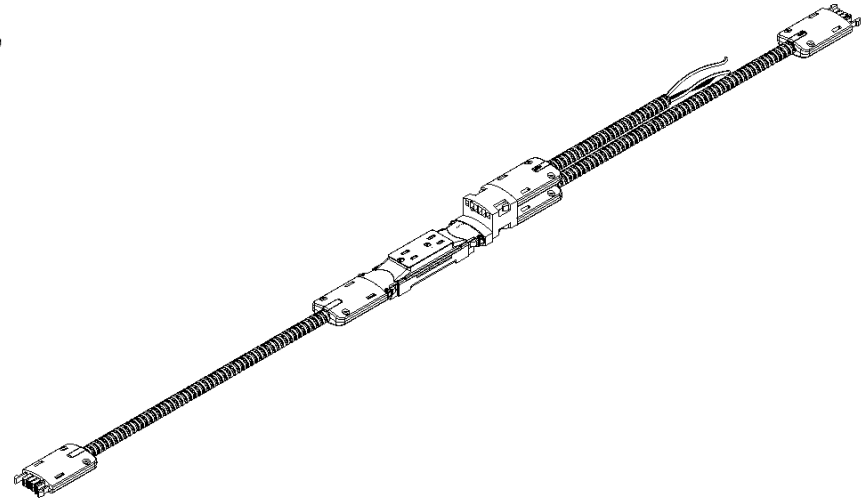


Step 3: Block Connector and “H” Connector

- If applicable:
- Block connectors and “H” connectors are used together to split the infeed in different directions.
 - Four ports for jumpers and/or duplexes to branch from.



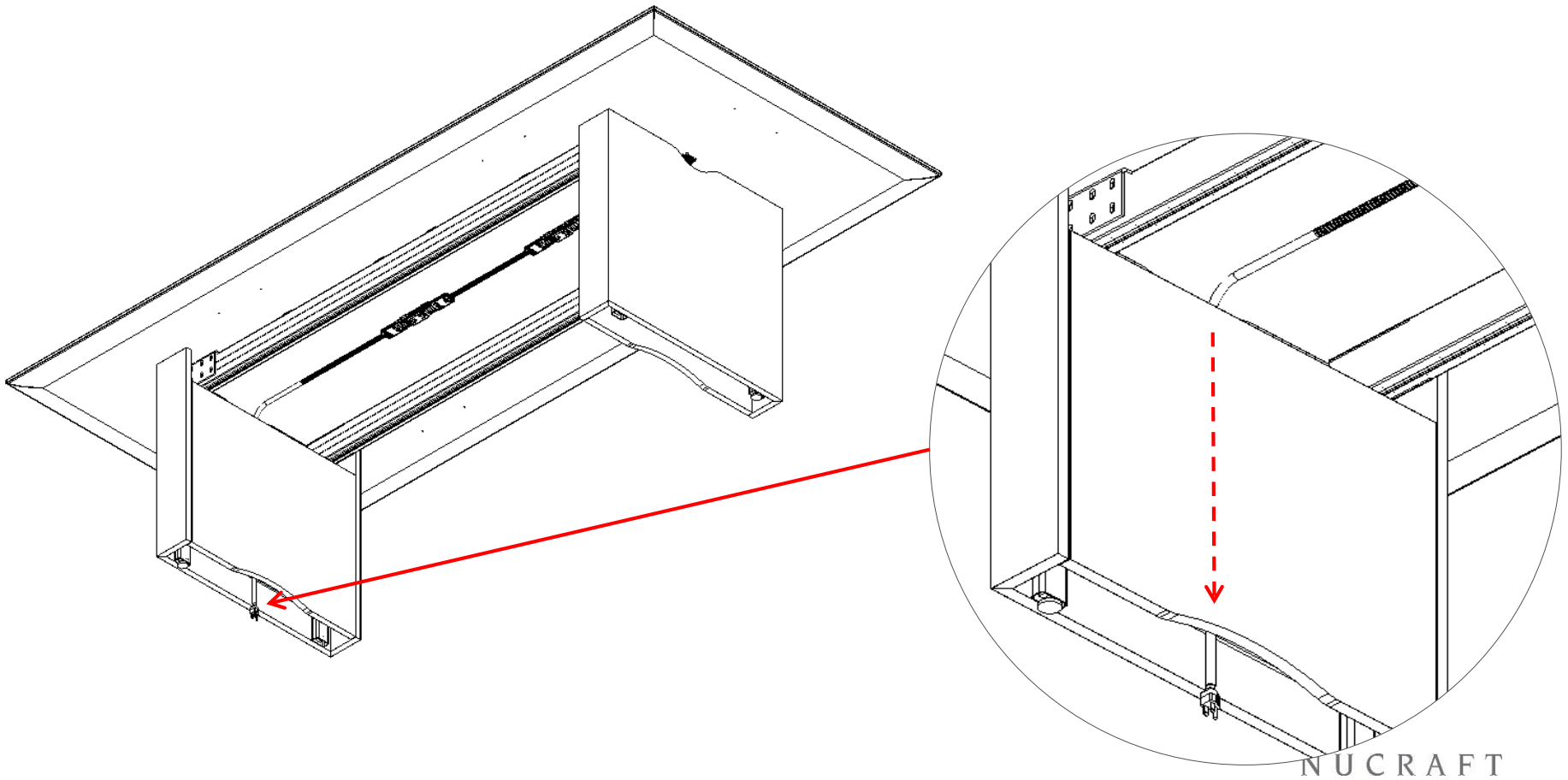
Jump Split



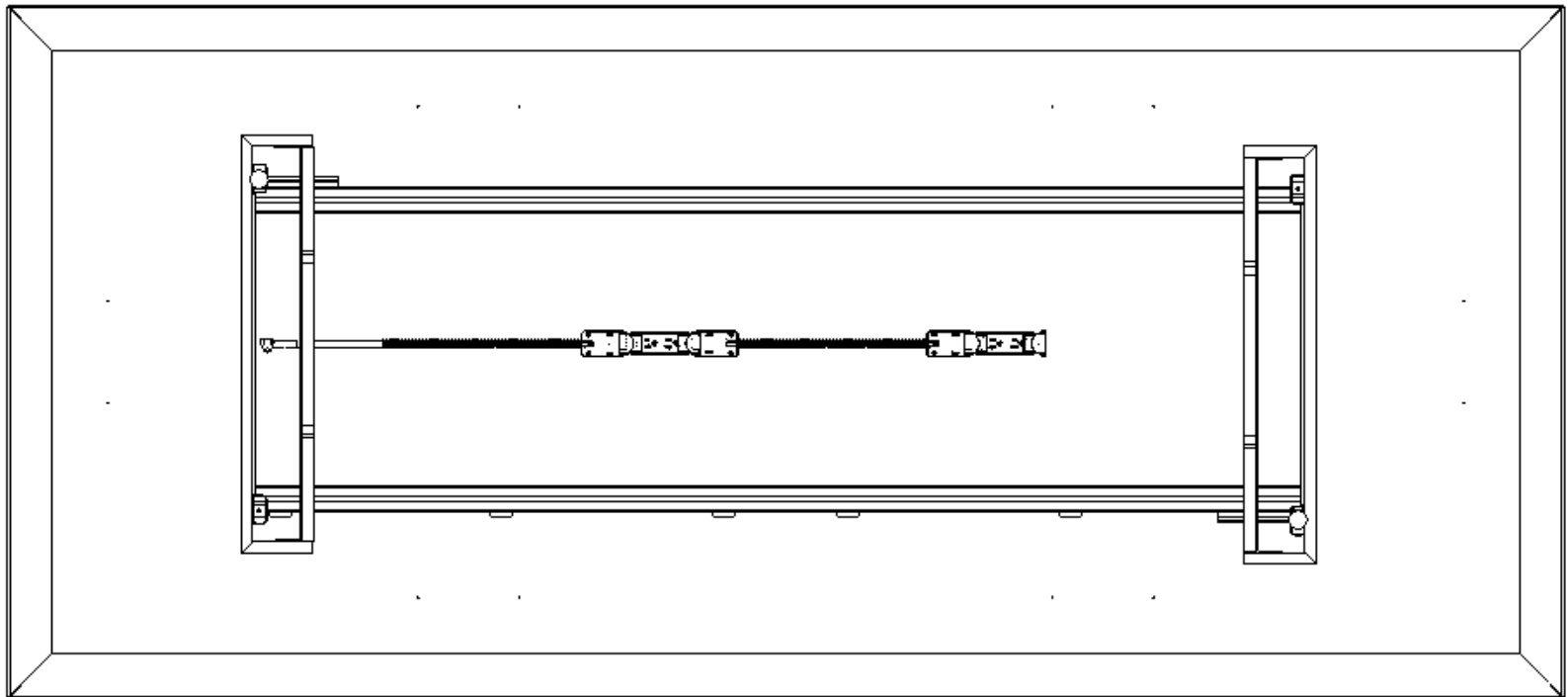
Duplex Split

Step 4: Infeed

- Connect the plug-in or hardwire infeed to the duplex (or jumper) nearest the desired base. Then run the infeed down through the base to the customer's floor core.



Single Infeed Bottom View



Center Infeed Bottom View

