

NUCRAFT

Myne Installation Instructions

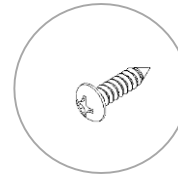
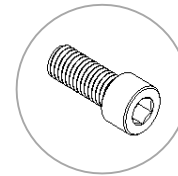
ID:

Before Beginning Installation

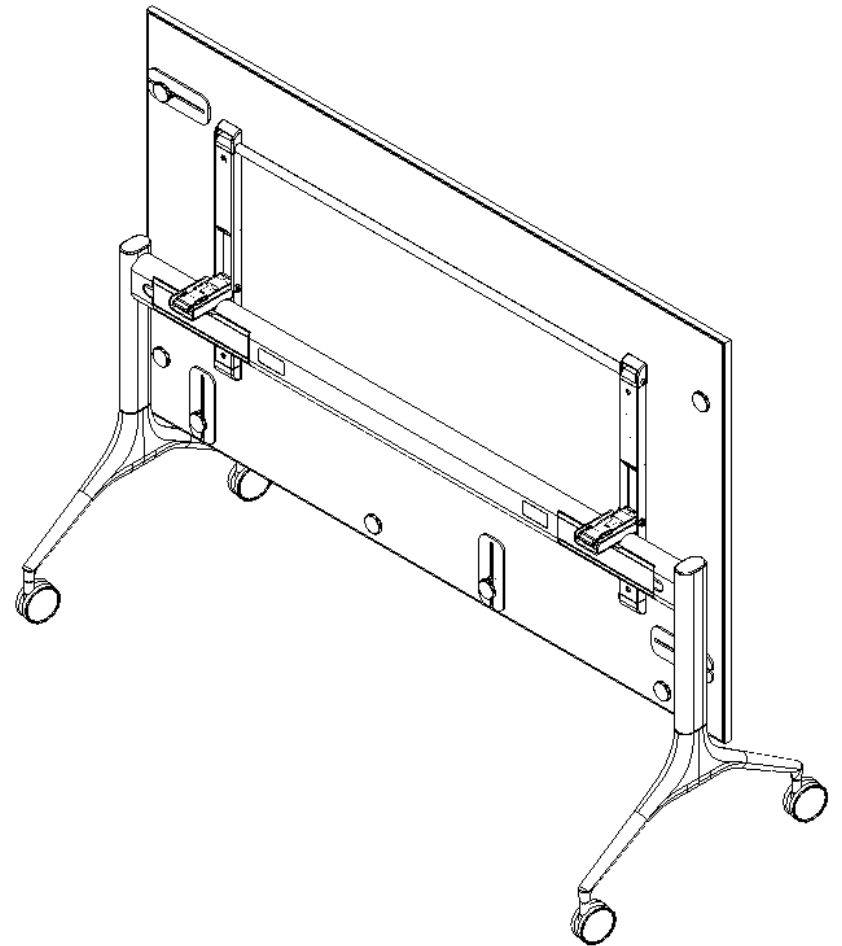
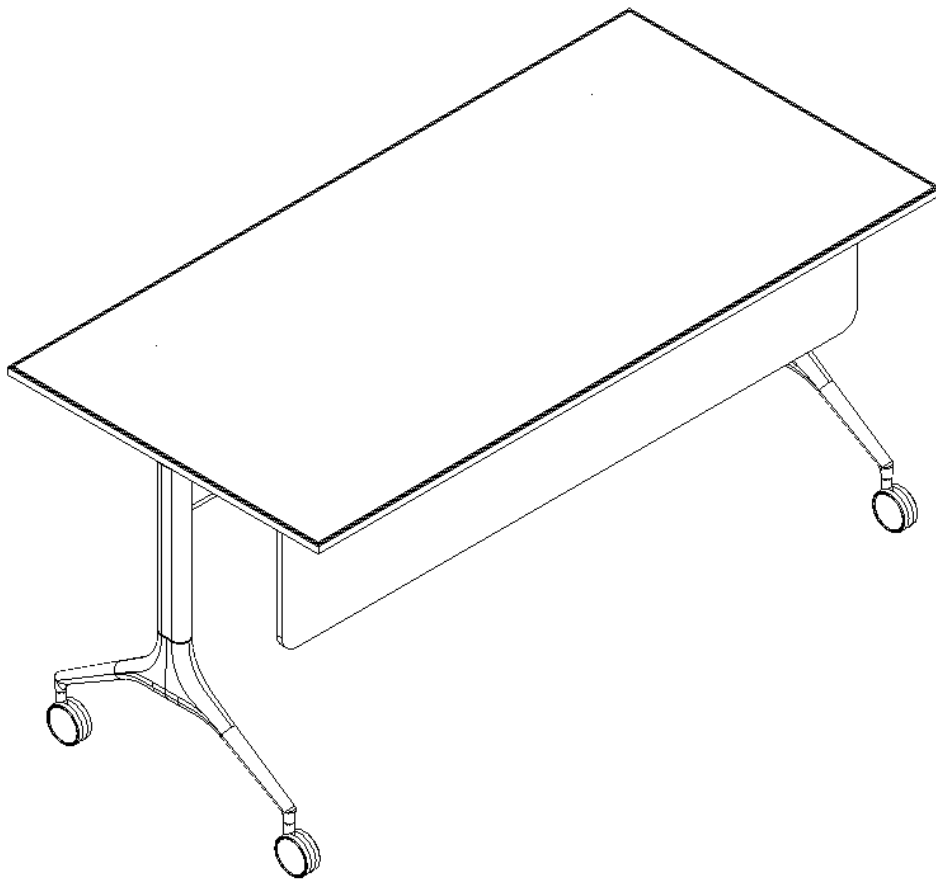
- Read through the entire instruction thoroughly
- A minimum of 2 persons is required for this assembly
- These instructions reflect typical assemblies. They may not match your specific configuration.

Required Tools

- Drill Driver
 - #2 Phillips Head Bit
 - 5/32 Allen Wrench
 - 13mm Wrench or 13 mm socket/ratchet (x2)
 - 3/8 Allen Extension (provided)
- Hardware
 - HW8883
 - HW0747



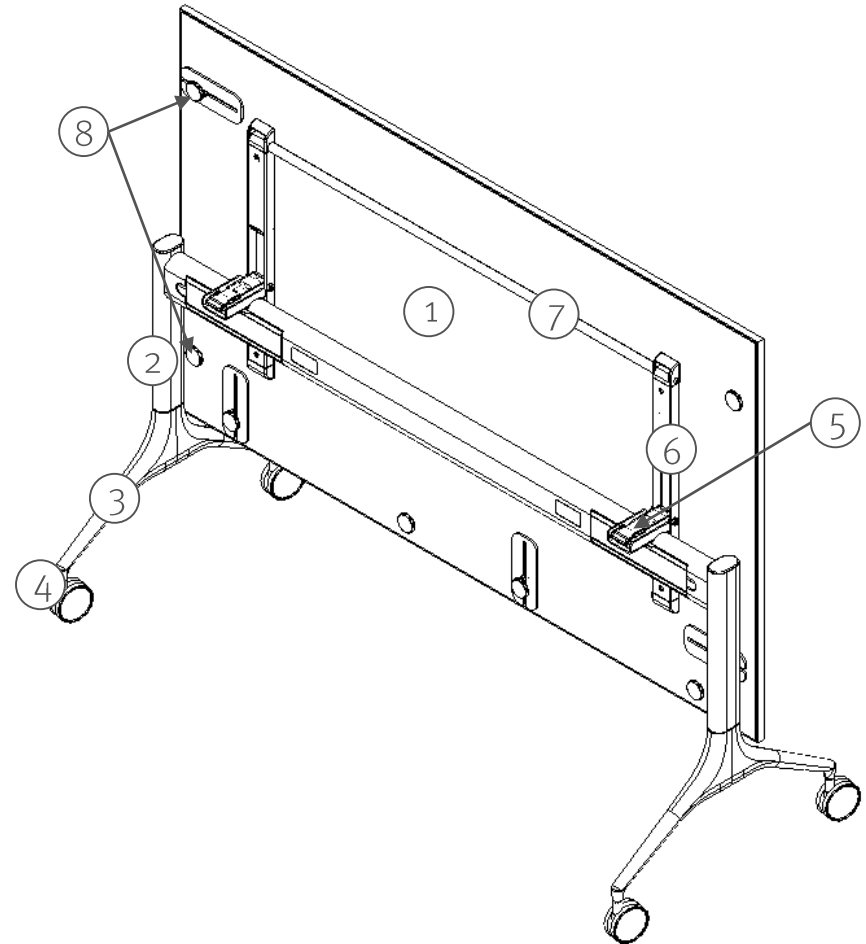
Myne



NUCRAFT

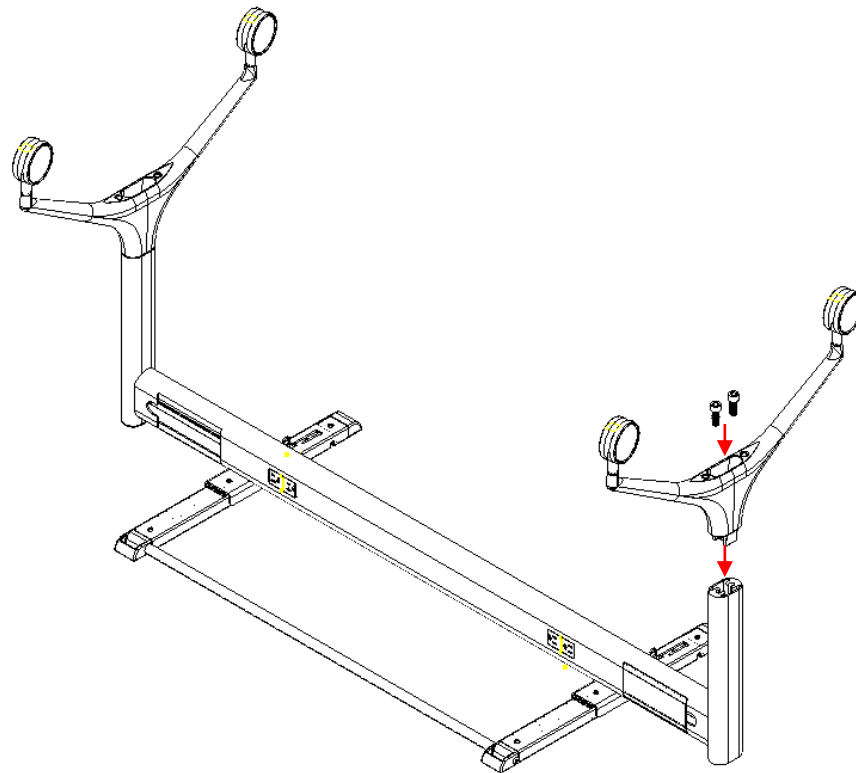
Myne Exploded View

1. Top
2. Base Leg
3. Base Feet
4. Casters
5. Flip Mechanism
6. Flip Arm
7. Flip Bar
8. Ganging Connectors



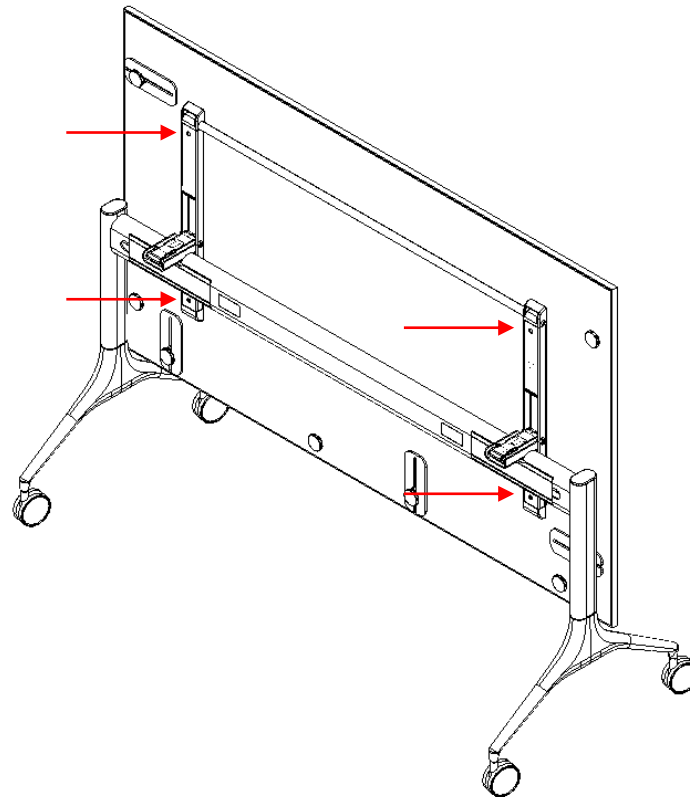
Step 1: Base Structure

- Begin with the base frame upside down.
- Secure the feet to leg, through the center of the foot, with two HW8883 bolts each. A 3/8 Allen extension is provided for easier access.
- Note: Casters will already be secured in place on the feet.



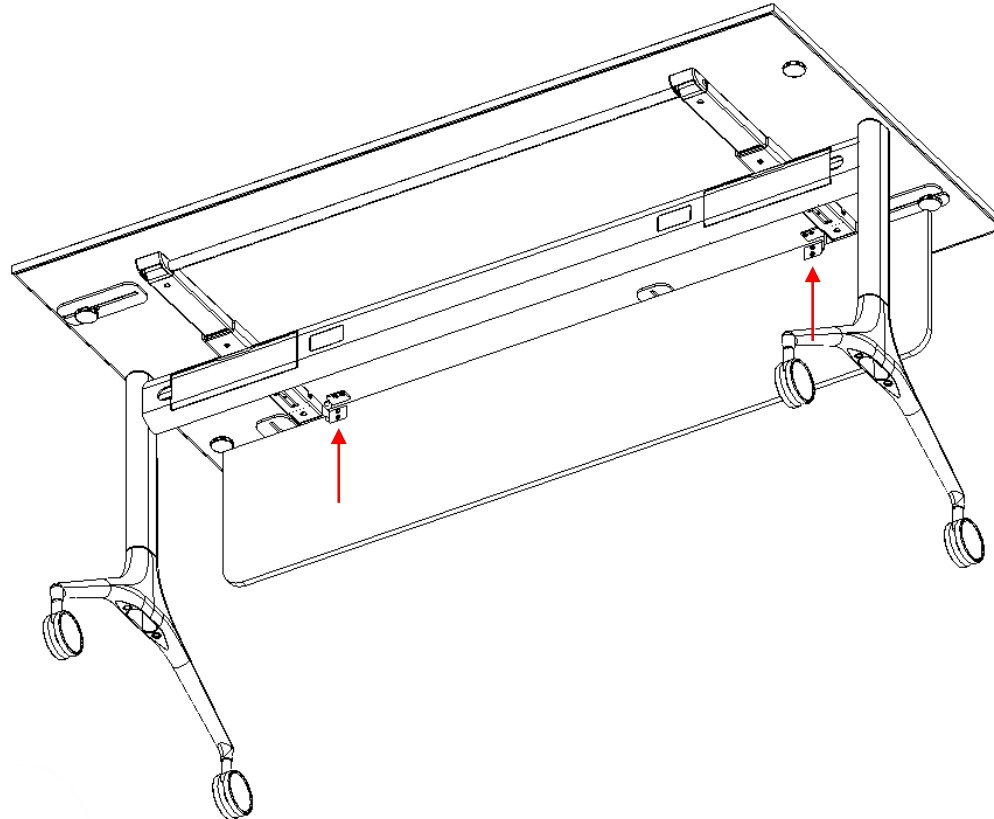
Step 2: Top

- Screw the arms to the underside of the work surface with HW0747. There are pilot holes in the work surface for aligning the arms.
- Be sure the ganging connectors are to the front of the table, and the nesting handle is to the back of the table.



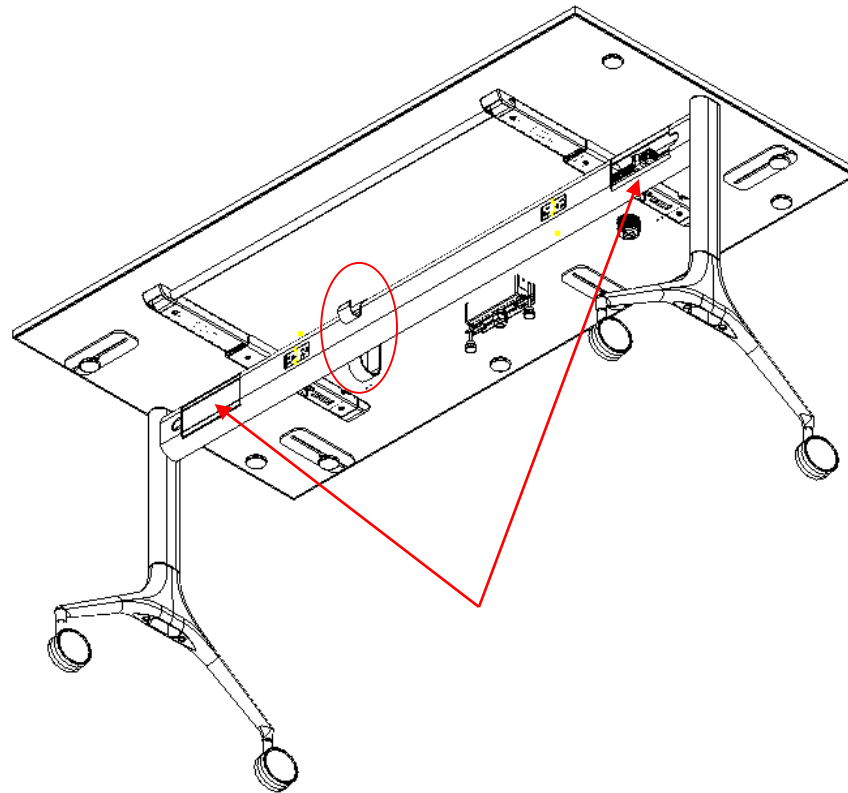
Step 3: Modesty Panel (if applicable)

Secure modesty by screwing (HWO664) from the mounting hook to the predrilled holes on the underside of the work surface.



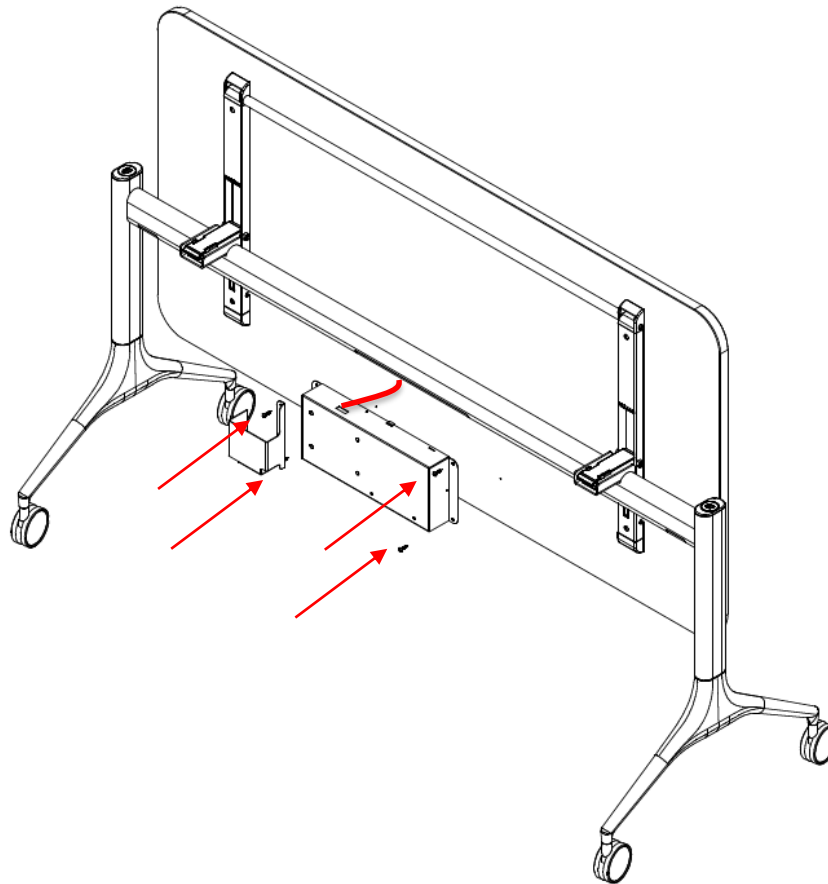
Step 5: Powered Tables (if applicable)

- To connect power from one table to another, jumpers are used.
 - Remove plate on base to connect the jumpers to the duplexes inside the table.
 - When replacing the place, the jumper will run through the mouse hole.
 - For wire management use provided hooks.



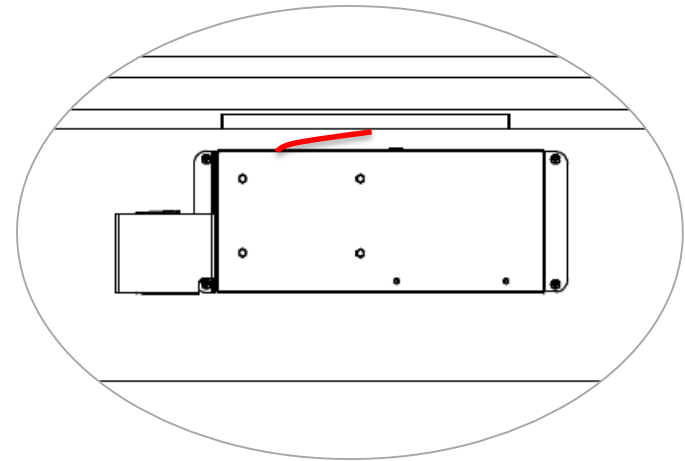
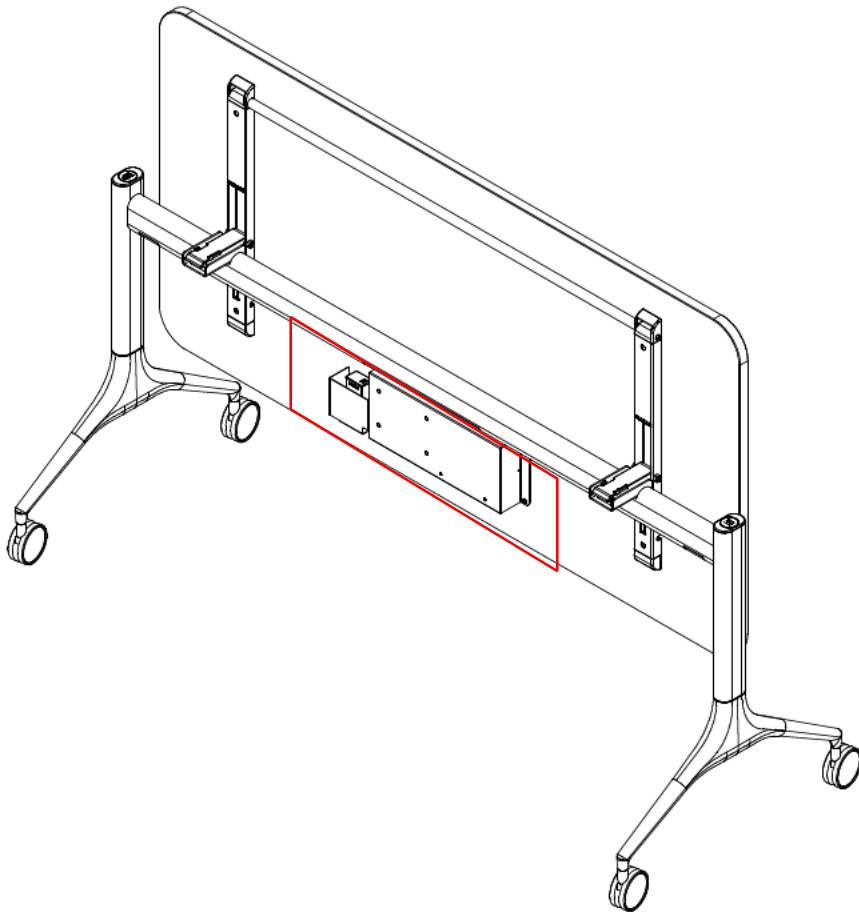
Step 6a: DC Unit Installation (if applicable)

Using the hardware provided and a #2 Phillips driver attach the DC Unit to the underside of the top. There are pilot holes in the work surface for alignment.



Step 6b: DC Unit Installation (if applicable)

Insert wire connection into DC unit to connect table to power.



Step 7: Battery Powered Charging Cap

Battery Powered Charging Cap Cord Plug-Ins:

- The MYB-USB1 has 2 chords, and the MYB-USB2 has 3 chords that will plug into the DC unit.
- The cords will run through the center beam of the table and out of the center cord pass through.
- The chords with the smaller plug will go into port 1 and 2.
 - Both ports can take either of the smaller cord plugs.
- The chord with the large plug will go into the circled port.
 - This cord must be plugged into this port specifically.

