

NUCRAFT

Tavola Standing Height and Credenza
Installation Instructions

ID:

Before Beginning Installation

- Read through the entire instruction thoroughly
- A minimum of 2 persons is required for this assembly
- These instructions reflect typical assemblies. They may not match your specific configuration.

Required Tools

- Level
- PODS for glass handling

Tavola Standing Height Table

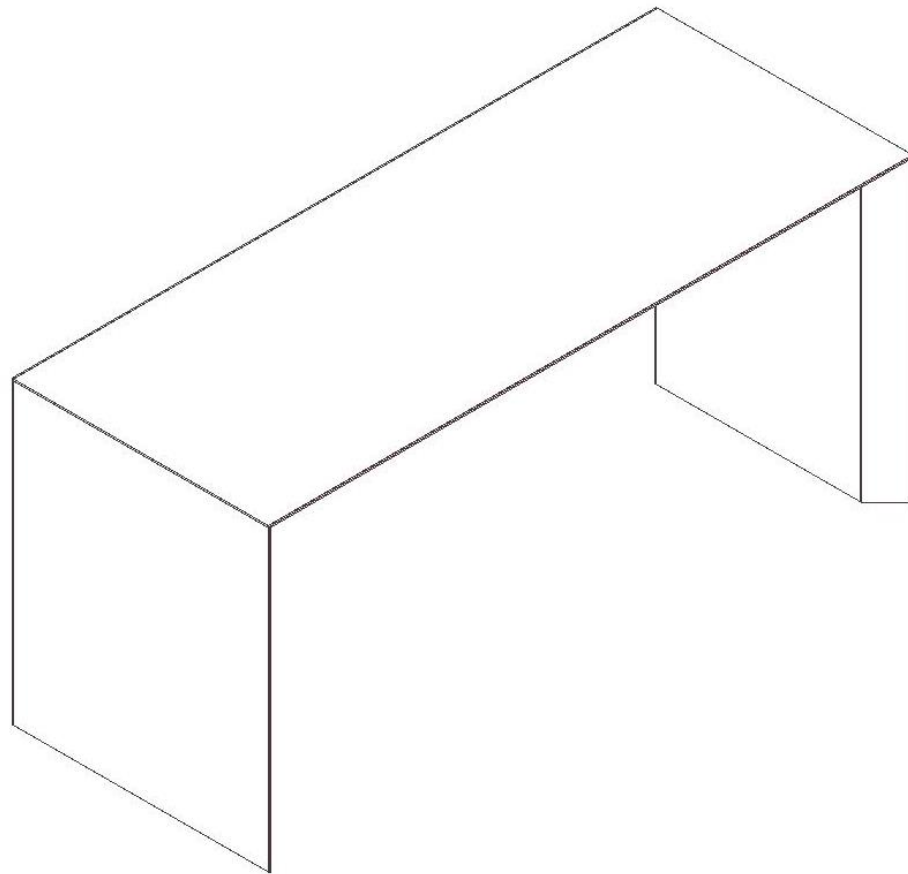


Tavola Standing Height Exploded

1. Frame
2. Side Panels
3. Top

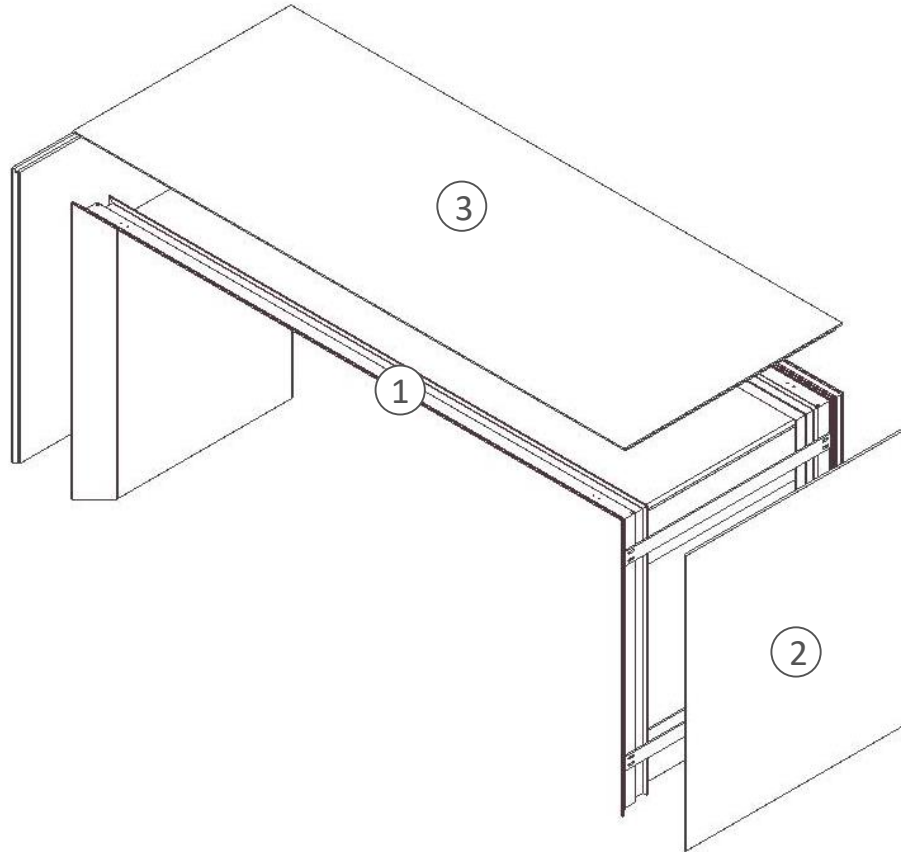


Tavola Credenza

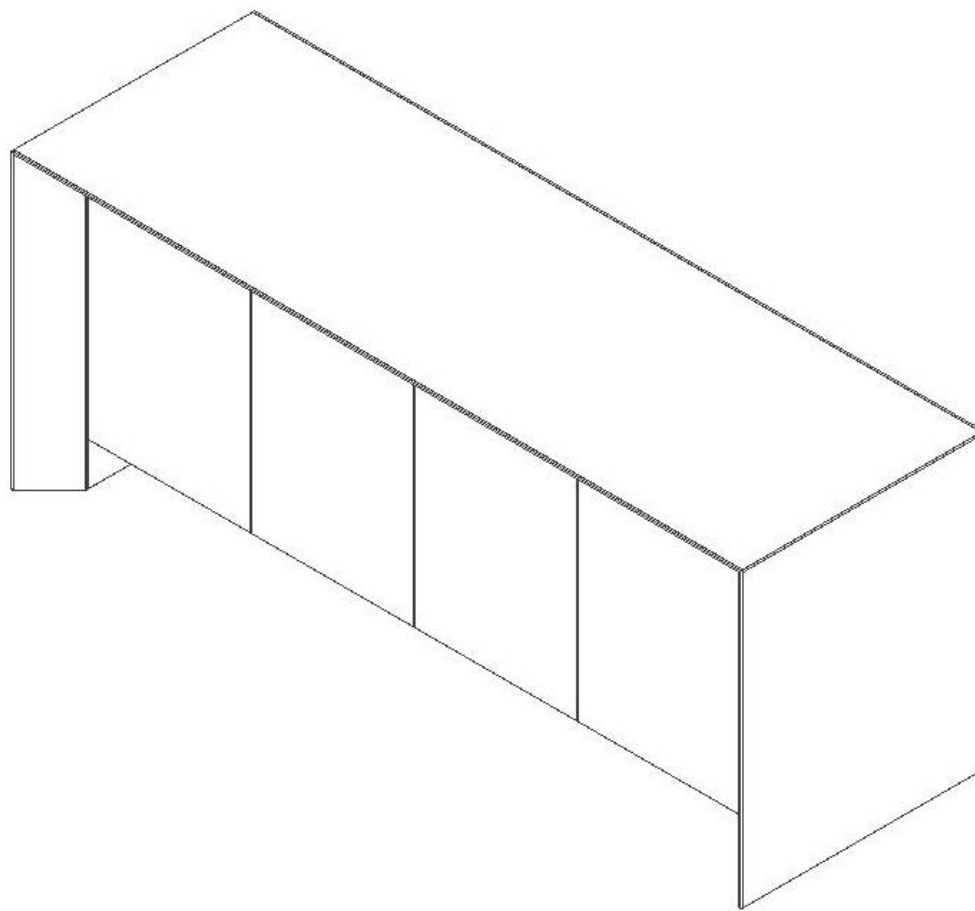
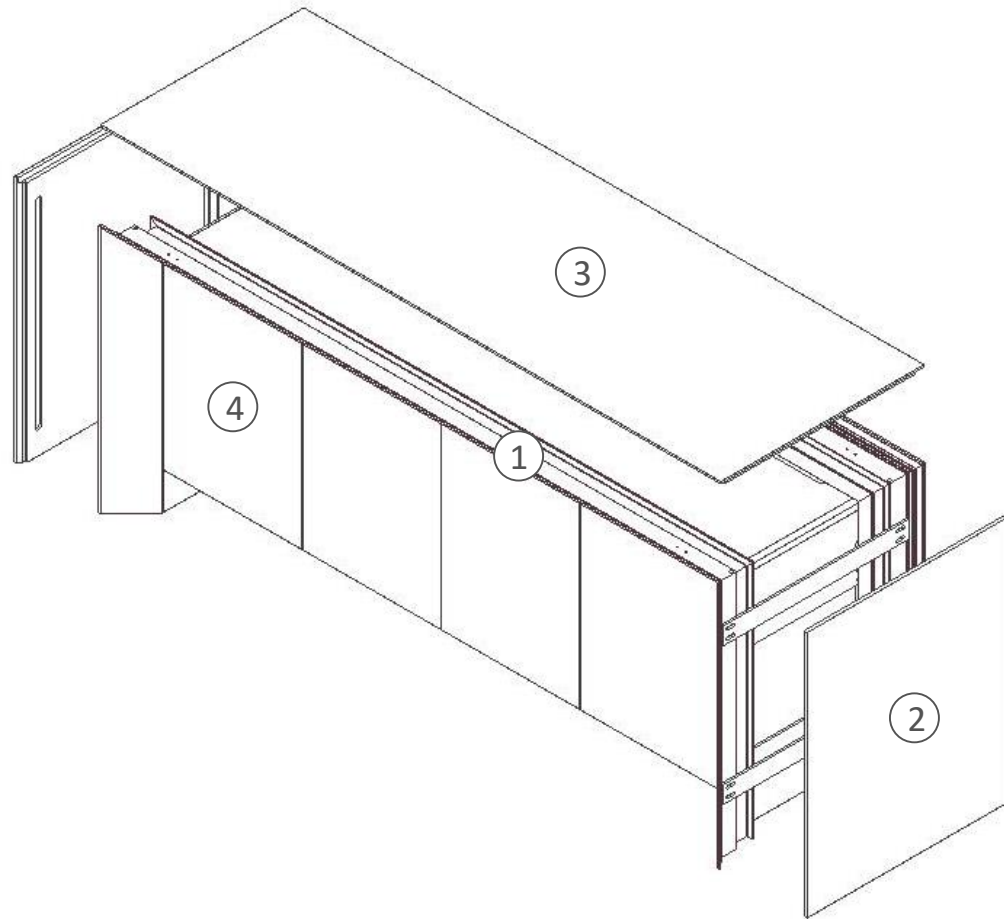


Tavola Credenza Exploded

1. Frame
2. Side Panels
3. Top
4. Case



Setting Glass

- Locate credenza in it's final position
- Level
- Remove cardboard spacers.
- Using suction pods, set the top glass in place.

