

AERIAL REFRESHED

(rev) 9-2014

N U C R A F T

Installation Instructions

Before Beginning Installation

- Read through the entire instruction thoroughly
- A minimum of 2 people are required for this assembly
- These instructions reflect typical assemblies; They may not match your specific configuration

Required Tools & Hardware

- Drill Driver
- #2- #3 Phillips Bit
- 3/8" Nut Driver
- Laser Level
- 5/32"- 3/16" Allen Wrench

1



2



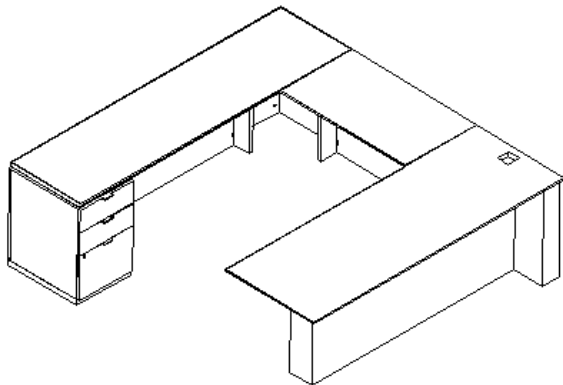
3



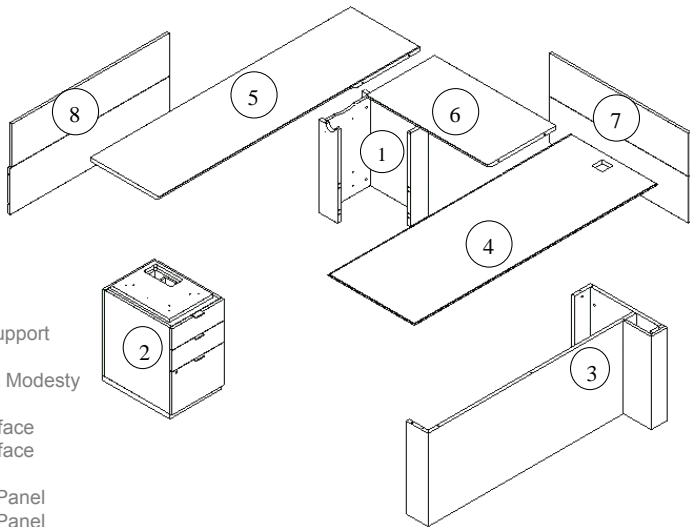
4



Aerial U-Shape

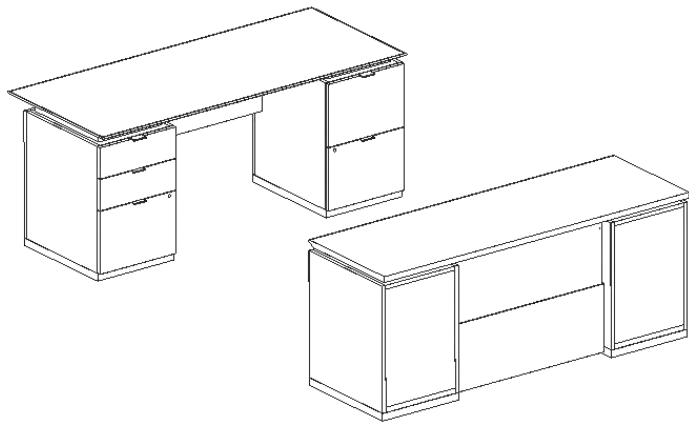


Aerial U-Shape Exploded

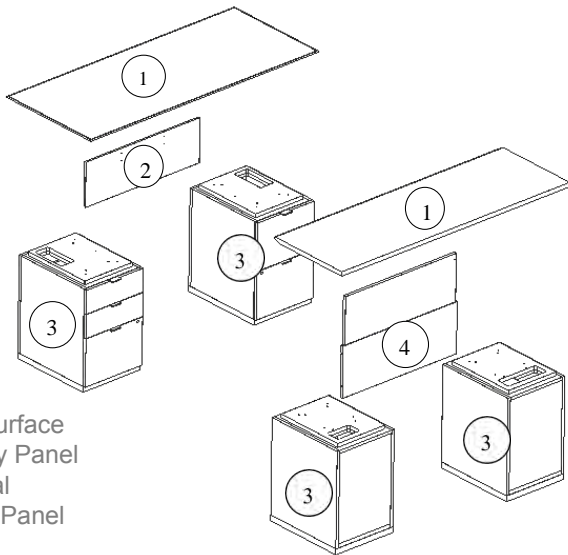


1. Corner Support
2. Pedestal
3. Credenza Modesty Panel
4. Work Surface
5. Work Surface
6. Bridge
7. Modesty Panel
8. Modesty Panel

Aerial Freestanding

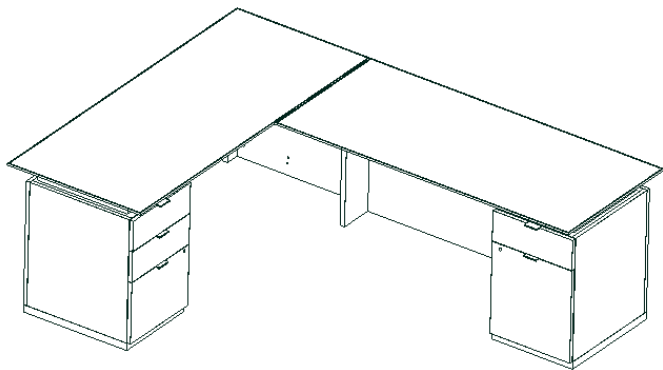


Aerial Freestanding Exploded

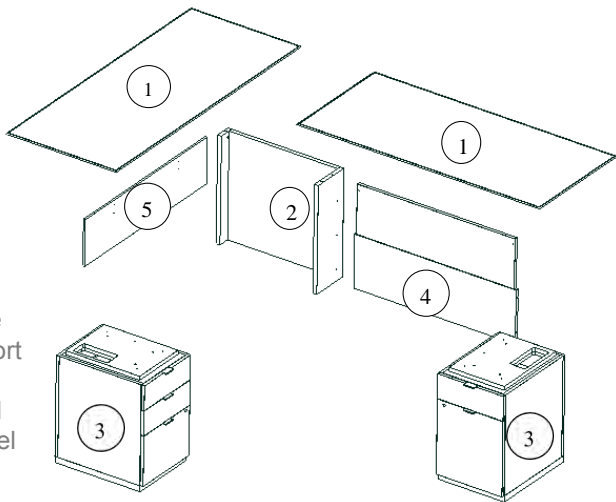


1. Work Surface
2. Modesty Panel
3. Pedestal
4. Access Panel

Aerial L-Shape



Aerial L-Shape Exploded

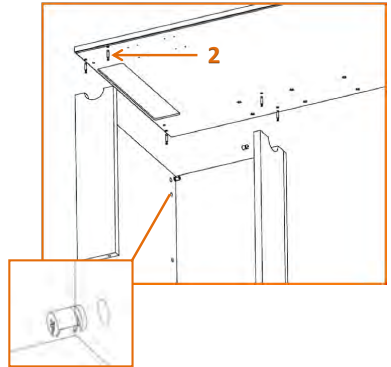


1. Work Surface
2. Corner Support
3. Pedestal
4. Access Panel
5. Modesty Panel

Step 1

Attaching a Corner Support

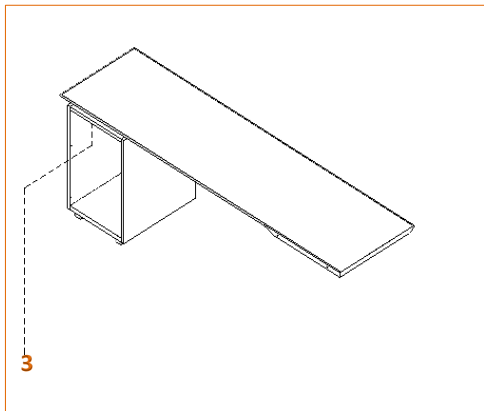
- Thread cam posts **2** into the inserts on the underside of the work surface.
- Align cam posts with the holes in the top of the corner support.
- Tighten the cams with a half turn clockwise.



Step 2

Attaching Pedestal to Work Surface

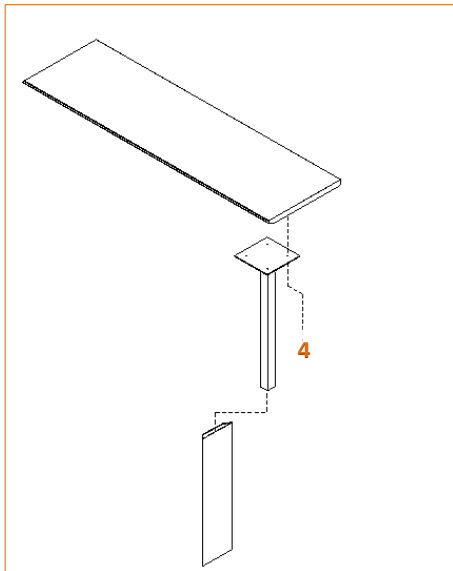
- Locate the pedestal on the edge of the work surface.
- The back and side of the pedestal should be flush with the work surface.
- Secure the work surface to the pedestal using supplied hardware **3**.



Step 3

Attaching a Metal Leg to Work Surface

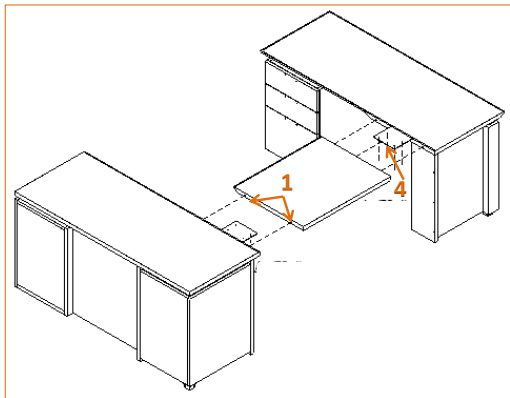
- Locate the metal leg and base plate over the pre-drilled holes in work surface.
- Attach metal leg to work surface using provided hardware **4**.
- Slide shroud over the leg. (if applicable)



Step 4

Attaching the Bridge

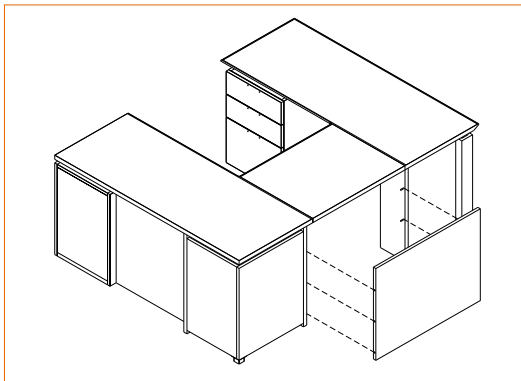
- Arrange mending plate(s) on work surface(s) so half is exposed for the bridge.
- Insert pins **1** into the bridge. Align with holes in the adjoining work surface(s).
- Tighten the cams and attach mending plates to bridge with provided hardware **4**.



Step 5

Attaching a Back Panel/Access Panel

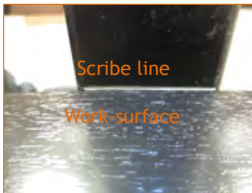
- Ensure the station is completely level.
- Align the back panel onto the affix posts.
- Secure in place by turning the cams clockwise until tight.



Step 6

Installing Stanchions

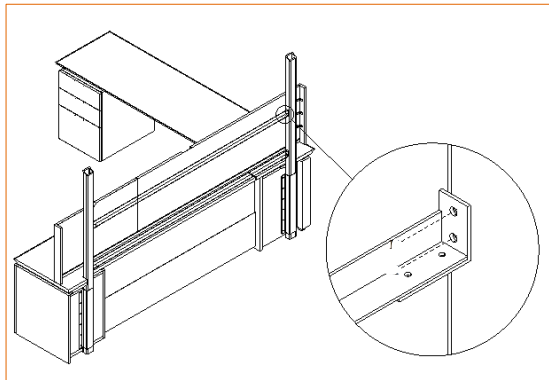
- With the unit pulled away from the wall, loosen but do not remove the four connector bolts on the stanchion bracket. (Located inside ped, or corner support)
- Place stanchions in the channels. Adjust glides until scribe line is flush with work surface.
- Tighten stanchion bolts.
- Attach the cross members using provided 3/8" Bolts.



Step 7

Installing Tack Board and Overhead

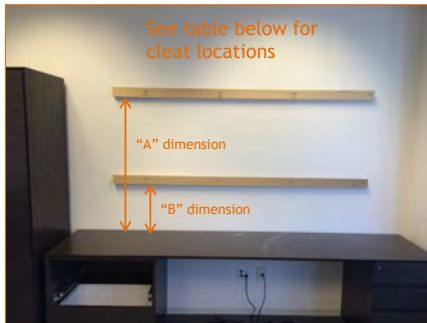
- Using the already installed “Z” clips on the tack board, hang the tack board on the cross members.
- Firmly press down on the tack board to engage the “Z” brackets completely.
- Locate overhead and hang on the stanchions.



Step 8

Installing Wall Mounted Overhead

- With the work surface in place and leveled, measure from the top of the work surface to bottom of the cleat/Z-bar.
- Use lag screws to attach on a backed wall, and toggles on a non backed wall.
- Dimensions in the table are from the top of the work surface, to the bottom of the cleat/Z-bar.



	Single Height Overhead	Double Height Overhead
"A" Dimension	1"	1"
"B" Dimension	18-3/8"	18-3/8"
"C" Dimension	32-3/4"	47"

Step 9

Installing Modesty Panel

- Locate the modesty panel to the underside of the work surface, in line with the pre-drilled holes.
- Secure the modesty panel to the underside of the work surface using the supplied hardware **4**.

