

NUCRAFT

Flow XT Installation Instructions

ID:

# Before Beginning Installation

- Read through the entire instruction thoroughly
- A minimum of 2 persons is required for this assembly
- These instructions reflect typical assemblies. They may not match your specific configuration.
- Tables 120" and less are shipped with beams and power island attached to the bases.

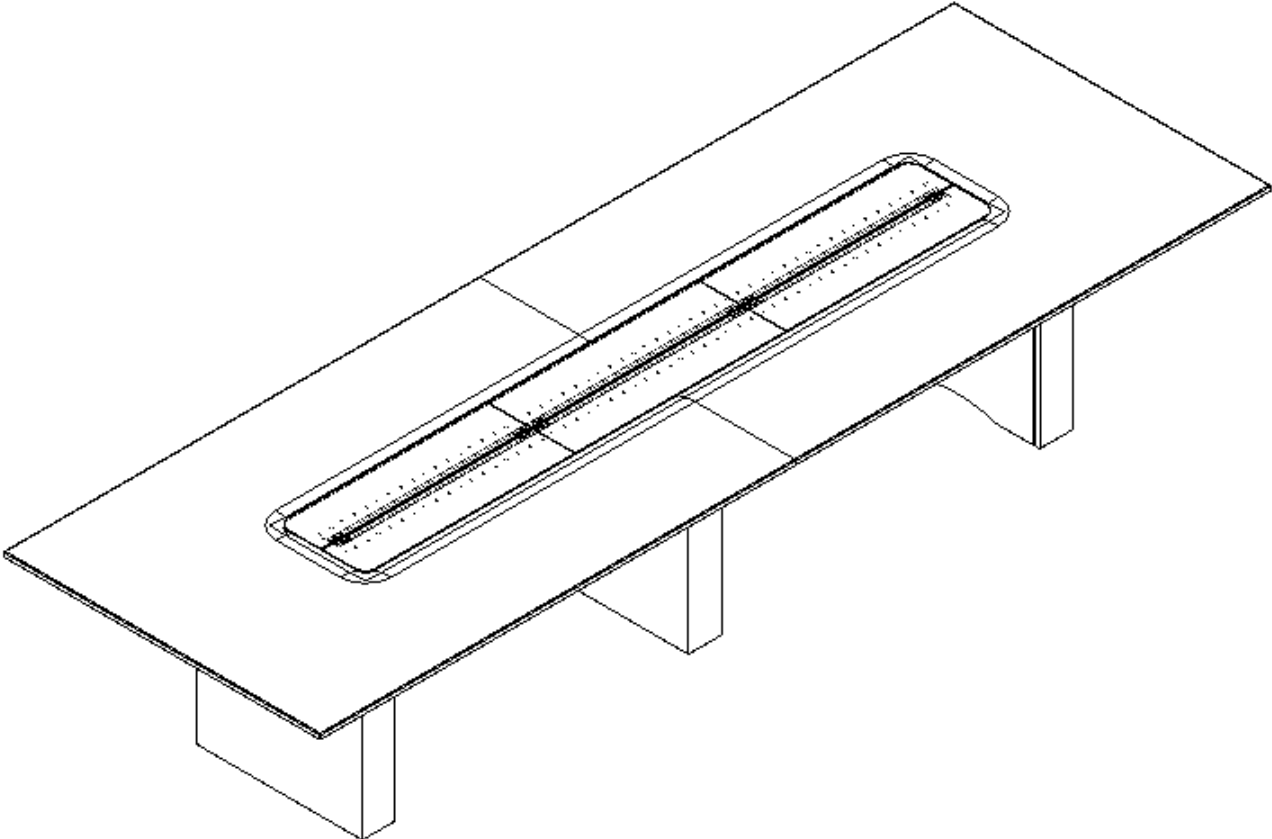
# Required Tools

- Drill Driver
- #2 and #3 Phillips Bit
- 5/32" Drill Bit
- ¼" Allen Wrench
- 1/8" Allen Wrench
- Level
- Draw-Tight Fastener Tool (included)

# Included Hardware

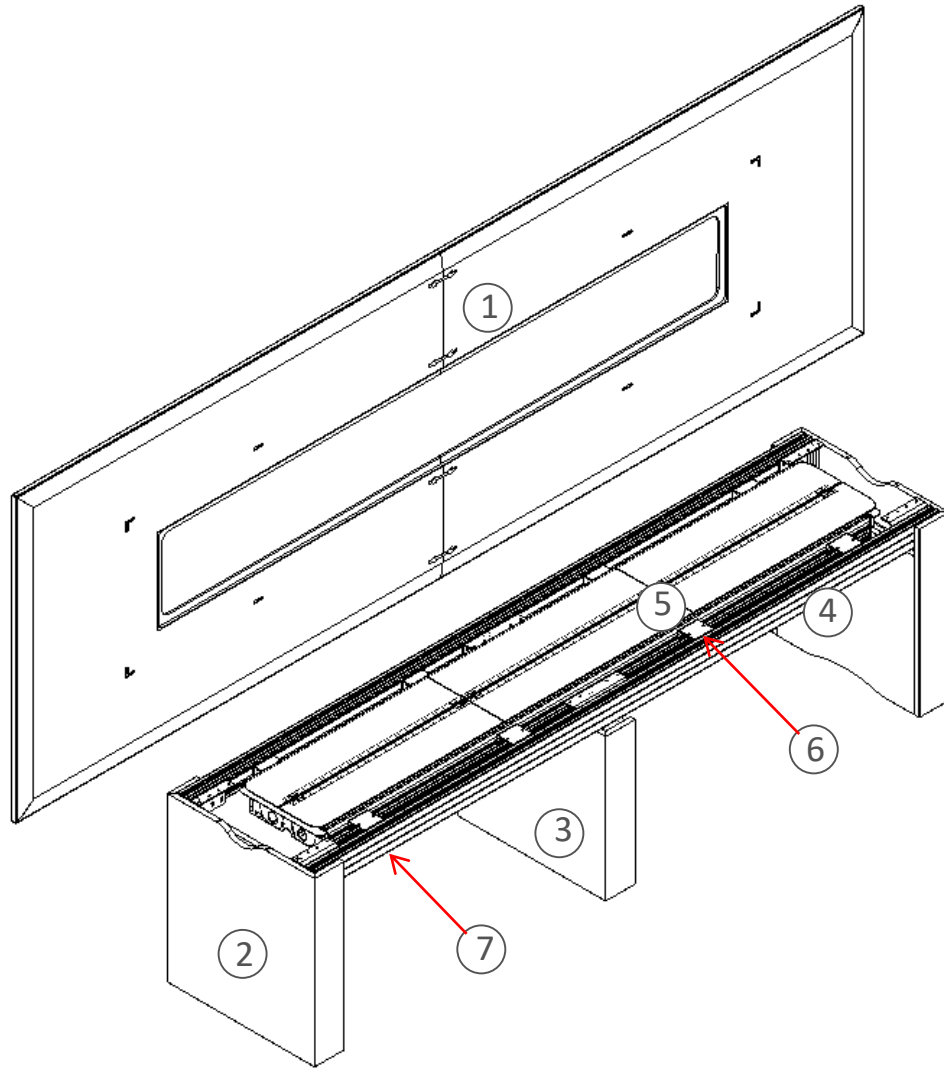
- Bolt – 3/8" UNC x 5/8" L-HW2248
- Screw – 10-12 x 1-1/4" PHIL
- Screw - #12 x 1" PAN-PHIL
- Draw-Tight Hardware
- Bolt – 5/16 – 18 x 5/8 Fit Socket Head Cap (post base leg only)

# Flow XT Table



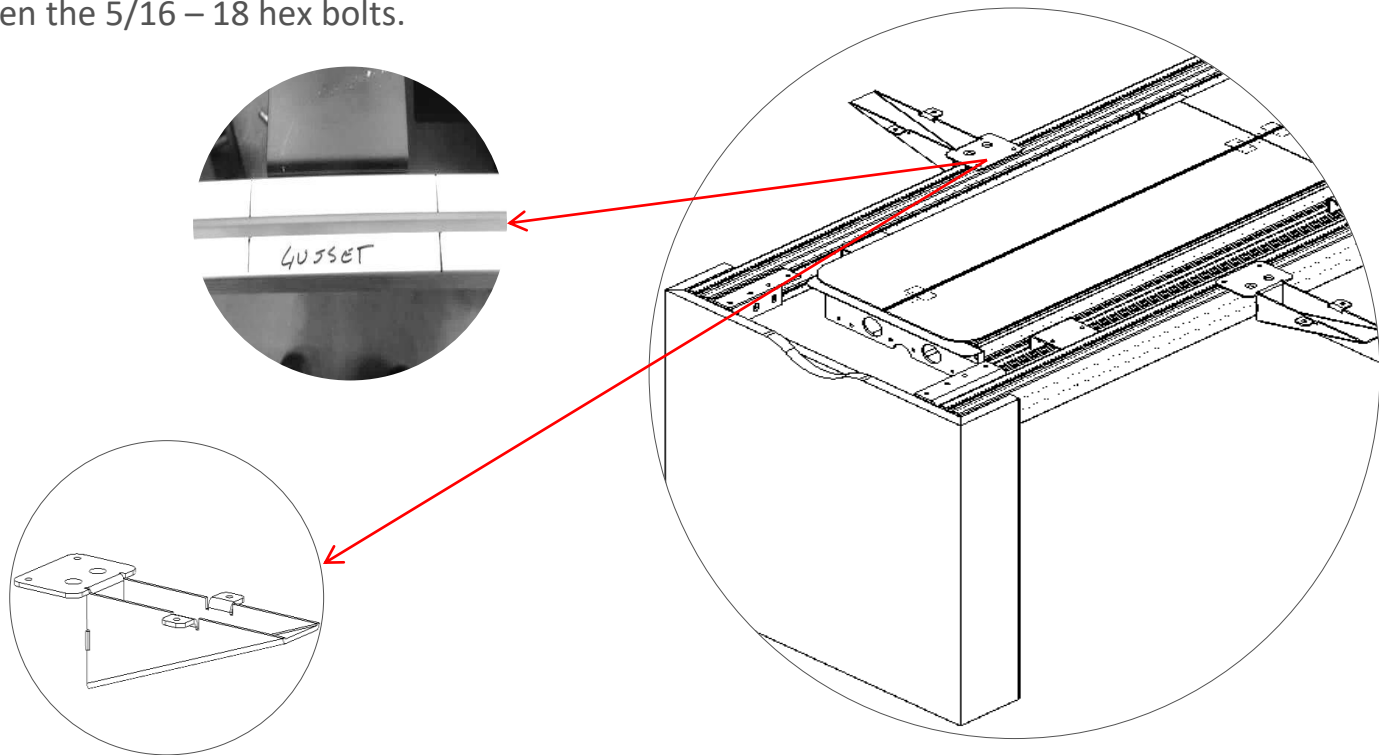
# Flow XT Table Exploded

1. Top
2. End Base
3. Center Base
4. Main Beam
5. Power Island
6. Power Island Mounting Bracket
7. Beam Shroud



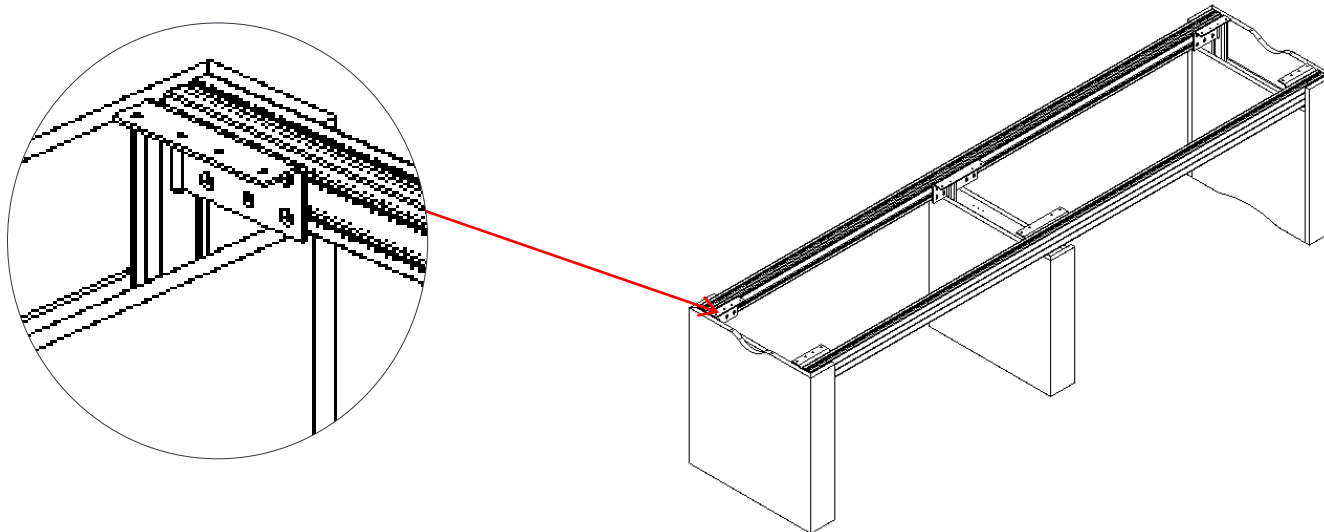
# Installation Prep – 3-Piece or 4-Piece Tops

- 3-Piece and 4-piece tops include gussets for extra support.
  - Locations are marked on the main beam.
- Slide the gusset's clamp bar onto the main beam BEFORE attaching the beam to the bases (facing outward).
- Tighten the 5/16 – 18 hex bolts.



## Step 1: Tables over 120"

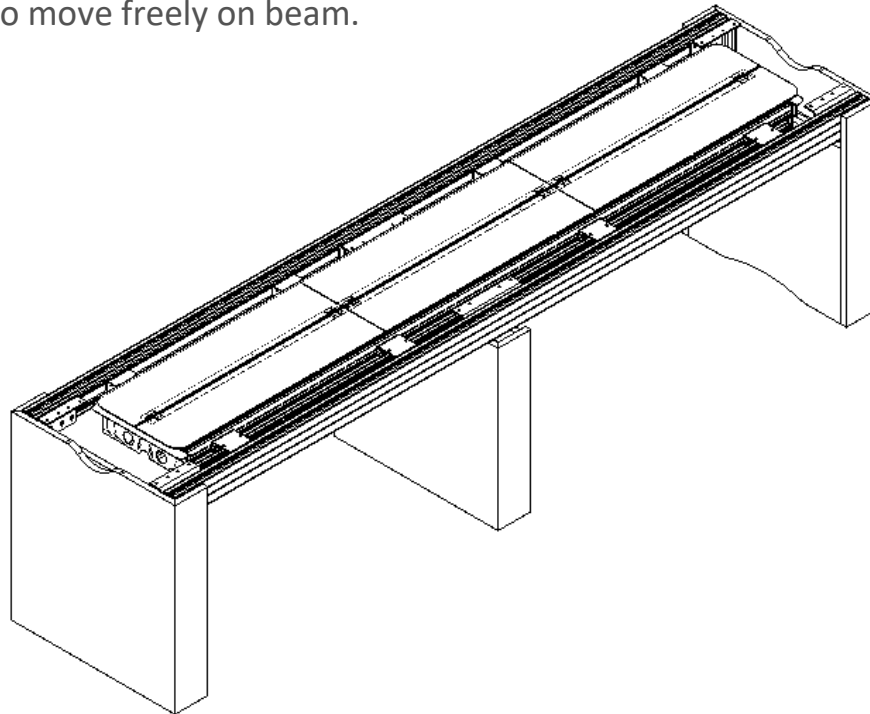
- Locate the beam labels and match for correct placement of the bases.
- Loosen clamp bars from base.
- Attach end bases by sliding the clamp bars into the beams.
  - Beams should be 1/8" from the top of the base panel.
- Tighten cap screws to secure.
- Repeat to attach beams to center base. Keep beams tight and flush at the joint.





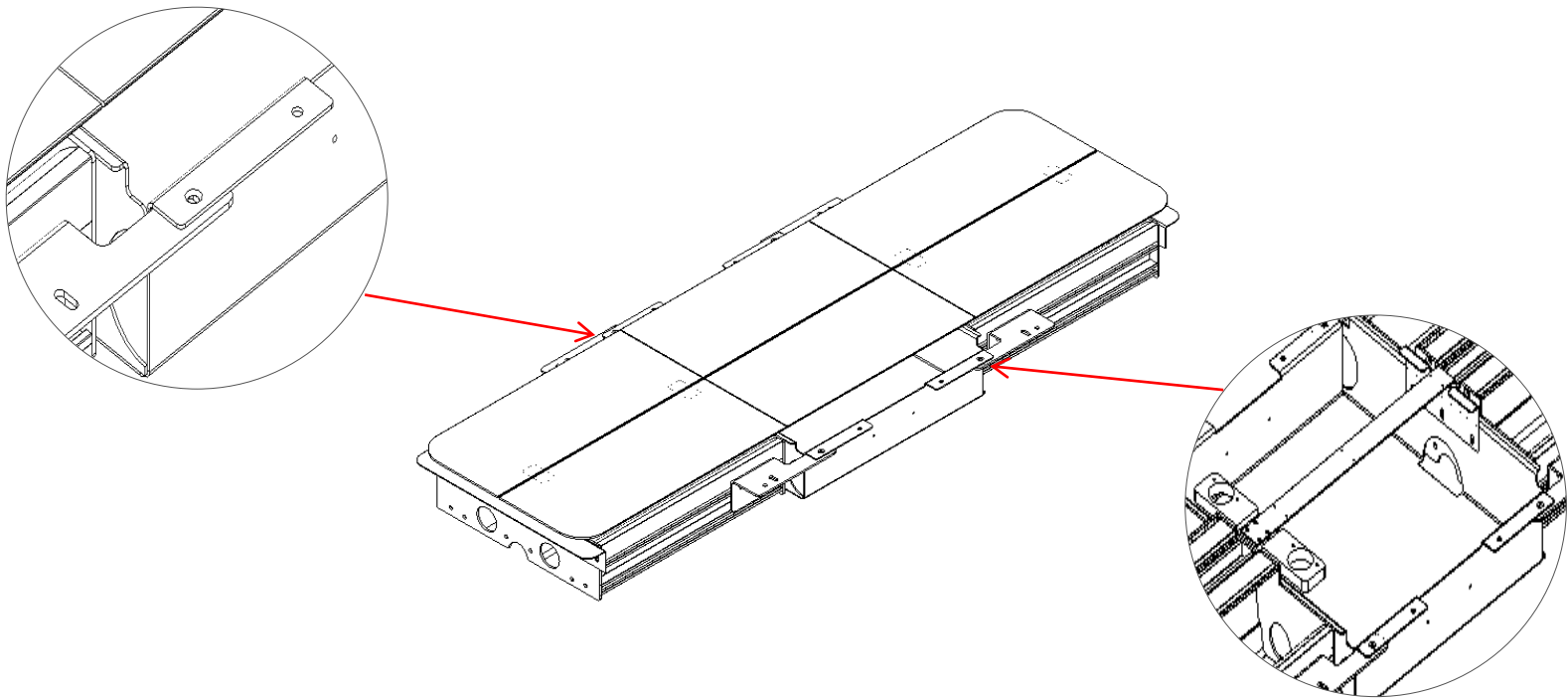
## Step 2: Power Island

- Level the frame by adjusting the base glides.
  - BEFORE adding the power island.
- Place power island onto frame. Use the 3/8" x 5/8" UNC bolts to hold the power island brackets to the beams.
  - Keep bolts loose to allow location adjustments when top is later added.
  - Tables with shipped beams and power island attached to bases, loosen the cap screws on the brackets to move freely on beam.



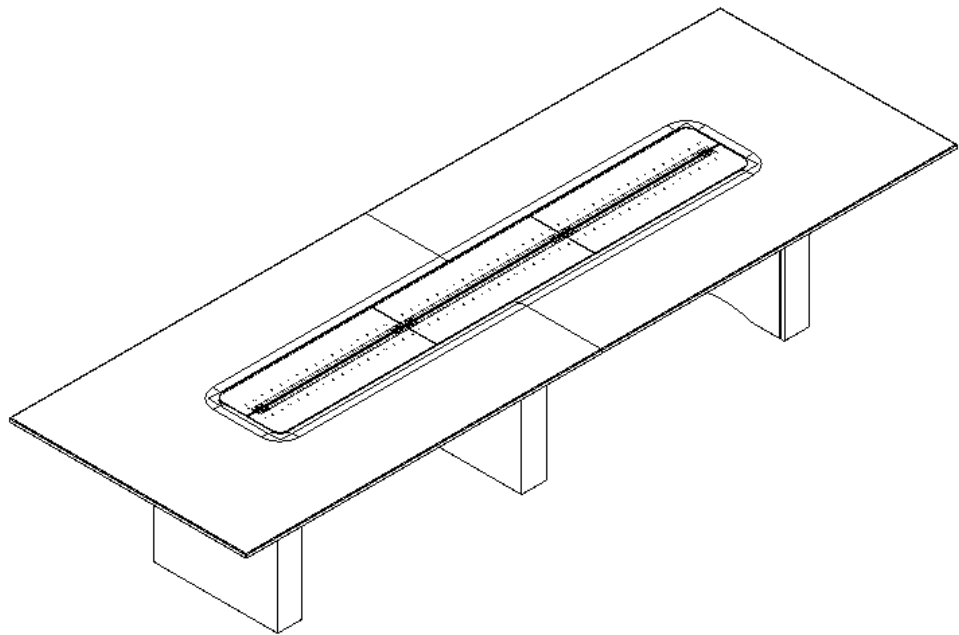
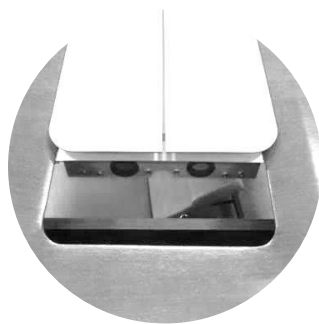
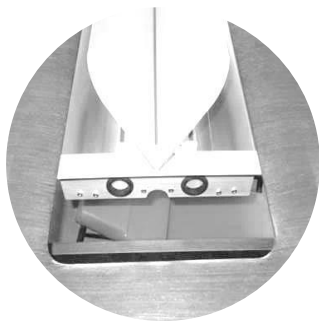
## Step 3: Storage Well Installation (if applicable)

- Place the storage well in the power island.
- Attach the well to the power island using the bracket and  $\frac{1}{4}$  - 20 x  $\frac{3}{4}$  PHIL flat fastener.
- Tighten the fastener to ensure no gaps.



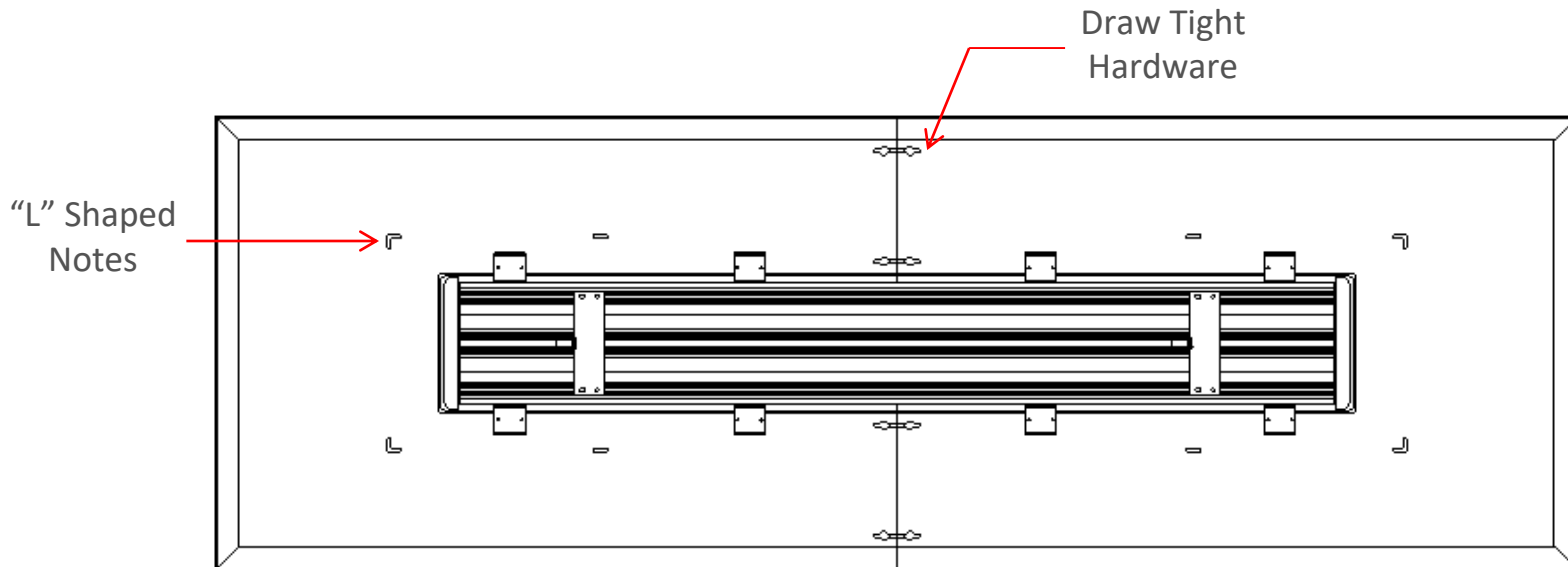
## Step 4: Top Installation

- Open the doors on the power island to avoid damage to the top.
- Slide the top within 4 inches of the two halves connecting. STOP. Close the doors on the power island before continuing to join the two halves.



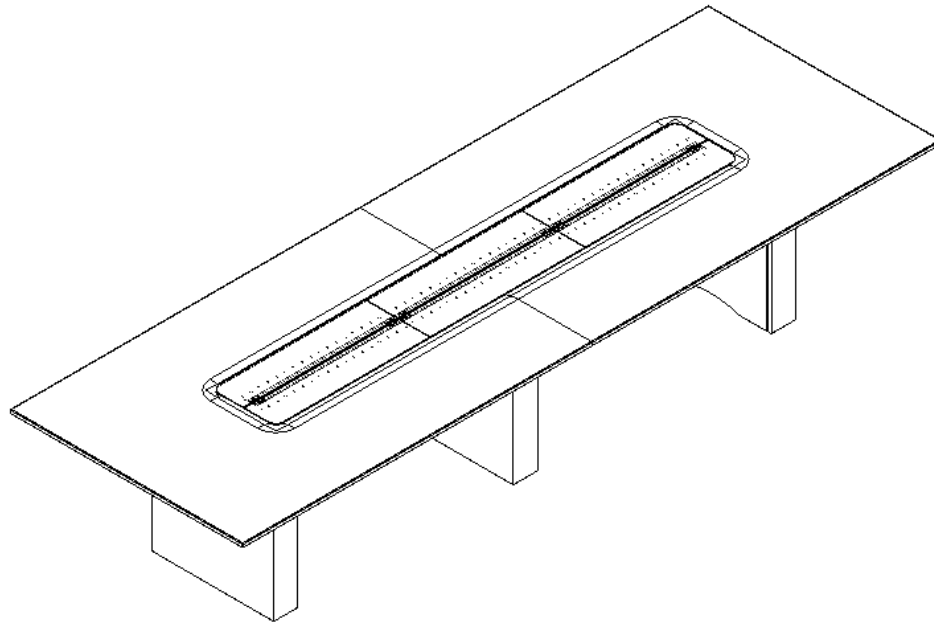
## Step 5: Work Surface Alignment

- Align the “L” shaped notes on the bottom of the top with the corners of the bases.
- Center the power island with the top before fastening to the bases.
- With multi-piece tops, join the pieces with the provided draw tight hardware.
- Fasten the work surface with the 1” #12 screws and brackets provided.



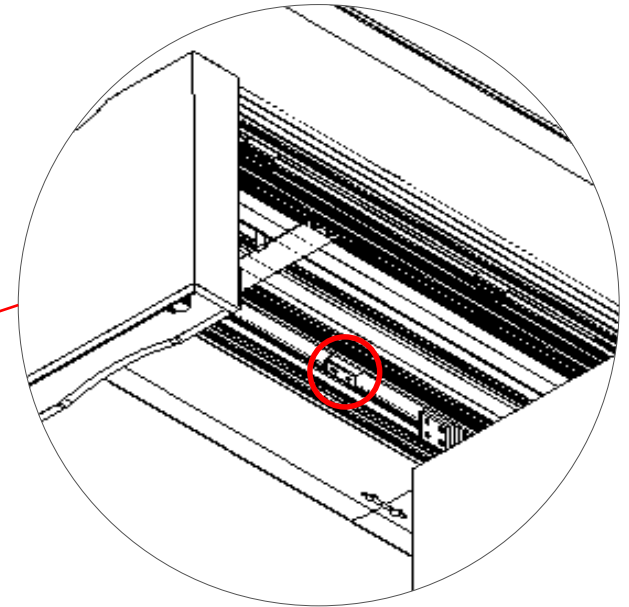
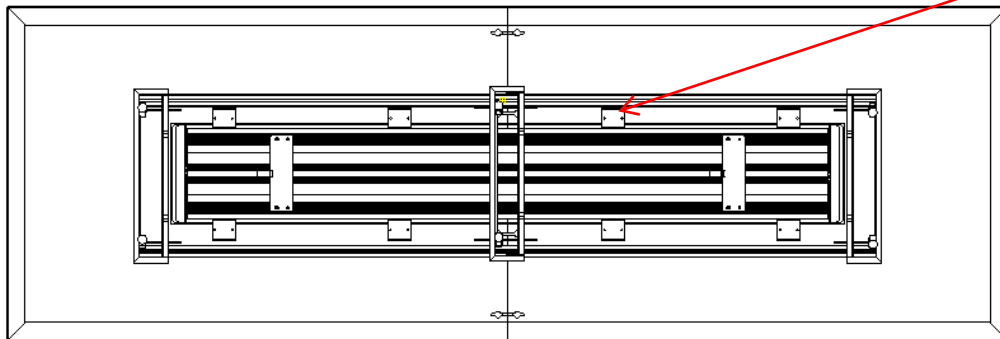
## Step 6: Fastening

- Fasten these to the underside of the top with 1" #12 screws.
  - Storage Well
  - Power Island Brackets
  - Gussets from the frame
- Tighten the cap screws that attach the power island to the beams
- Install the supplied shroud on the bottom of the frame using the 10-12-1/4" screw.



# Power Island Trouble Shooting

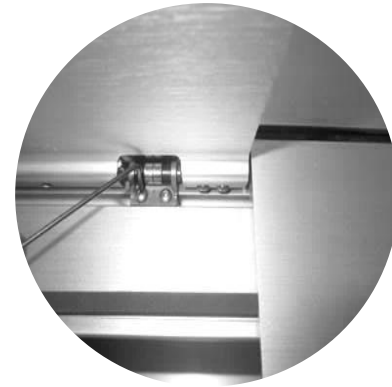
- Power Island flush to table surface:
- When the power island is not flush to the underside of the table, loosen the cap screws that connect the mounting bracket to the power island.
- Push the power island up against the underside of the table and retighten the bolts.
- Work around the table for each bracket.



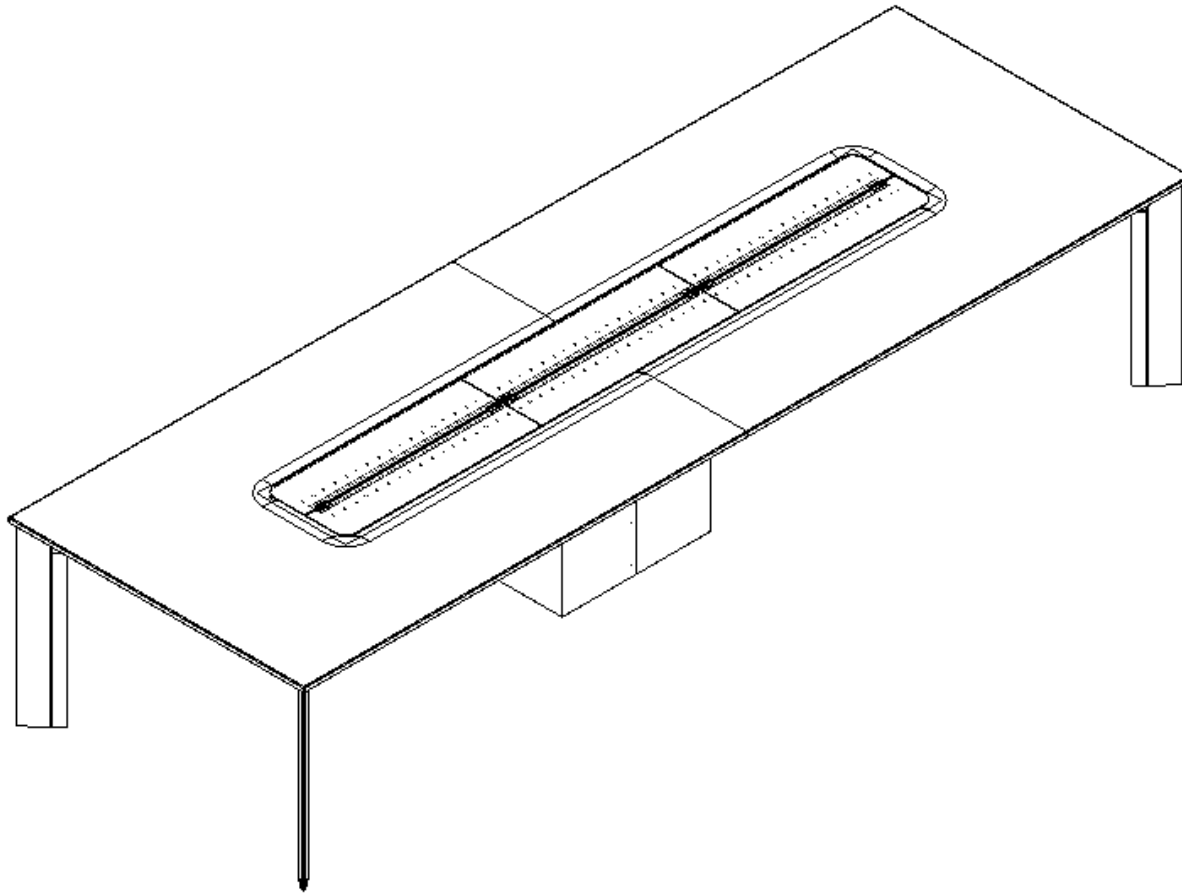
# Power Island Trouble Shooting cont.

## Power Island Door Alignment:

- When the power island doors are not aligning or laying flush to one another, use a rubber mallet to lightly tap into place.
  - Open the door slightly, and tap until the door aligns. Repeat for each affected door.
- Use a 1/16" Allen wrench to tighten the hinge attachment screws.
- This does not work for storage well doors. In this case, adjust the hinges to better align the doors.



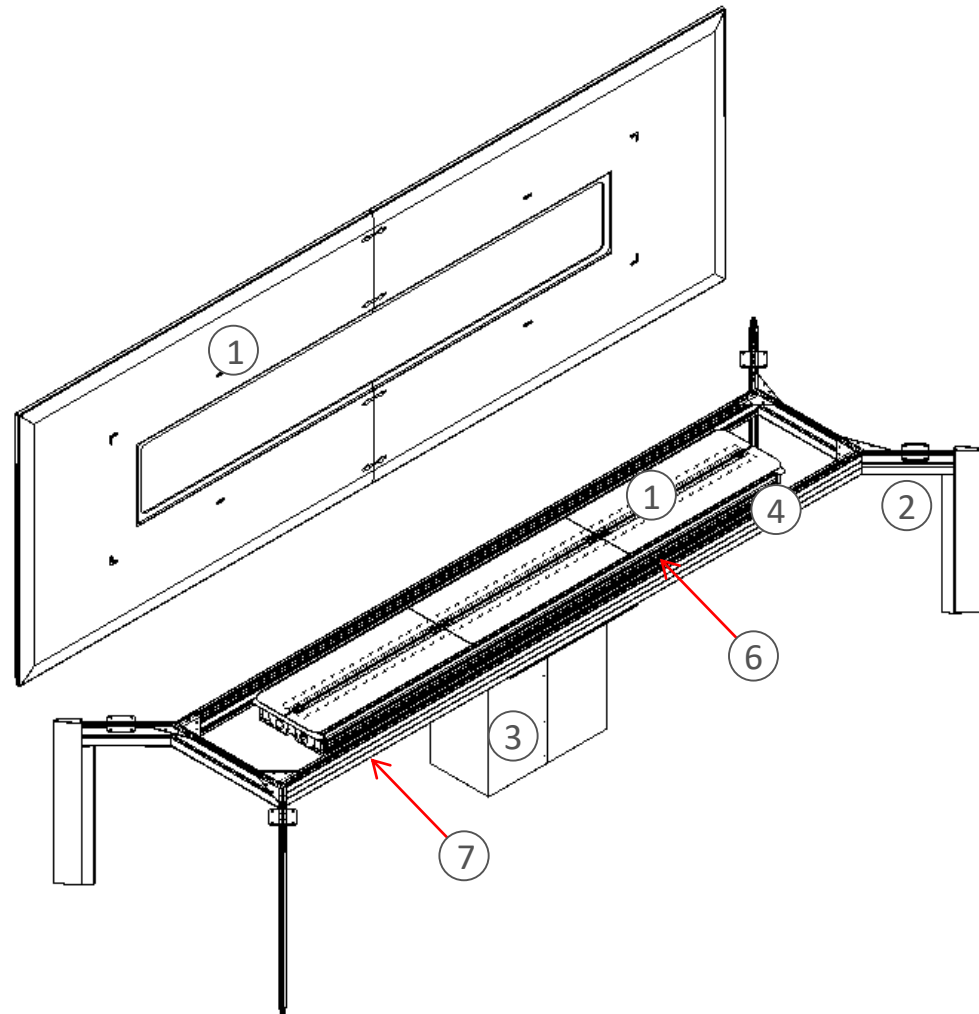
# Flow XT Table – Post Leg Base





# Flow XT Table – Post Leg Base Exploded

1. Top
2. End Base
3. Center Base
4. Main Beam
5. Power Island
6. Power Island Mounting Shroud
7. Beam Shroud



# Installation of Post Leg Base

- Slide the clamp bars from the end base into a beam.
- Tighten the screws that fasten the end bases to the beam.
- Then continue with Step #2 in instructions above.

