

NUCRAFT

Kai Installation Instructions

ID:

Before Beginning Installation

- Read through the entire instruction thoroughly
- A minimum of 2 persons is required for this assembly
- These instructions reflect typical assemblies. They may not match your specific configuration.
- NOTE: Tables 96" and smaller will have the base shipped assembled.

Required Tools

- Drill Driver
- #2 and #3 Phillips Bit
- ¼" – 1/8" – 1/16" Allen Wrench
- 5/32" Drill Bit
- Laser Level

Provided Hardware

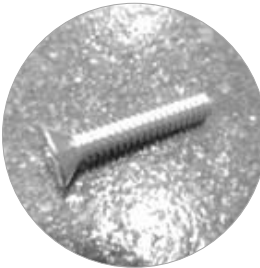
Hardware 1



Hardware 4



Hardware 2



Hardware 5



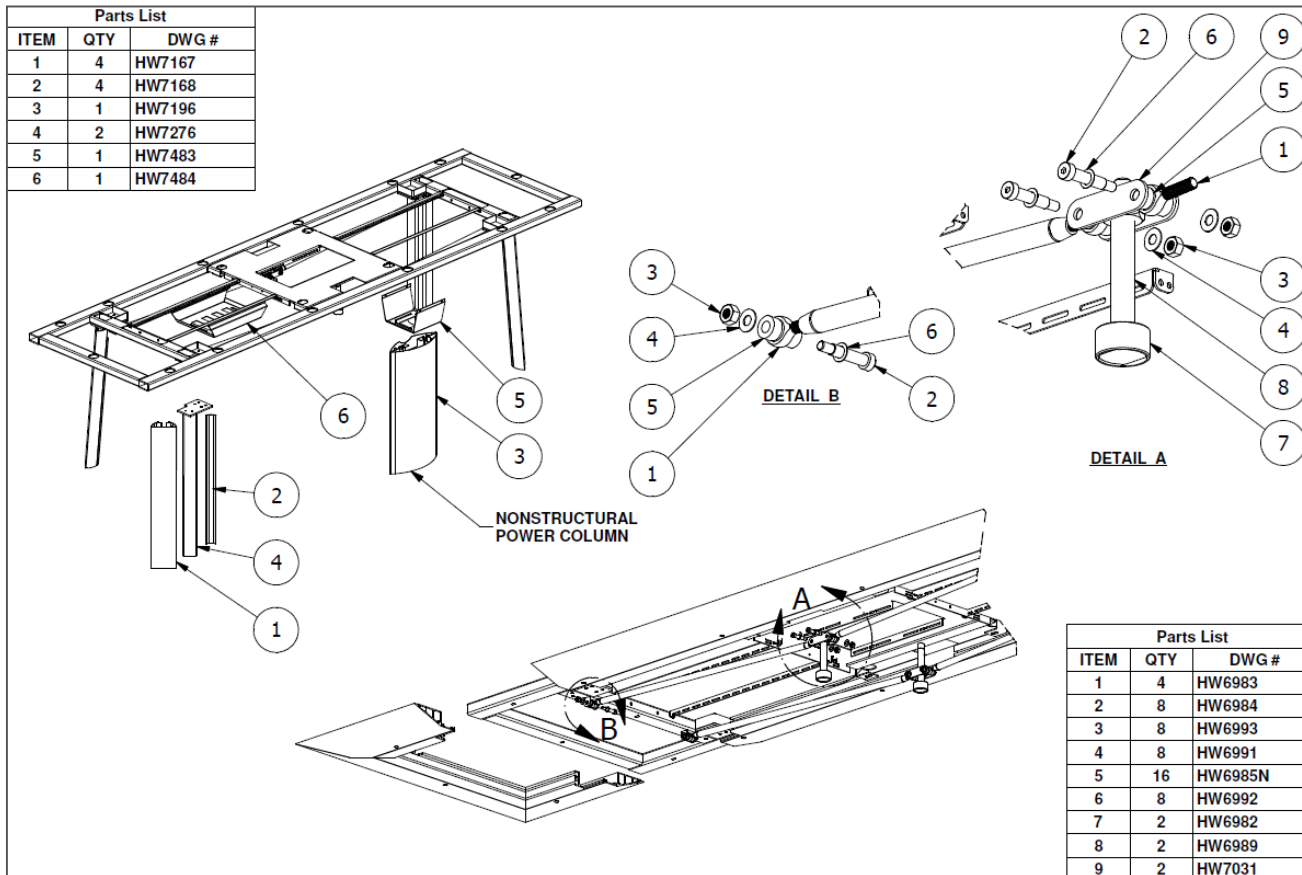
Hardware 3



Hardware 6

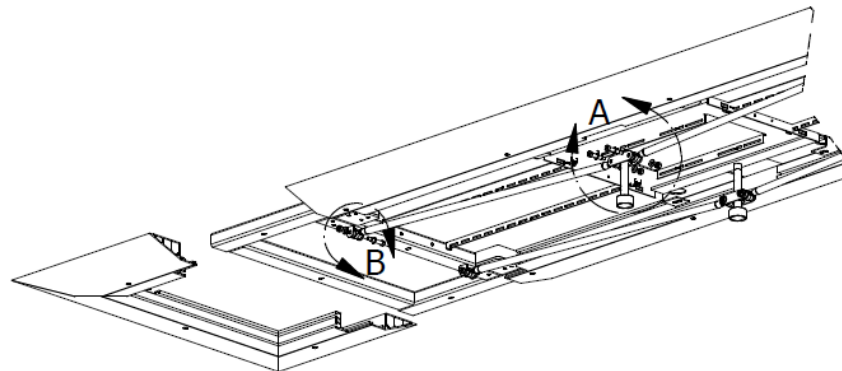
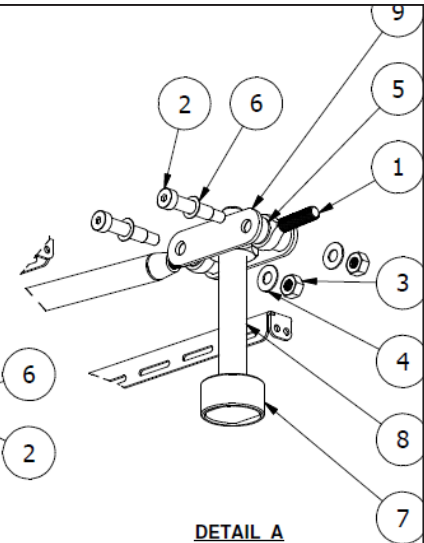
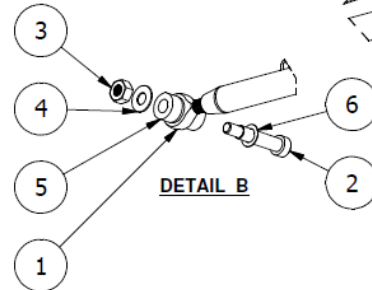
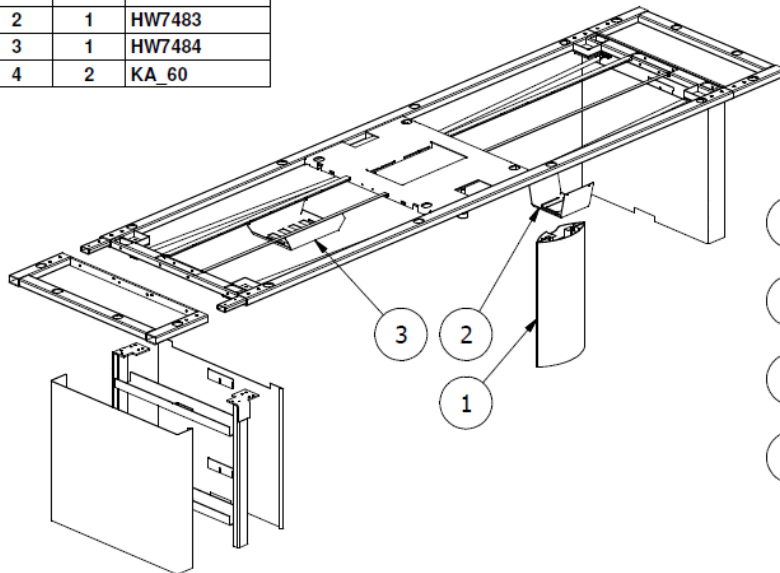


Kai Table with Metal Legs



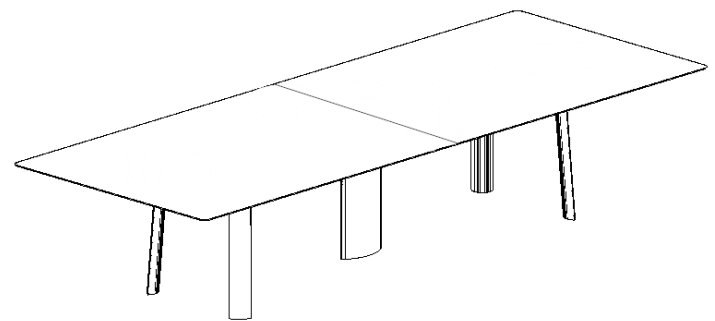
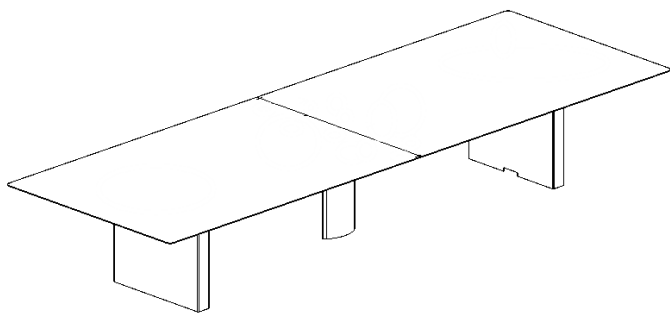
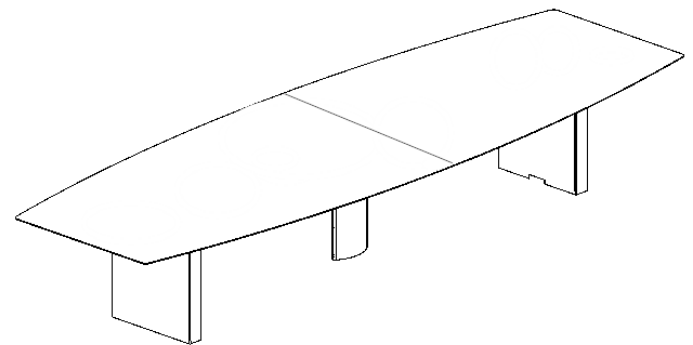
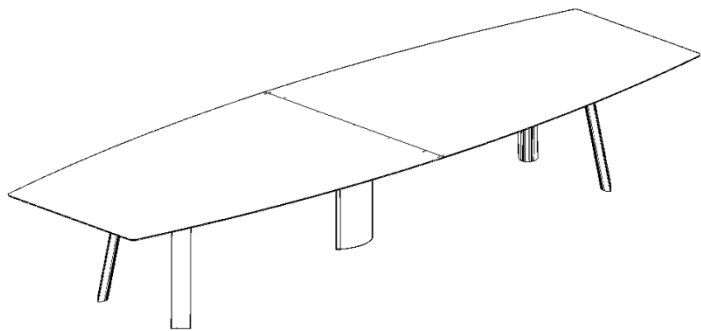
Kai Table with Panel Base

Parts List		
ITEM	QTY	DWG #
1	1	HW7196
2	1	HW7483
3	1	HW7484
4	2	KA_60



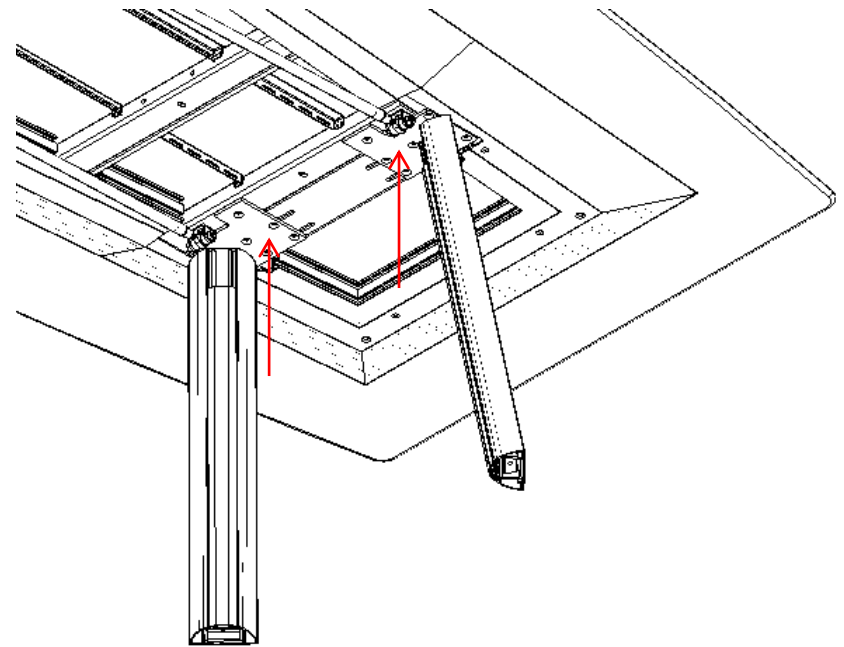
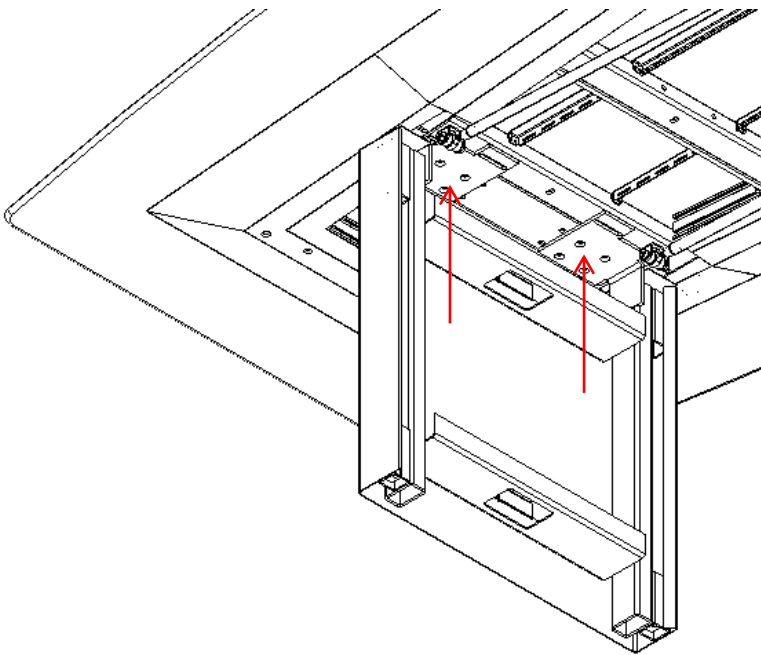
Parts List		
ITEM	QTY	DWG #
1	4	HW6983
2	8	HW6984
3	8	HW6993
4	8	HW6991
5	16	HW6985N
6	8	HW6992
7	2	HW6982
8	2	HW6989
9	2	HW7031

Kai Table



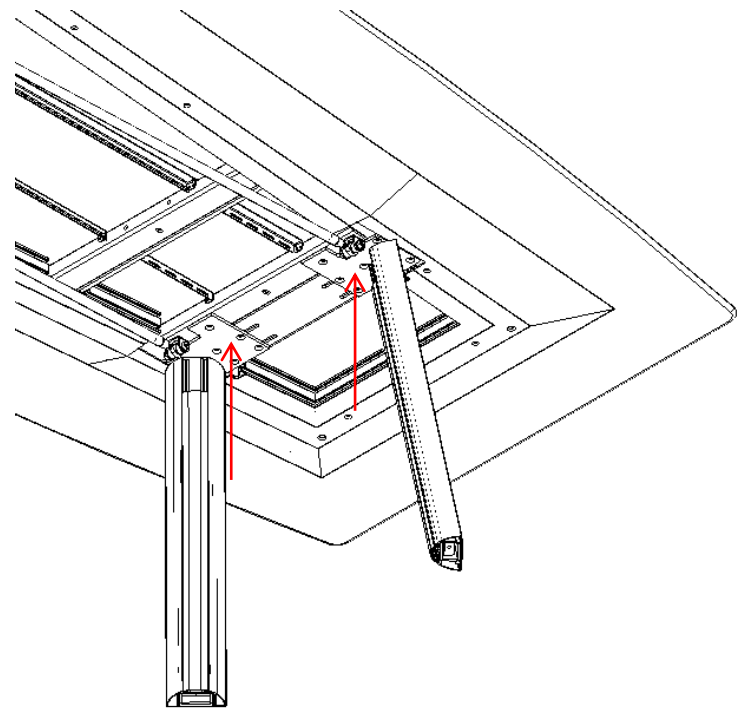
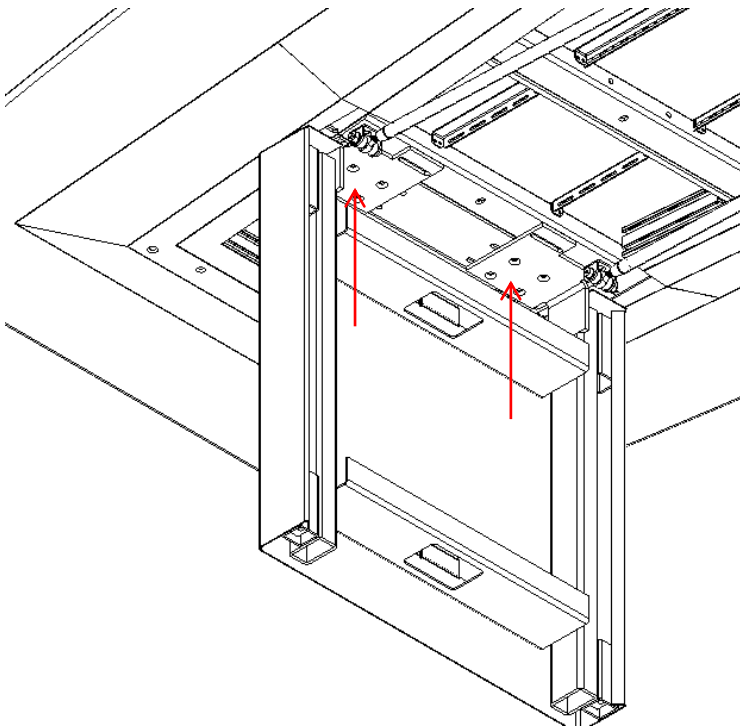
Step 1A: Attach Legs

- Metal Legs – Align and secure the top of the leg plate to the 4 adjacent holes on the frame.
- Panel Base – Attach with the 6 fasteners to the adjacent holes on frame.
- NOTE: Table smaller than 180" attach to center frame, and tables larger than 180" attach to end frame.



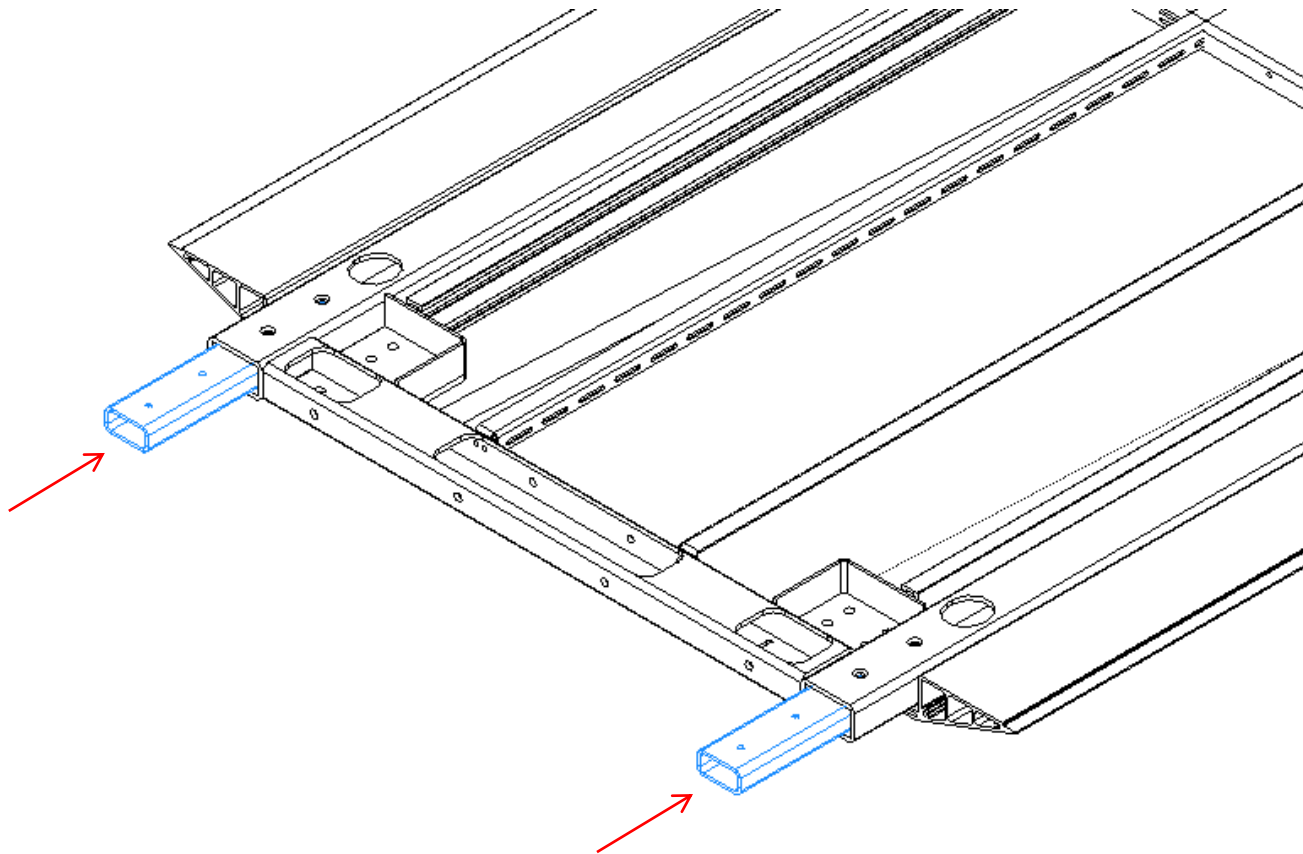
Step 1B: Attach Leg – Boat Table

- Metal Legs – Secure the top of the leg to the frame location, using the bracket with two additional holes.
 - NOTE: Two additional fasteners are provided for this.
- Panel Base - Attach with the six fasteners in designated location.
 - NOTE: Legs are attached to the end frame, not the center frame for boat shape tables.



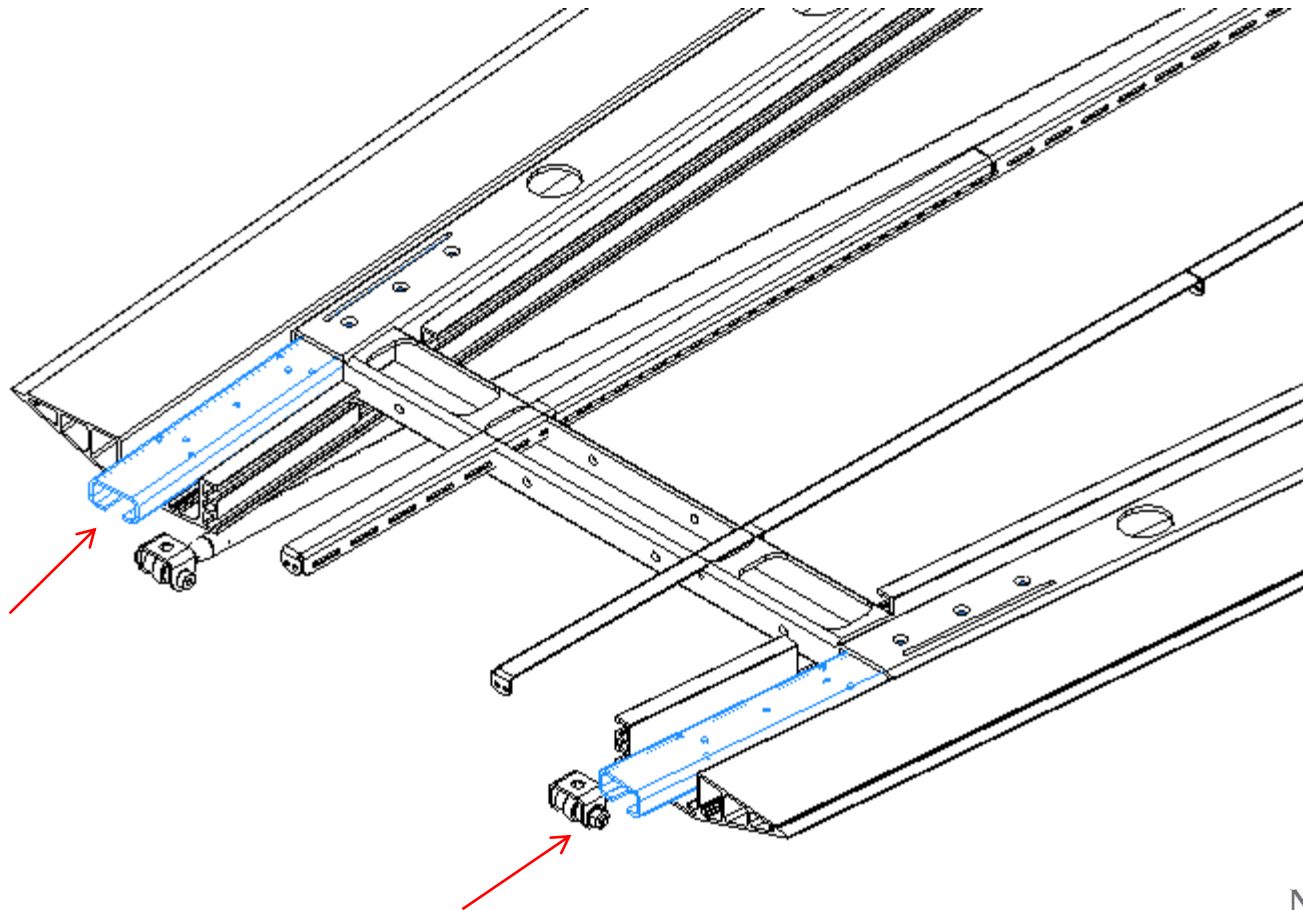
Step 2A: insert Attachment Keys

- At all frame seams, slide attachment key into each end of each base.
- Push the two pieces of frame beams together, and secure using counter-sink screws (hardware 1) into the 4 holes.



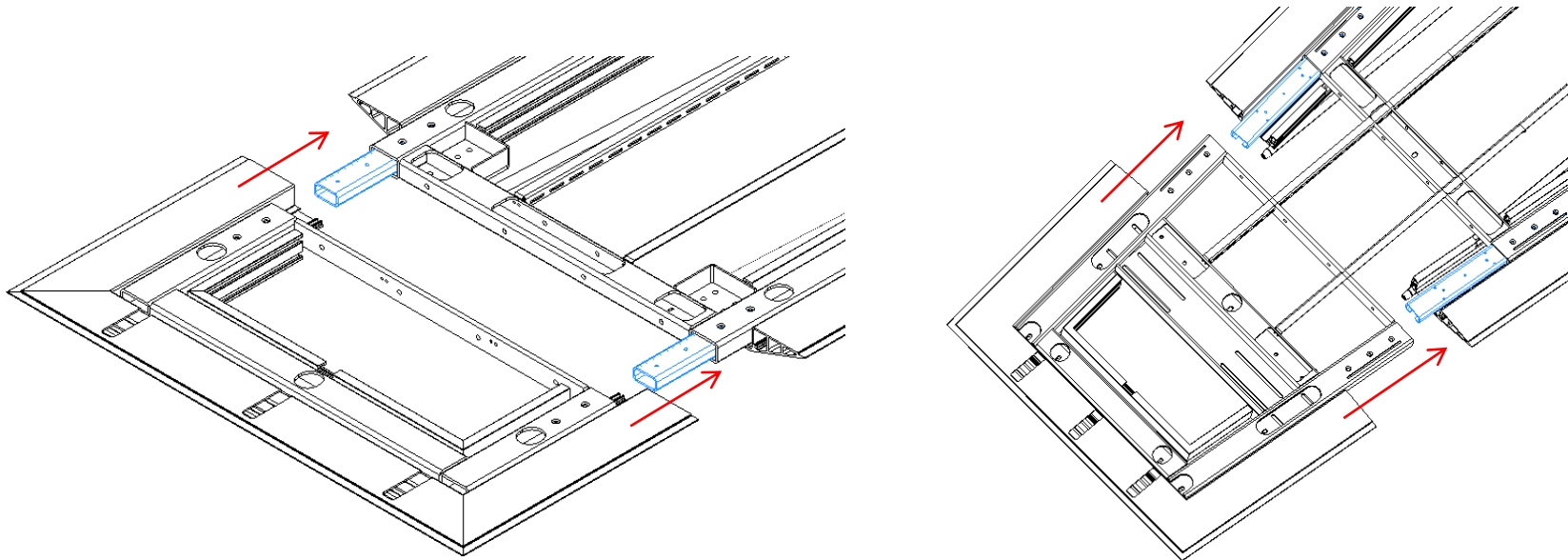
Step 2A: Insert Attachment Keys – Boat Style

- At all frame seams, slide attachment key into each end of the beam.
- Push the two pieces of frame beam together, and secure using counter-sink screws (hardware 1) into the 6 holes.



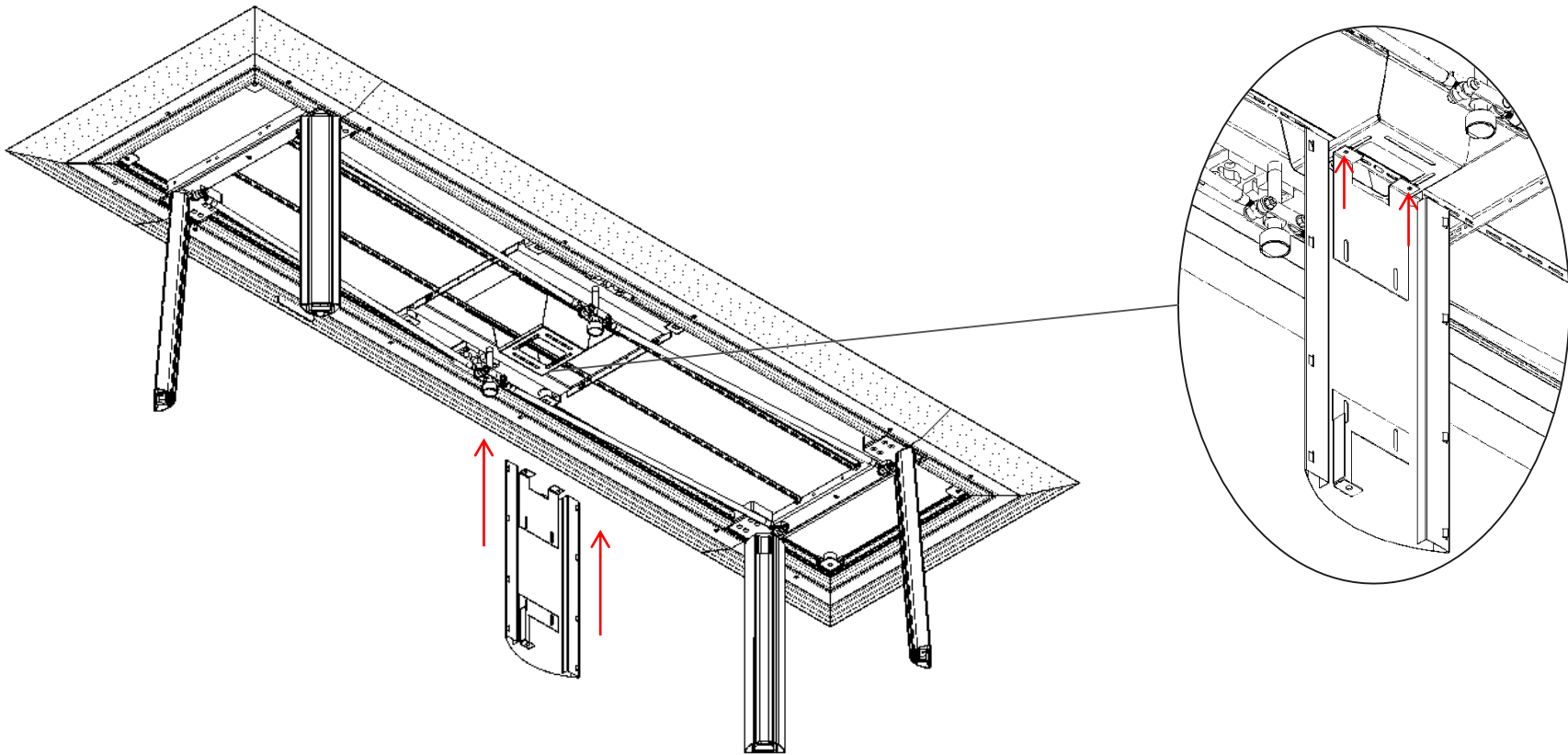
Step 3: Attach End Pieces

- Slide the end piece onto the attachment key. Flush the end of the base.
 - NOTE: End piece and end frame piece are labeled with numbers.
- Use two flat head counter-sink screws (hardware 1) on each side of the end piece to secure.
- Use 4 bolts and nuts (hardware 3) on the front of the end piece to secure to the remaining center frame section.



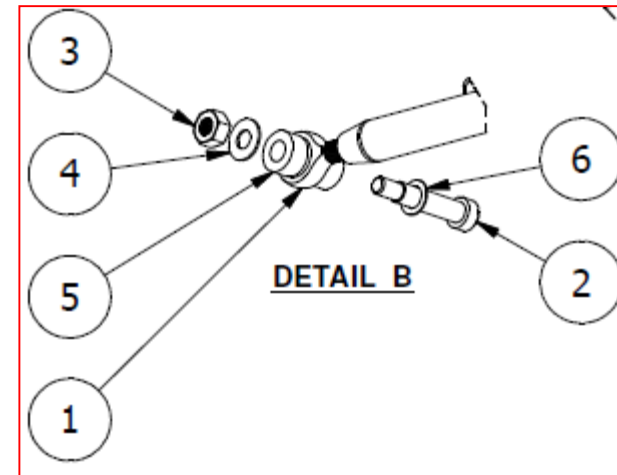
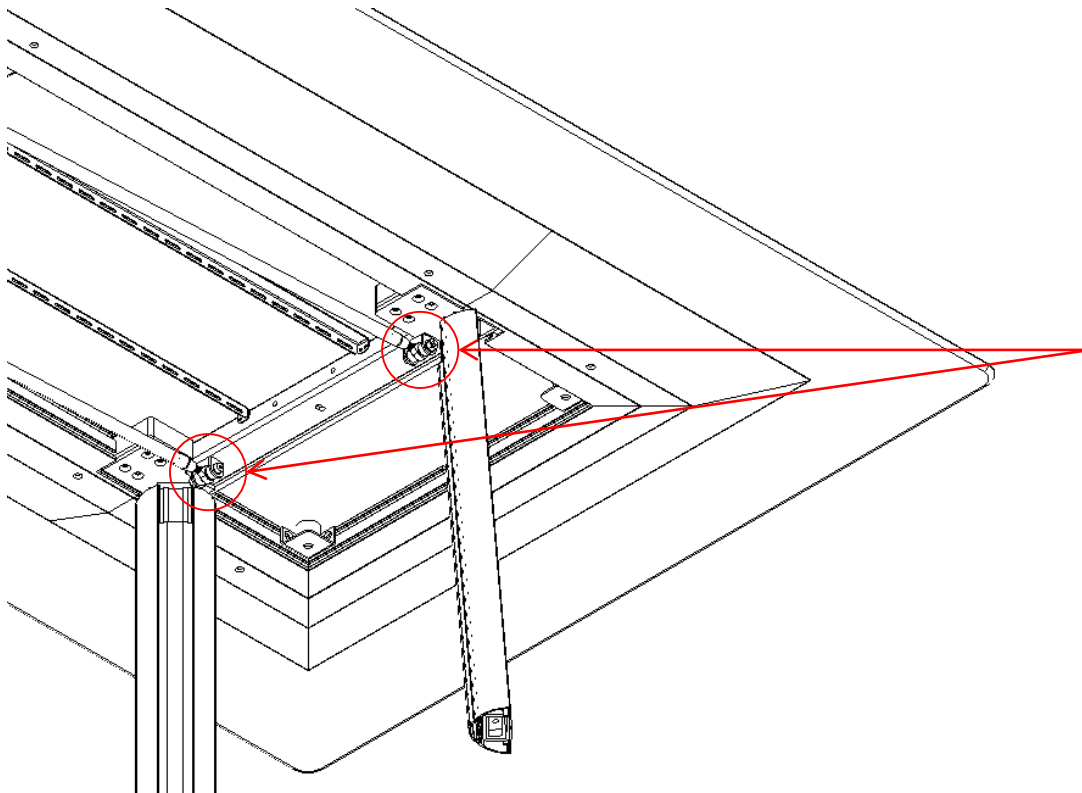
Step 4: Attach Center Column (if applicable)

- Center column arrives assembled, but not attached to table.
- Attach the angled plate to the table frame using hardware 3.



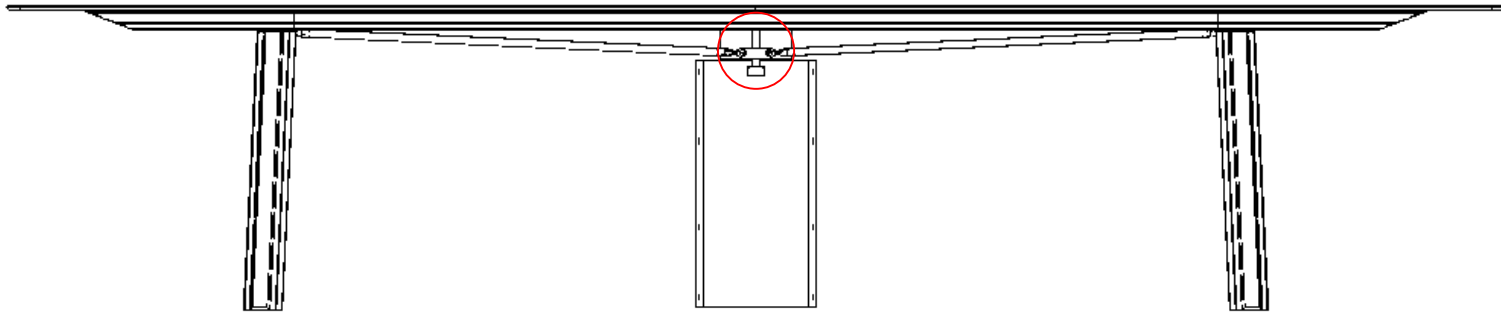
Step 5: Attach hardware to End of Base

- Remove the nut on the outside of the flanges.
- Pull the horizontal bolt to slightly move it out. Then insert the eye-bolt.
- Place second shoulder nut (spacer) onto the horizontal bolt to secure the eye-bolt.
- Secure the connection by tightening the washer and nut on the outside of the flange.



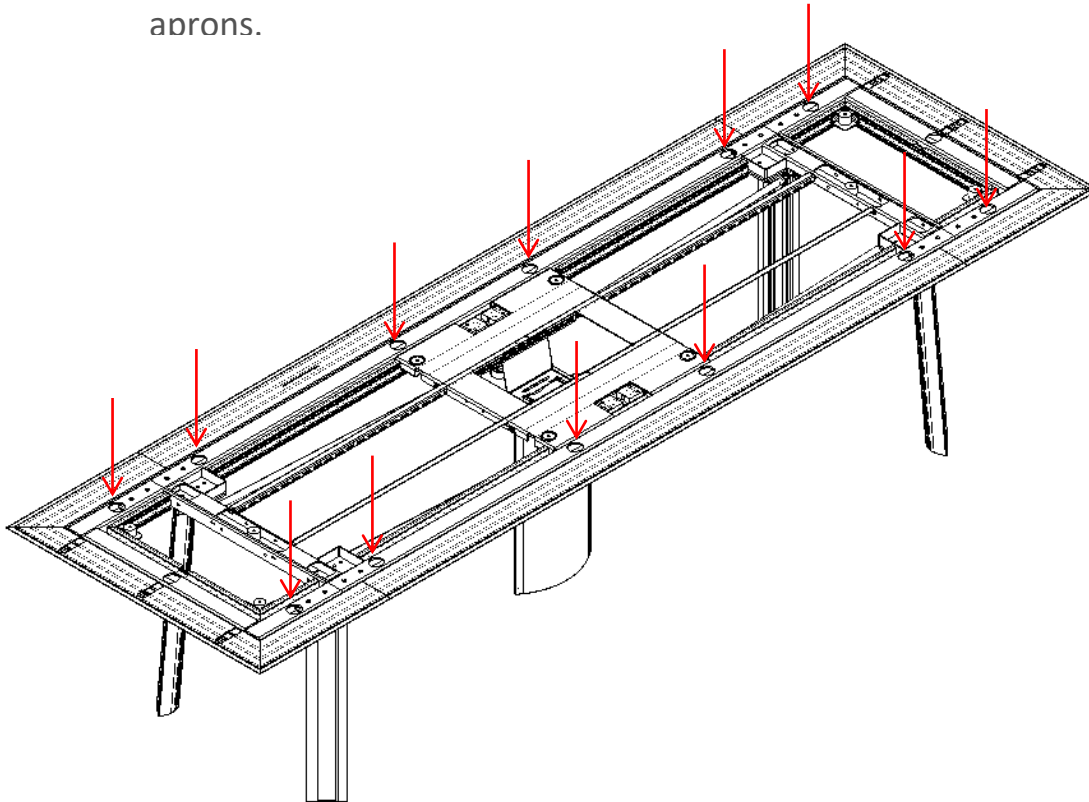
Step 6: Adjust Camber Rods

- Each rod has one end that is reverse threaded. As the rod is rotated, it will pull the jack screw toward the top.
- Rotate the rods to tighten the jack bolt to the top.
- When tightened, the thread bolt should be tight against the bottom of the top.



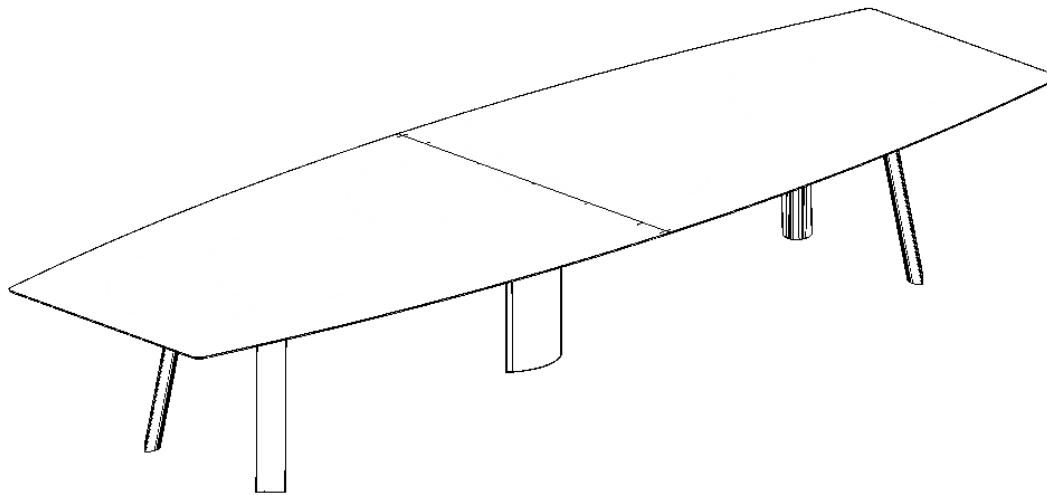
Step 7: Attaching Aprons

- Align holes of the apron with the holes on the top surface of the base.
- Insert flat-head counter-sink screws (hardware 2) through the apron and base frame, from the underside of the apron. Secure with nuts.
- Repeat on the opposite side.
- Same procedure for the end extrusions. Only the end extrusions have pins that slide into the side aprons.



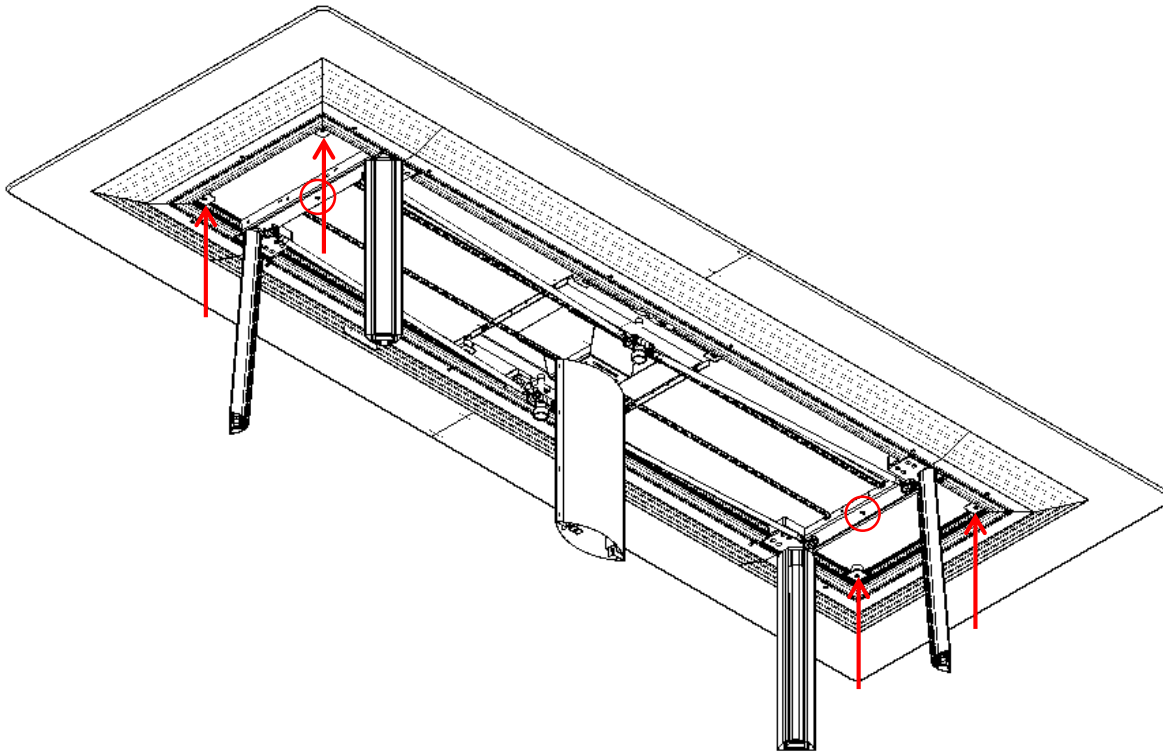
Step 9: Top

- Place the top onto the base.
- Before completely tightening the hardware, use a level to check the table is level. Make adjustments to the glides on the bottom of the legs.
- NOTE: Glass tops are attached the same. They will sit on bumpers.



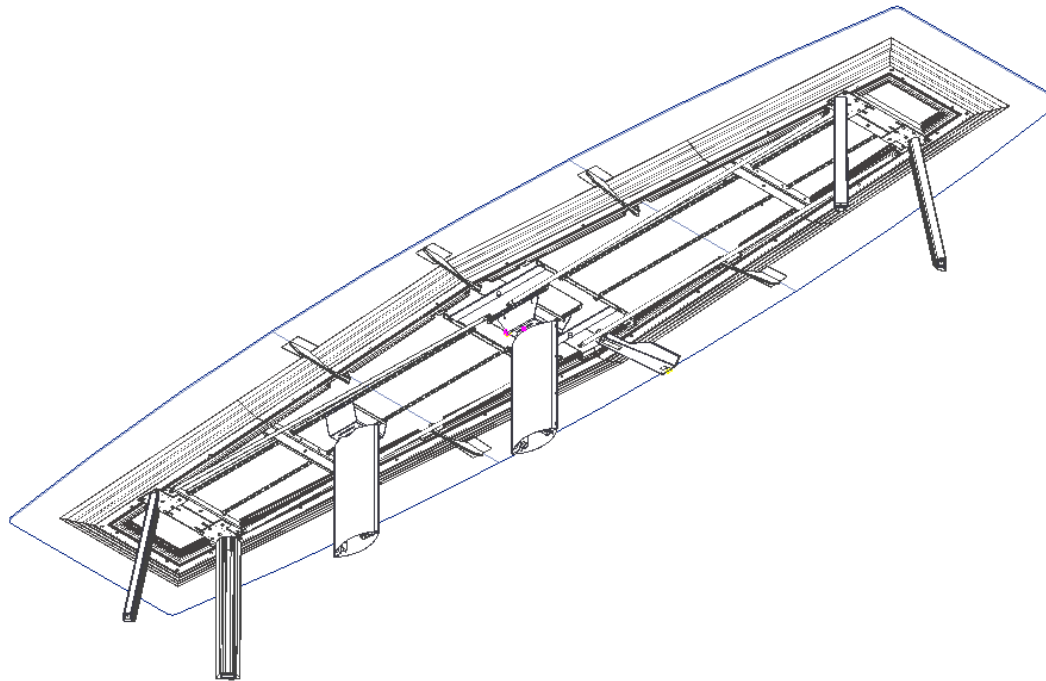
Step 10: Secure Top to Base

- Insert screws into pucks (hardware 6) at each corner support to secure the top.
 - Larger tables will have multiple sets of pucks.
- Insert screw into the center of the horizontal bar.
- NOTE: Insert with caution. Too much rotation can affect the top surface.



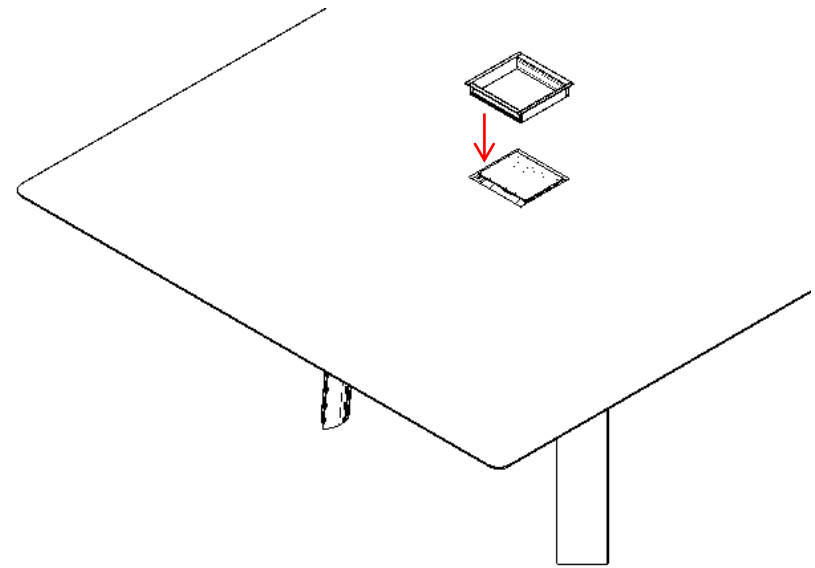
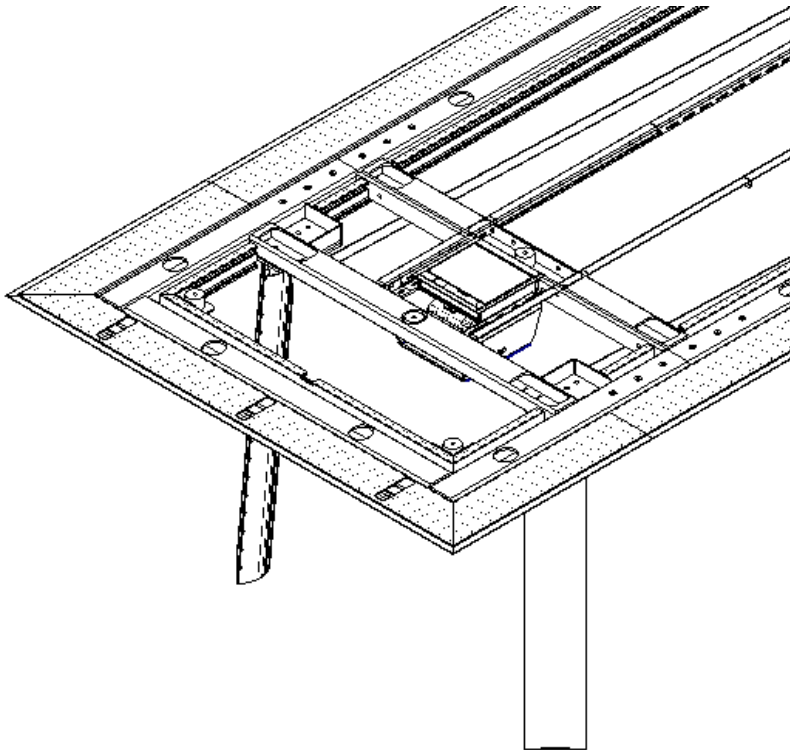
Step 11: Glass Arm Supports

- For glass tops only, there is an extra set of support arms.
- These are to be placed at the seams of the glass by hooking around the apron and twisting the knob screws into the rail on the back of the apron.



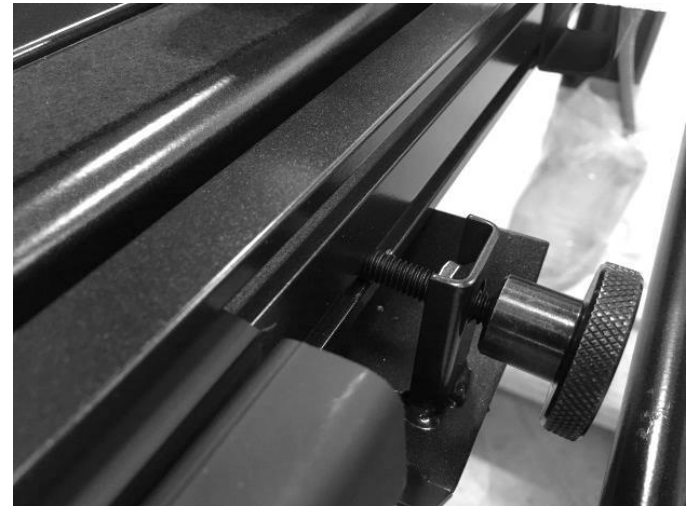
Step 11: Inserting Power Matrix Bezels

- If applicable:
 - Power Matrixes are installed onto base.
 - Tops will have a bezel with each power cove.
 - The bezels are dropped into place.



Step 12: Installing Power Rail

- If applicable:
- Secure the front edge of the power rail onto the Kai base.
- Then secure the power rail by tightening the bolt in the back.
 - The bolt will be inserted into the extrusion, which allows it to be installed anywhere on the edge of the table.



Step 13: Installing Power Connections

- If applicable:
 - Wire management will wrap around each end of the base as shown.

