

TAVOLA STANDING HEIGHT & CREDENZA

(rev) 10-2014

NUCRAFT

Installation Instructions

Before Beginning Installation

- Read through the entire instruction thoroughly
- A minimum of 2 people are required for this assembly
- These instructions reflect typical assemblies; They may not match your specific configuration

Required Tools and Hardware

- Level
- PODS For Glass Handling (where applicable)

Tavola Standing Height Table

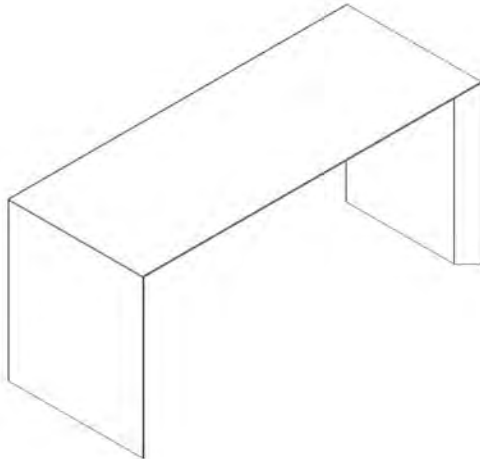


Tavola Standing Height Exploded

1. Frame
2. Side Panels
3. Top

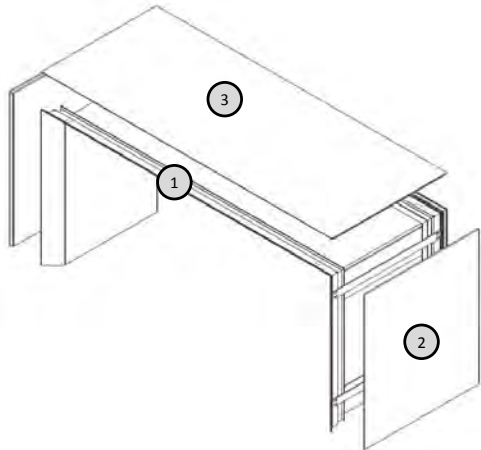


Tavola Credenza

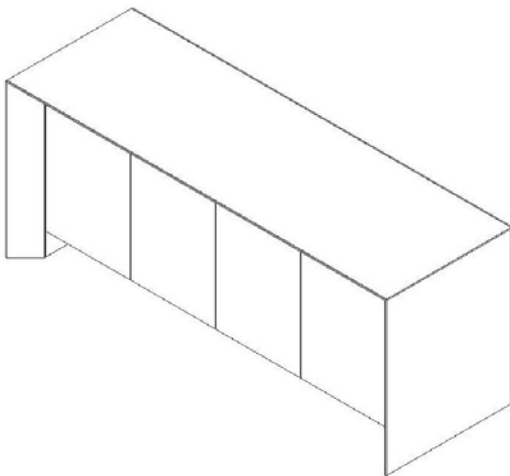
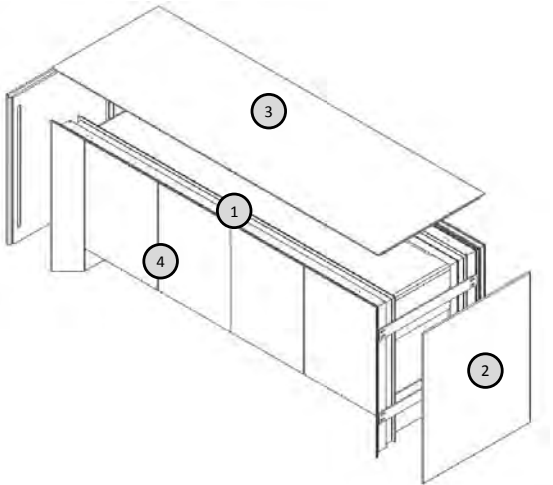


Tavola Credenza Exploded

1. Frame
2. Side Panels
3. Top
4. Case



Step 1

Setting Glass

- Locate credenza in its final position
- Make sure and level
- Remove the cardboard spacers
- Using suction pods, set the top glass in place.

